



**AIRBUS**



Booklet available in English on  
Heft in deutscher Sprache erhältlich auf  
Livret disponible en français sur  
Libretto disponibile in italiano su  
Folleto en español disponible en  
如需中文版手册, 请访问



FR

**DONNEZ  
OU  
RECYCLEZ**



ASSOCIATION  
OU



MAGASIN  
OU



DÉCHÈTERIE

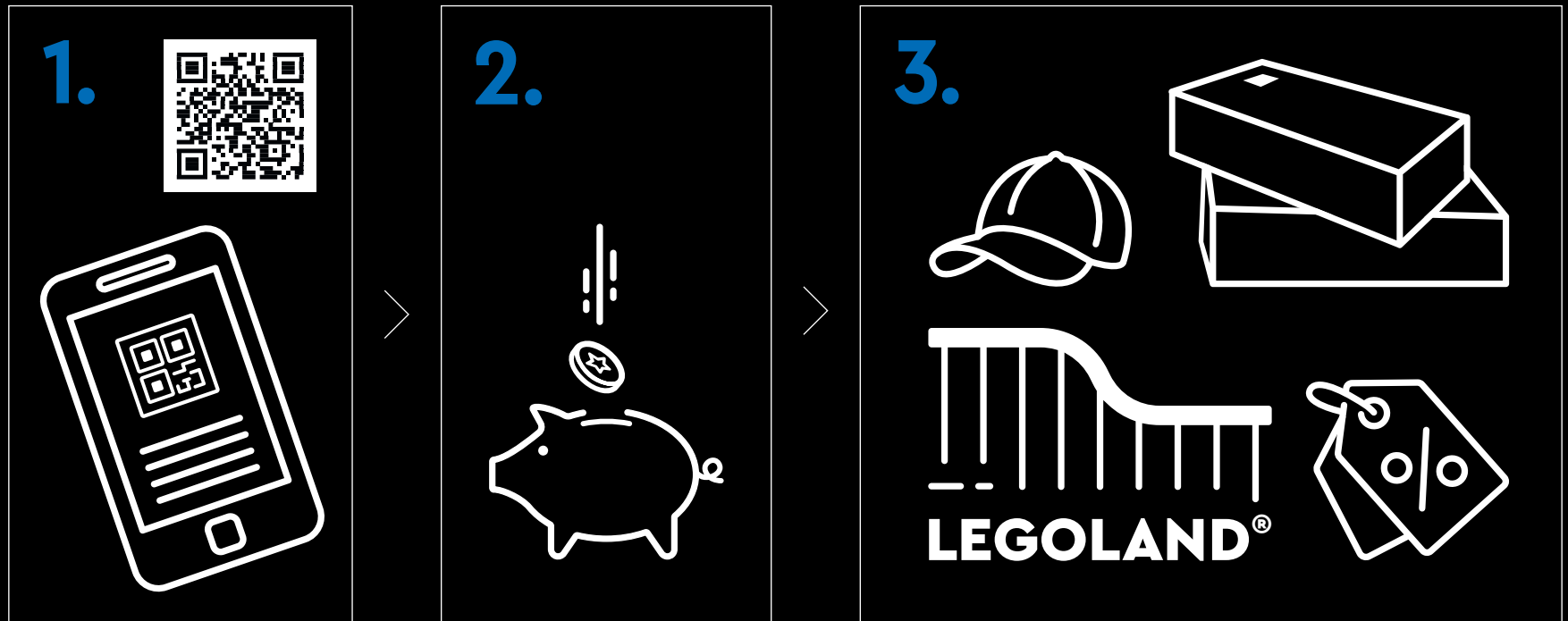
Adresses sur [quefairemesdechets.fr](http://quefairemesdechets.fr)



[LEGO.com/sustainable-packaging](http://LEGO.com/sustainable-packaging)



# LEGO® VIP



**1.** Sign up **2.** Earn points for purchases **3.** Redeem points for rewards, experiences, discounts & more | **1.** Melde dich an **2.** Sammle Punkte bei jedem Kauf **3.** Löse die Punkte für Belohnungen, Erlebnisse, Rabatte und Ähnliches ein | **1.** Inscrivez-vous **2.** Gagnez des points lors de vos achats **3.** Échangez vos points contre des récompenses, des expériences, des remises et bien plus encore | **1.** Iscriviti **2.** Guadagna punti con i tuoi acquisti **3.** Riscatta punti per premi, esperienze, sconti e altro ancora | **1.** Regístrate **2.** Gana puntos por tus compras **3.** Canjea puntos por recompensas, experiencias, descuentos y mucho más | **1.** Registe-se **2.** Ganhe pontos em compras **3.** Troque os pontos para prémios, experiências, descontos e muito mais | **1.** 注册 **2.** 购物赚积分 **3.** 用积分兑换奖励、体验、折扣等 | **1.** Zarejestruj się **2.** Zdobywaj punkty za zakupy **3.** Wymieniaj punkty na rabaty, przygody i inne nagrody | **1.** Zaregistrujte se **2.** Sbírejte body za nákupy **3.** Vyměňujte body za odměny, zážitky, slevy a spoustu dalšího | **1.** Zaregistrujte se **2.** Získavajte body za nákupy **3.** Uplatnite si body a získajte odmeny, rôzne zážitky, zľavy a ešte viac | **1.** Regisztrálj **2.** Szerezz pontokat minden vásárlással **3.** Váltsd be pontjaidat jutalmakra, élményekre, kedvezményekre és egyebekre | **1.** Înscrite-te **2.** Câștigă puncte pentru achiziții **3.** Valorifică puncte pentru recompense, experiențe, reduceri și multe altele | **1.** Регистрируйте се **2.** Получайте точки за покупки **3.** Используйте точки за награды, услуги, отстъпки и т.н. | **1.** Reģistrējies **2.** Pelni punktus par pirkumiem **3.** Izmanto punktus, lai saņemtu balvas, izklaides iespējas, atlaides un daudz ko citu | **1.** Registreeru **2.** Teeni ostude eest punkte **3.** Lunasta punktide eest preemiad, elamused, allahindlused ja muu | **1.** Užsiregistruokite **2.** Pelnykite taškų už pirkinius **3.** Panaudokite taškus atlygiui, funkcijoms, nuolaidoms ir ne tik





**WELCOME ABOARD  
THE CONCORDE**





Leonardo Da Vinci sketched his famous flying machine in 1487, but it would take another 400+ years for the age of powered flight to begin in the early 1900s. Since then, aviation technology has soared to new heights, with each new decade bringing monumental breakthroughs in the field. One of the most significant is the unparalleled Concorde, the world's first commercial supersonic aircraft.

The first Concorde prototype completed a successful test flight from Toulouse, France on 2 March 1969. Just a few months before the first manned moon landing and a mere 60 years after Louis Blériot crossed the English Channel in one of aviation's first major feats. Commercial passenger travel at supersonic speed (up to Mach 2, twice the speed of sound), near the edge of space, was within reach and on track to become accessible worldwide.

Developed before computer technology made 3D design rendering possible, the innovative Concorde design and mechanical features were calculated, tested and refined to perfection by visionary engineers representing the pinnacle of aviation technology and expertise. On 21 January 1976, the first two commercial Concorde took off simultaneously from Paris and London, marking a historic milestone for a strong, collaborative venture piloted by the British and French governments.

On 24 October 2003, the last Concorde flight departed from New York to cross the Atlantic one final time before officially retiring on 26 November of that year. With its 27 years in service, Concorde paved the path to a future in aviation that we can only begin to imagine.

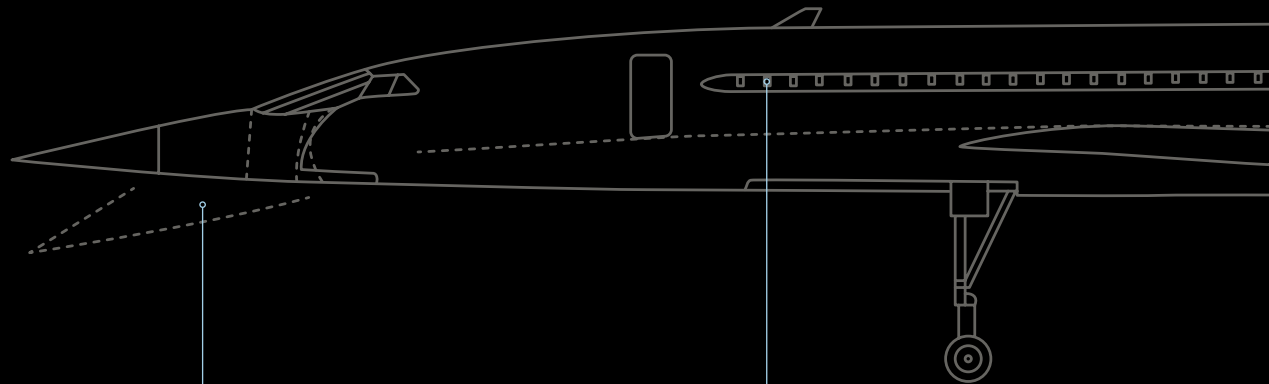
# TWO NATIONS ONE VISION

With the advent of technology permitting aircraft to reduce flight times by half, a shared vision of supersonic passenger travel was brought to life through an agreement signed between the French and British governments in the early 1960s. Design, production and assembly were shared between the UK's British Aircraft Corporation and France's Sud Aviation (predecessor of Airbus). Engine design and development were entrusted to SNECMA and Rolls Royce.

The Concorde program definitively established European aviation engineering as a cutting-edge industry. Many firsts introduced on the Concorde would find their way onto commercial aircraft such as the A300 and A320 families and become industry standards.



# FR UK



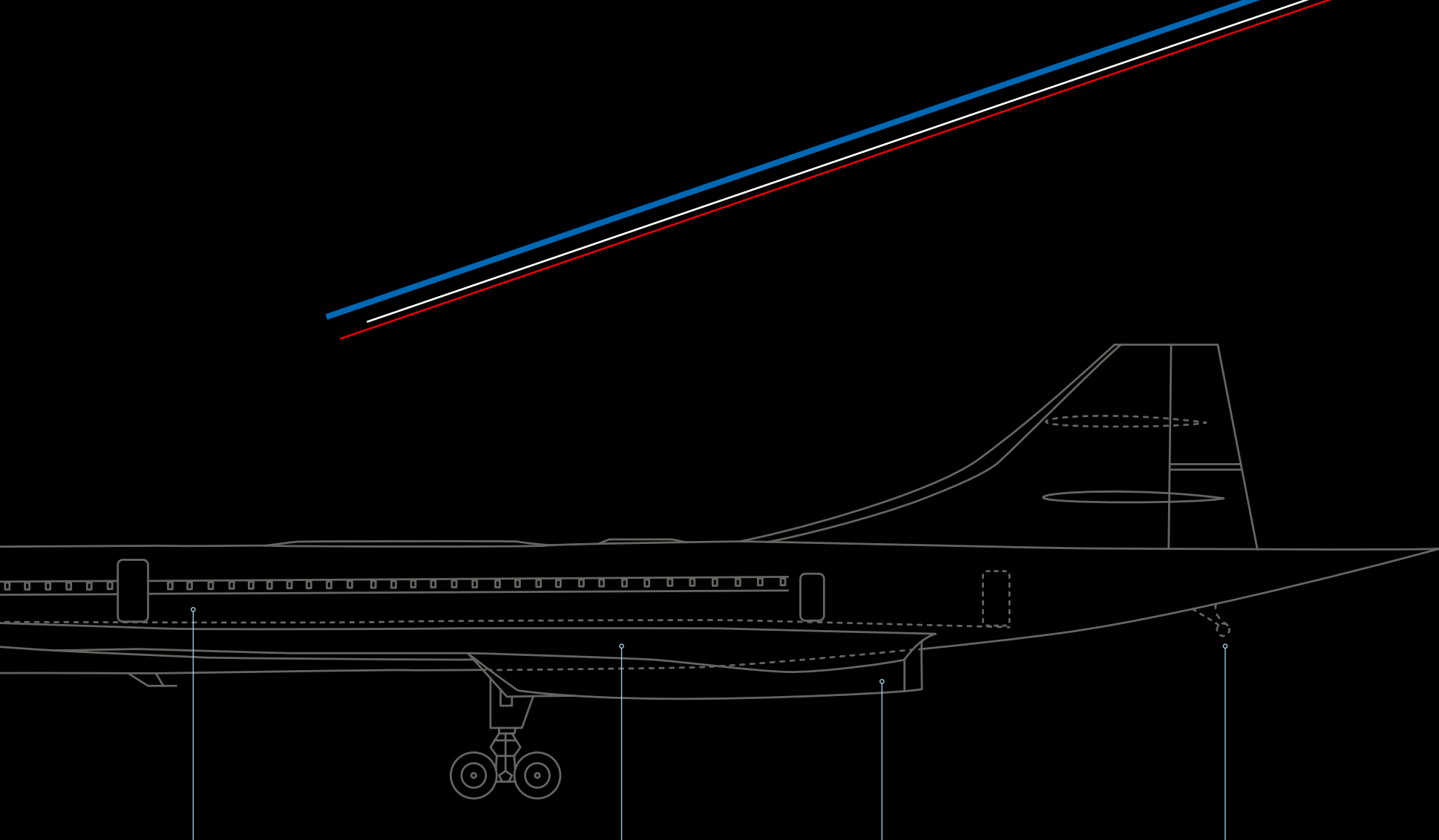
## **DROOP SNOOT**

*Lowering the nose and visor allows pilots to see the runway during landing. The maximum droop angle is 12.5 degrees.*

## **WINDOWS**

*Dry, cool air is circulated between the windowpanes to prevent the extreme heat generated on the outside of the plane from reaching the interior.*





**PASSENGER CABINS**

Passengers are seated in 40 forward cabin seats and 60 rear cabin seats.

**WINGS**

The uniquely shaped ogival delta wings are essential to creating lift during take-off and limiting drag while in flight.

**ENGINES**

Reheats allow engines an extra 20% of power for take-off and accelerating to maximum speed.

**TAIL LANDING GEAR**

Additional landing wheels in the tail accommodate the high angle of attack during take-off and landing.



# FROM THE DESIGN TEAM

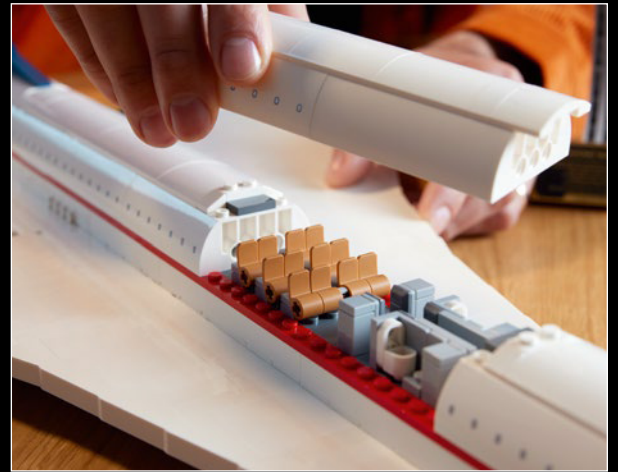


'The sleek lines and flowing surfaces necessary to slice effortlessly through the sound barrier have ensured Concorde remains in the history books, not only as a remarkable aircraft but also as an undisputed design icon. Those same surfaces, however, posed a real challenge in translating the design into LEGO® bricks! Accommodating such a unique shape alongside mechanisms for landing gear and the iconic droop snoot in the narrow fuselage forced us to really rethink how we build LEGO aircraft. But the Concorde was more than just an aircraft. An extraordinary collaboration between nations, it represented optimism, a vision for the future and it showed us what we can achieve when we choose to work together.'

*Milan Madge, LEGO® Senior Designer*

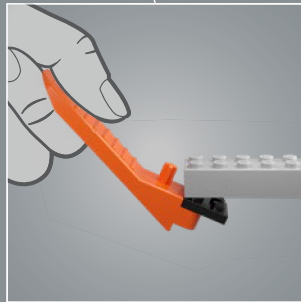
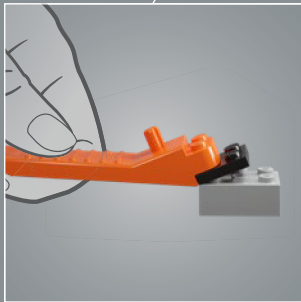
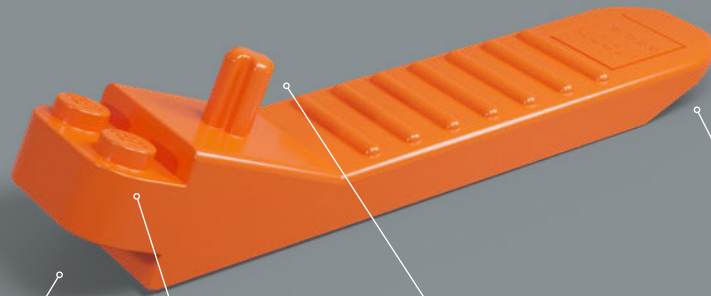
*The name **Concorde** represents harmony  
in both design, passenger experience  
and collaboration between nations*



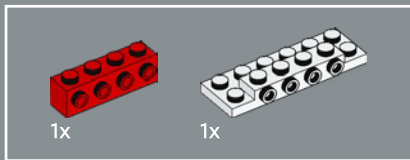


The LEGO® Icons  
Design Team

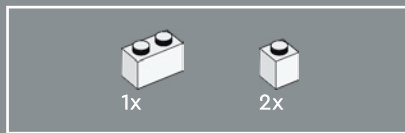
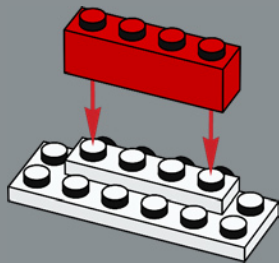




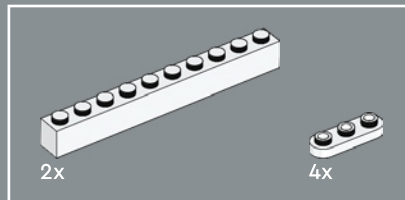
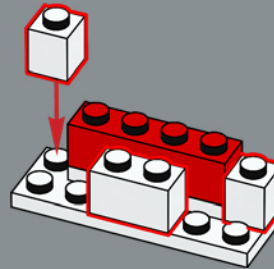




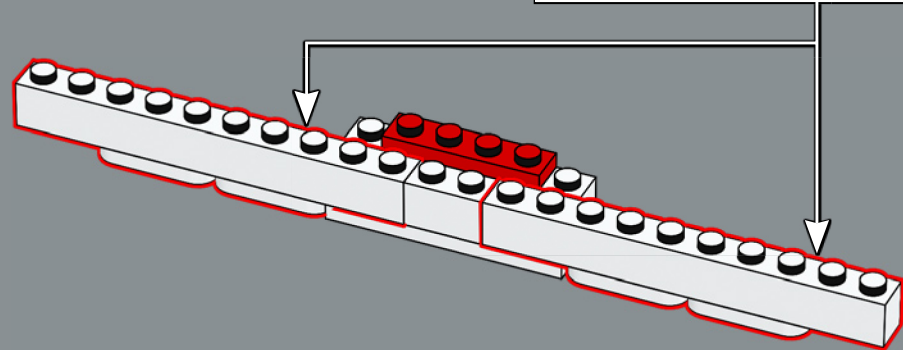
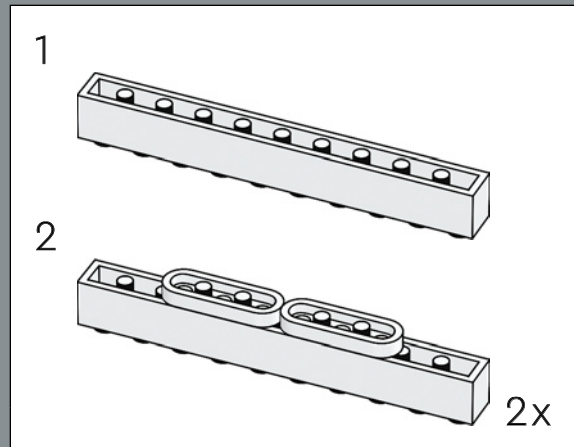
1

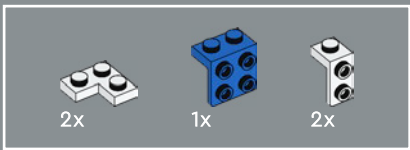


2

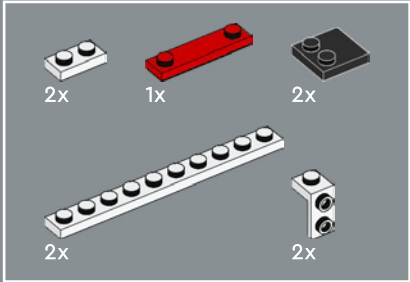
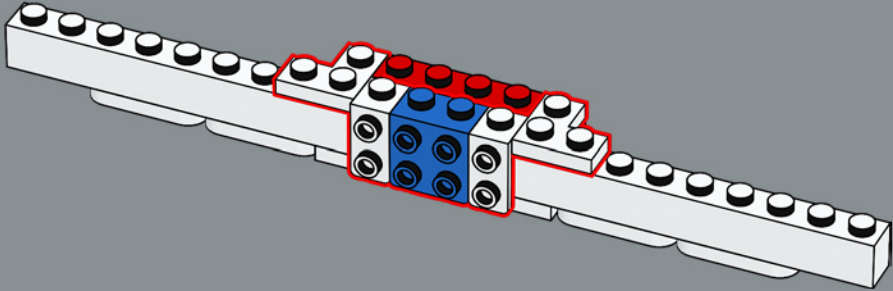


3

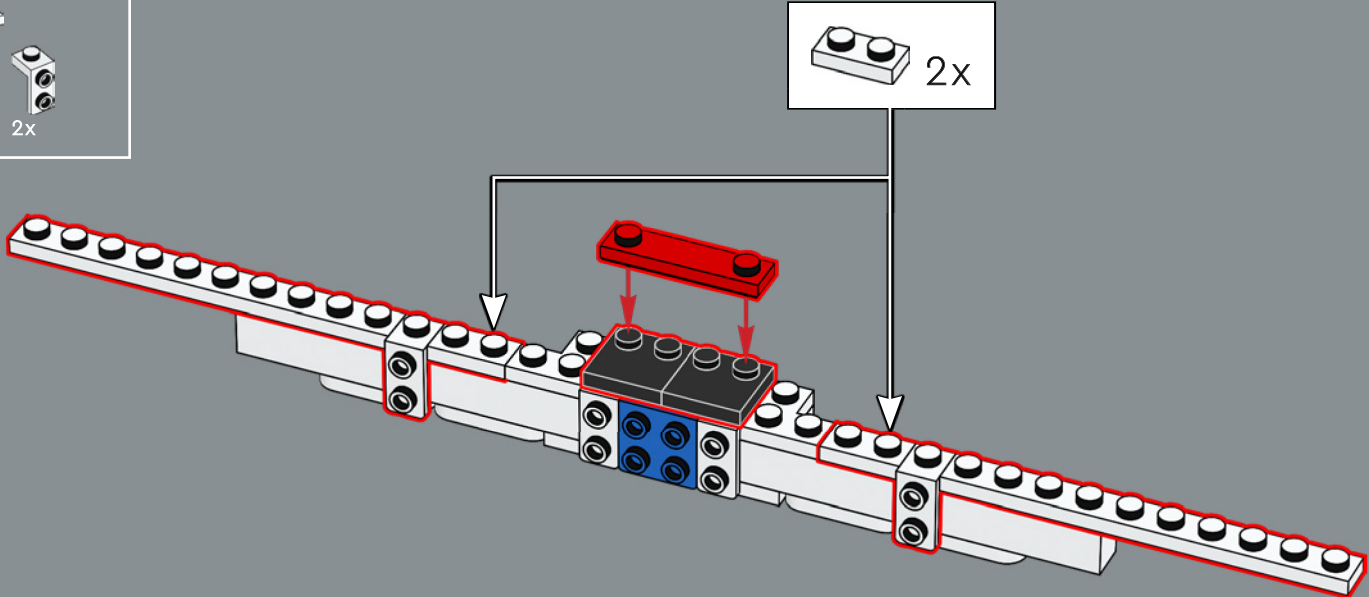


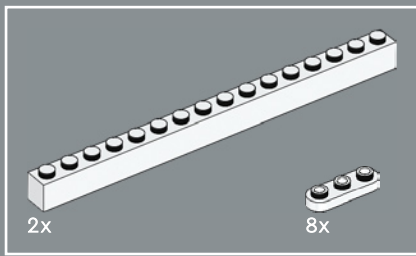


4

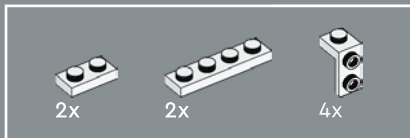
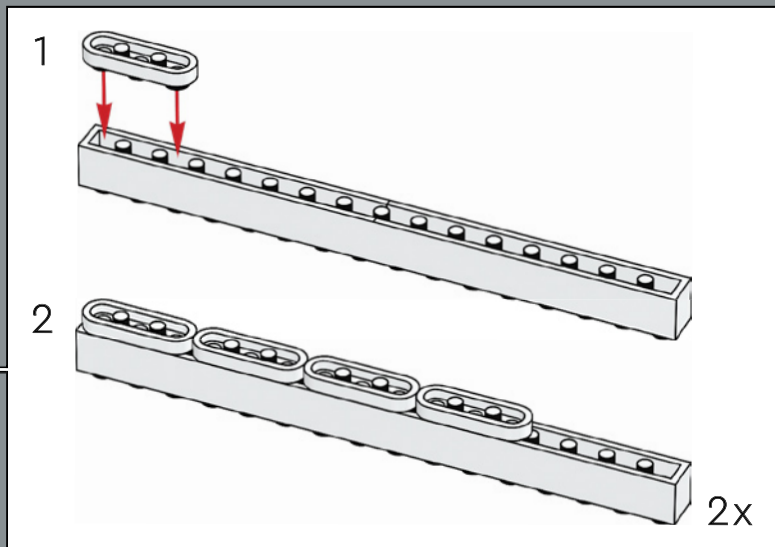
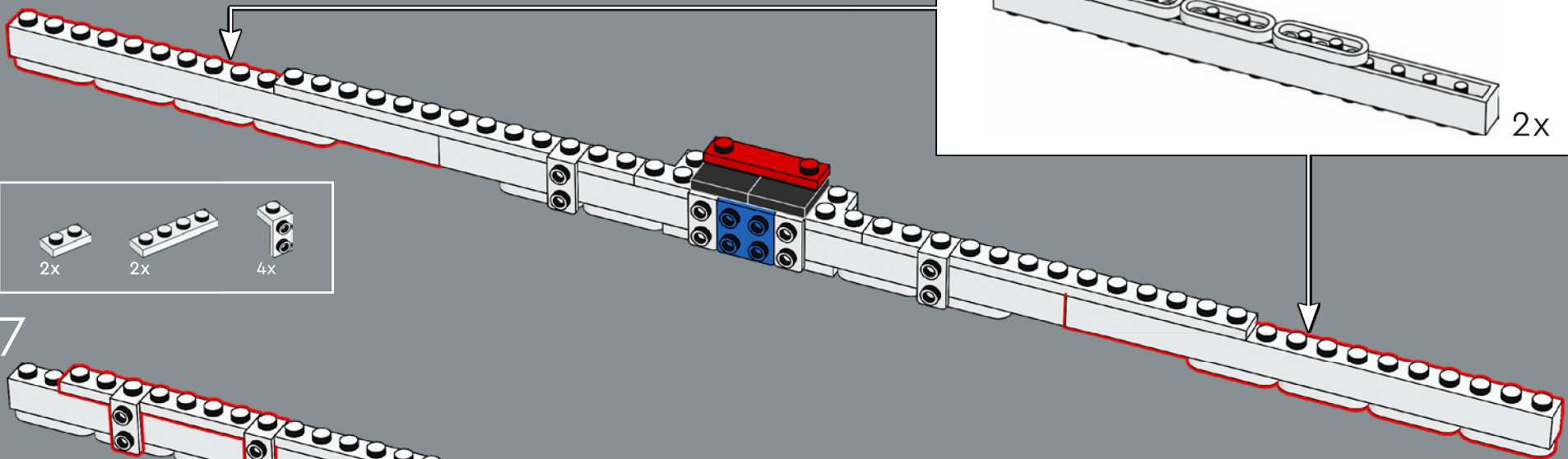


5

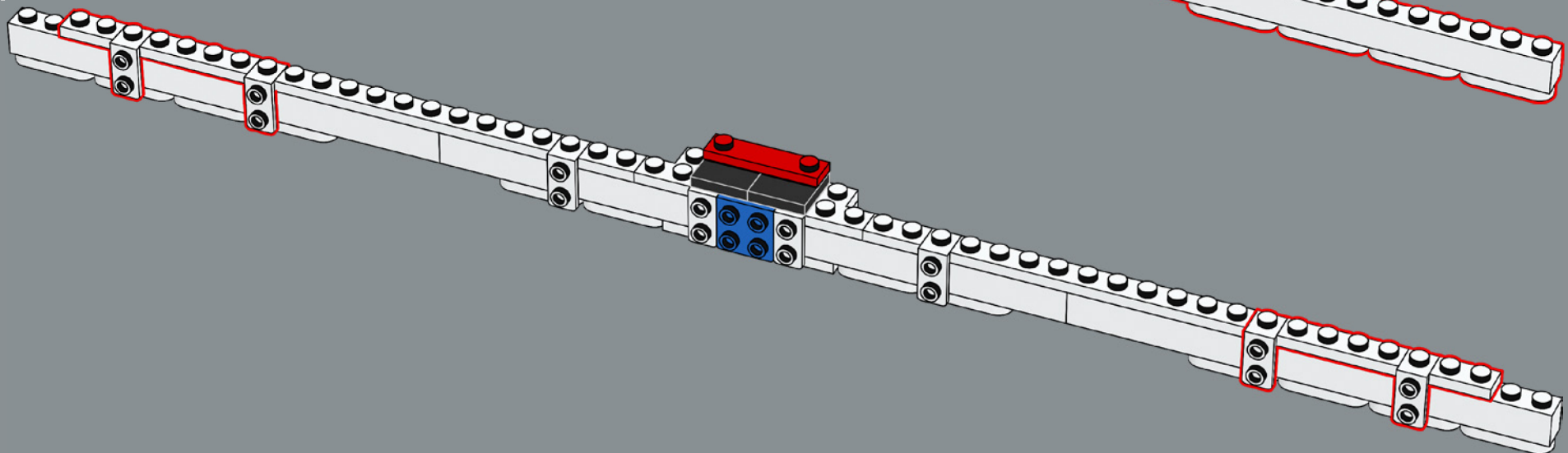




6

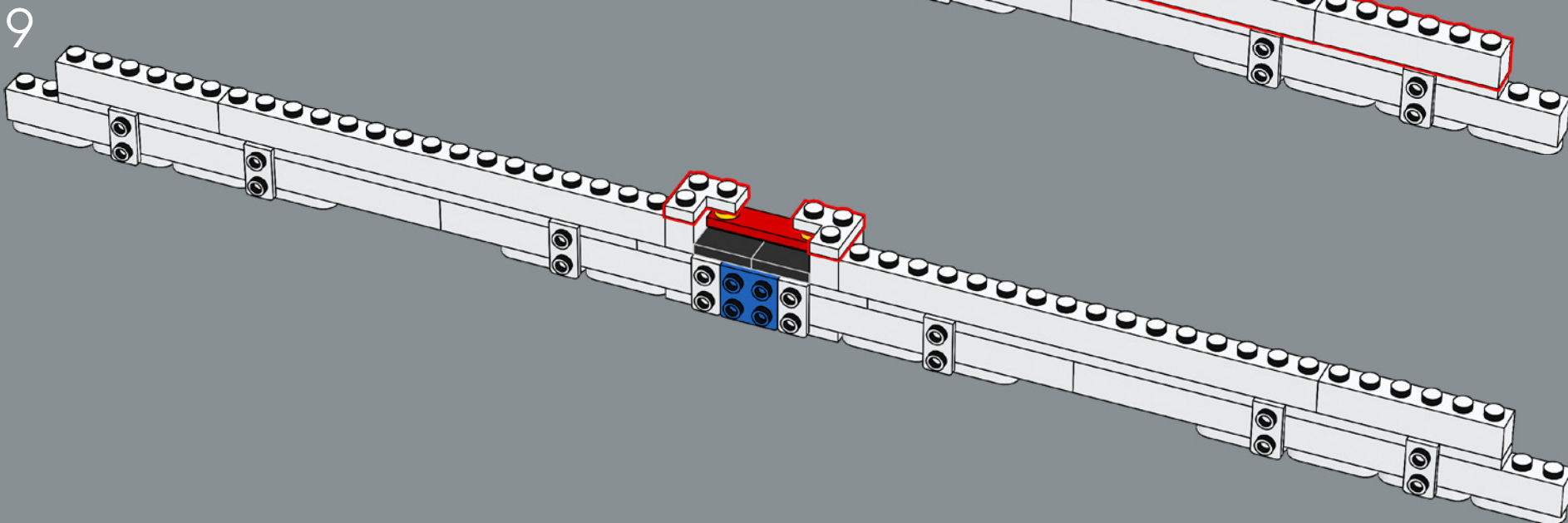
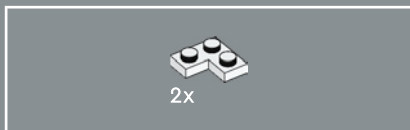
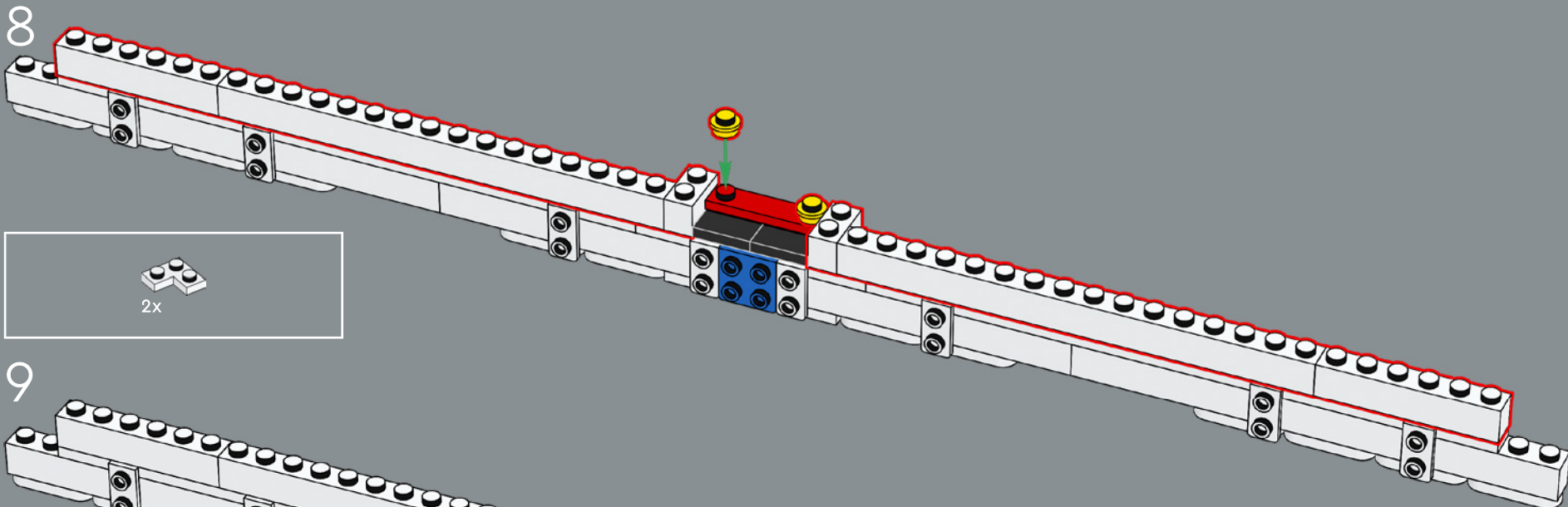
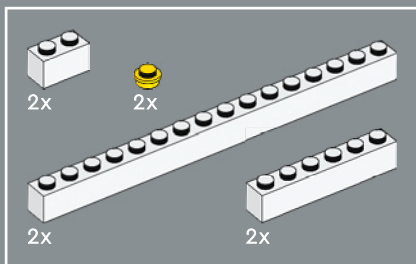


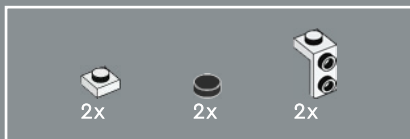
7



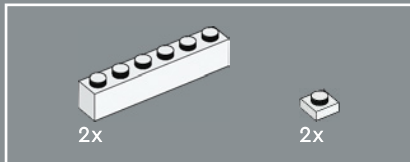
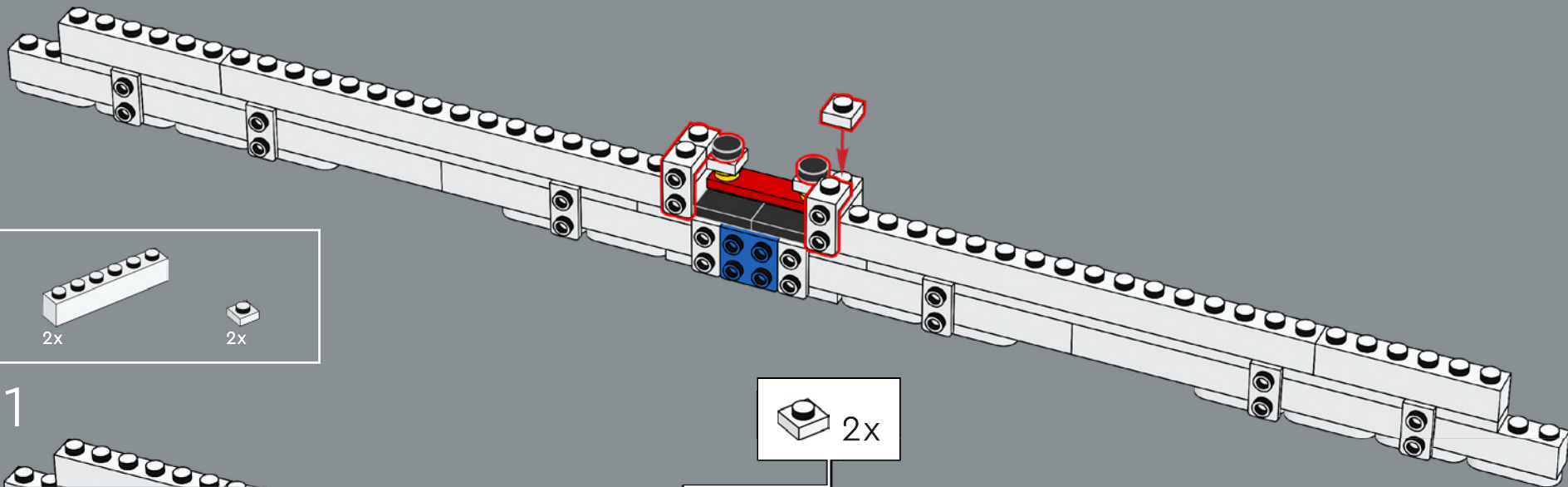


Which direction are we building?! Building the entire wing of the LEGO® Concorde sideways allowed us to make it thinner and lighter and capture that iconic sweeping delta wing.

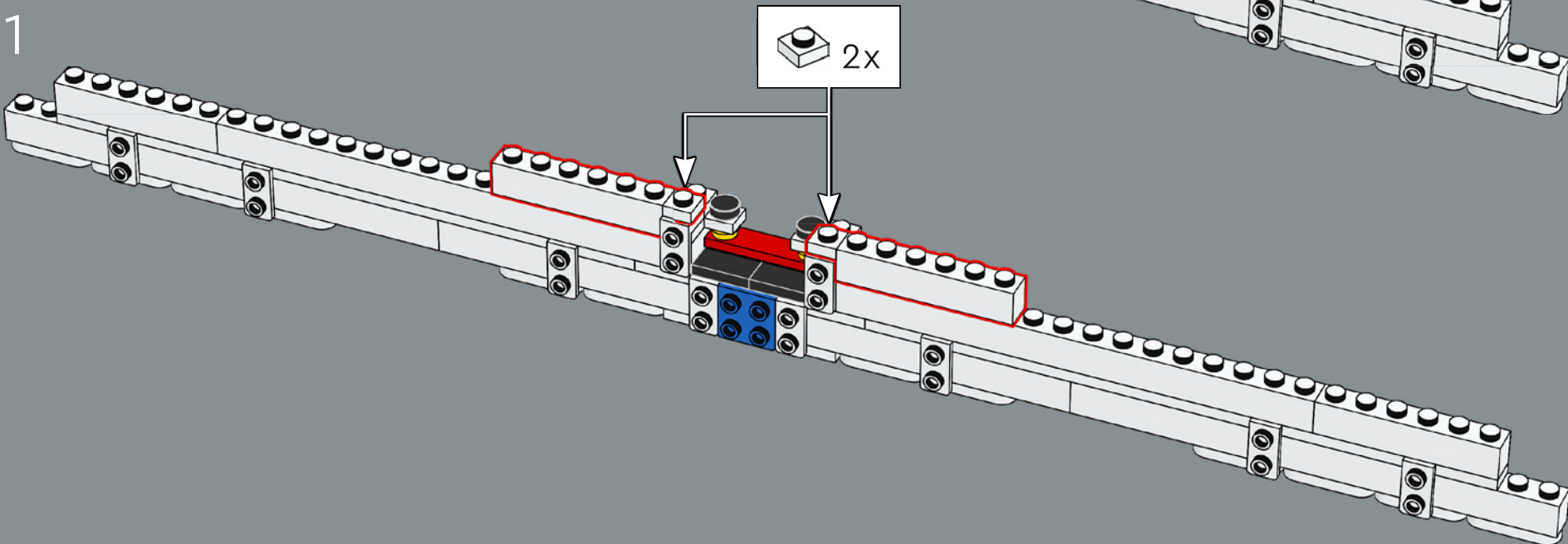




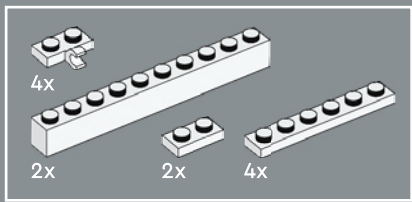
10



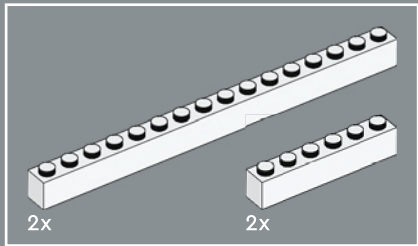
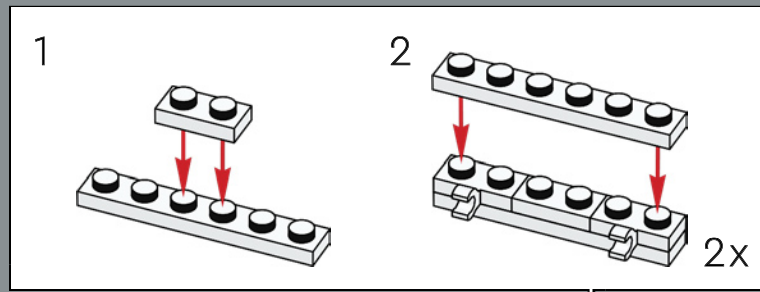
11



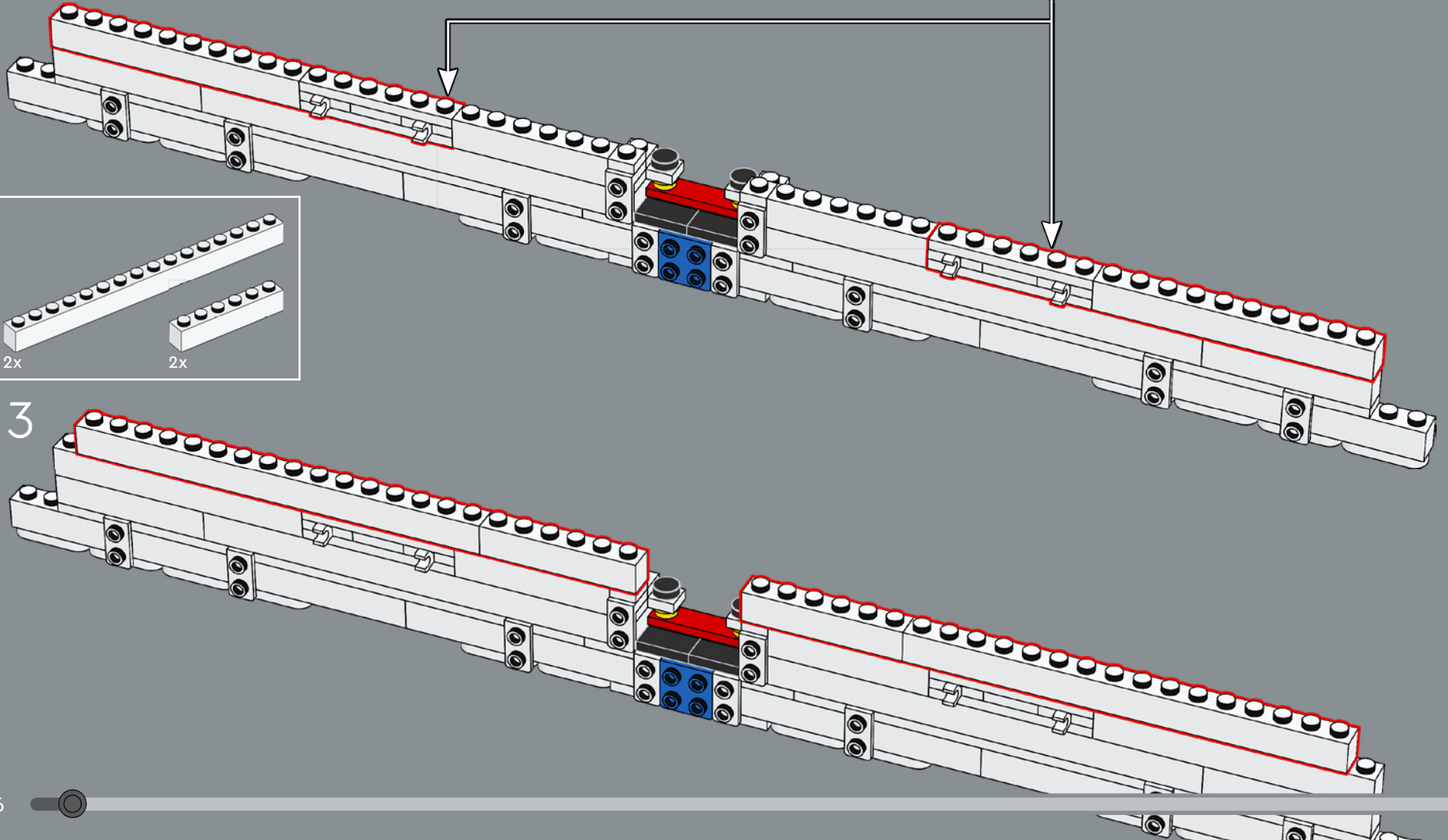


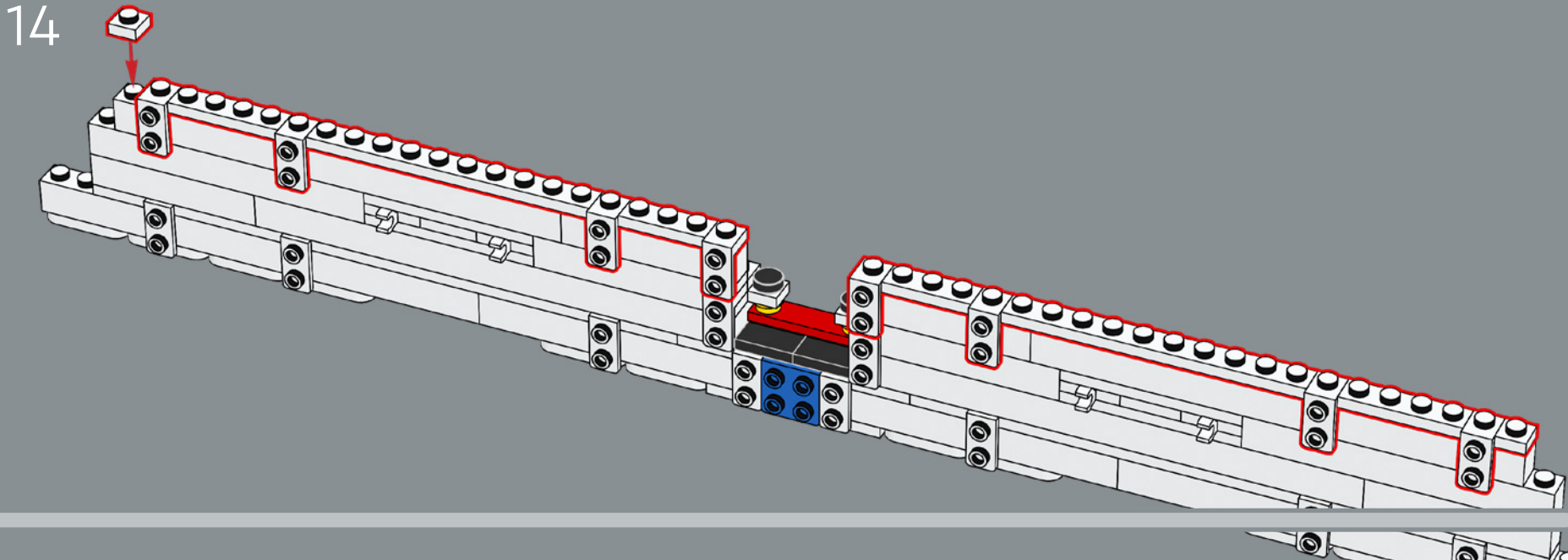
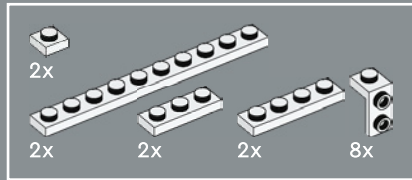


12



13

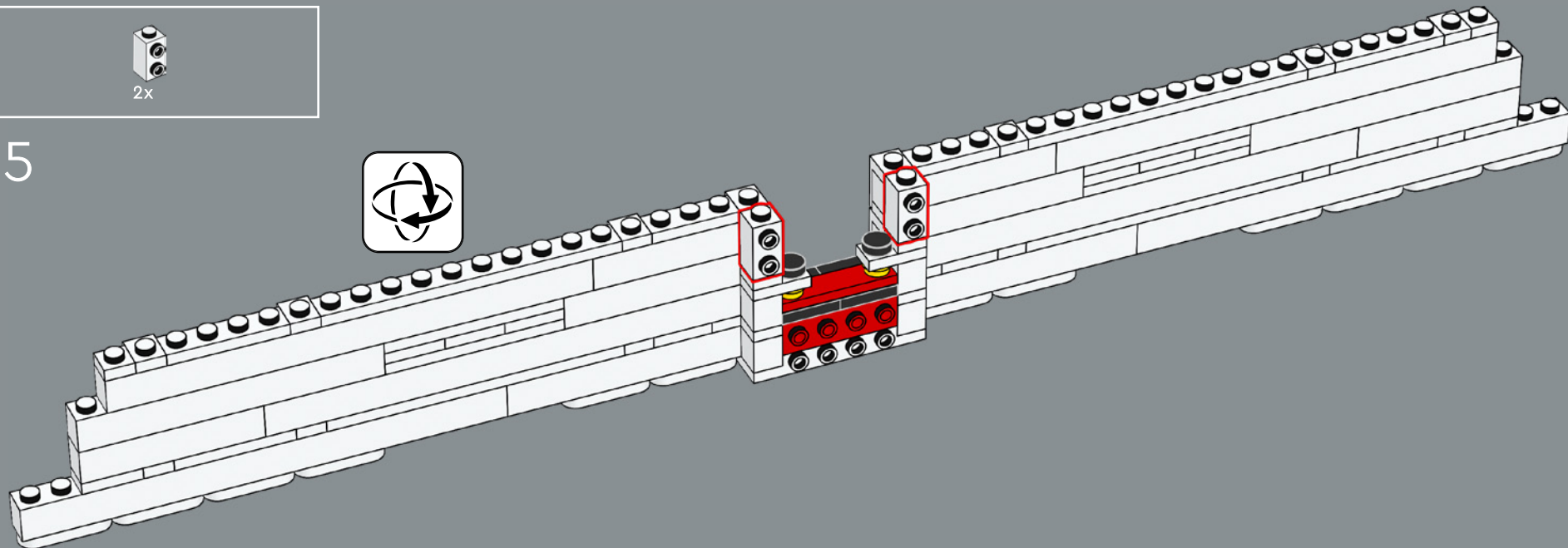






2x

15

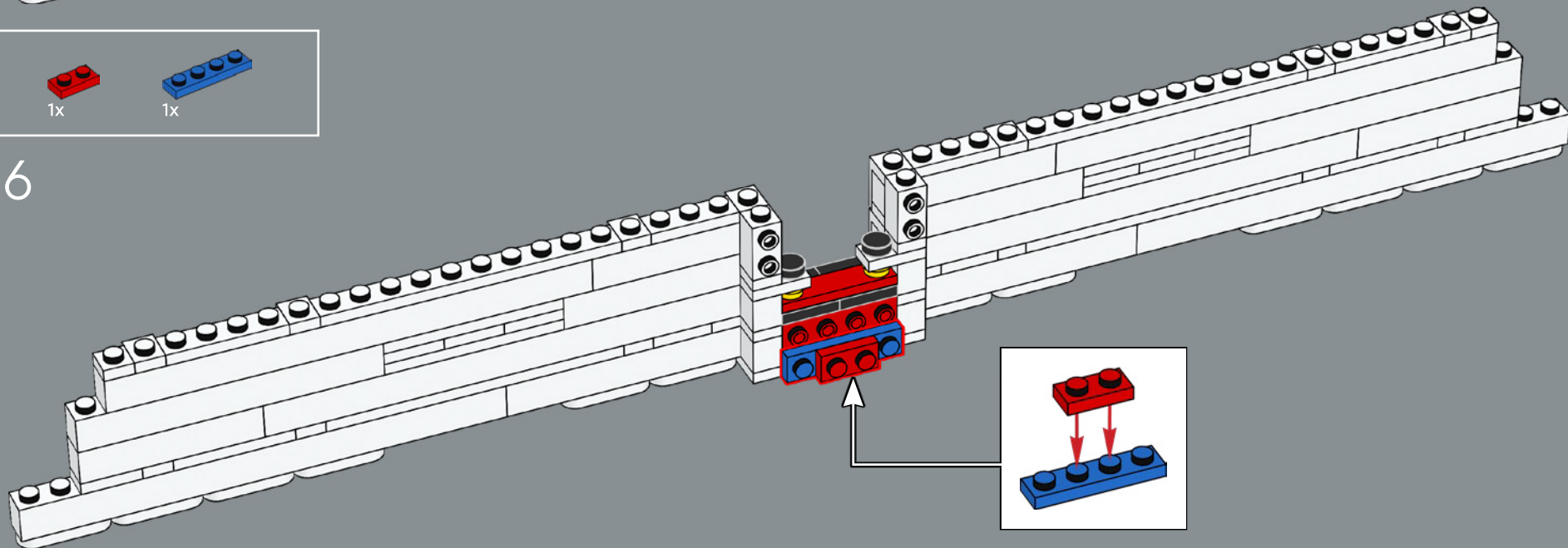


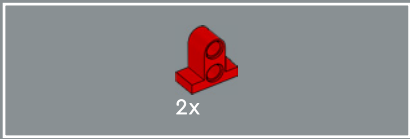
1x



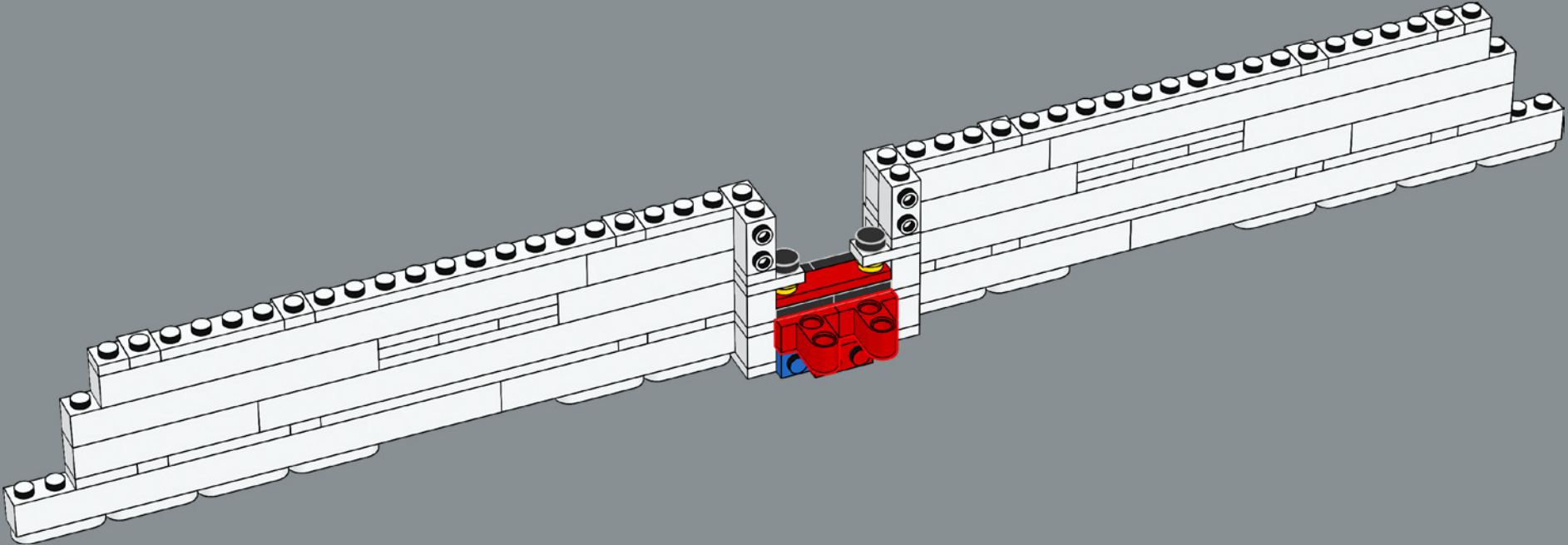
1x

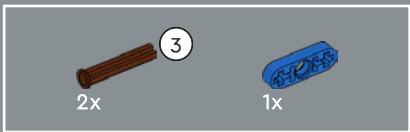
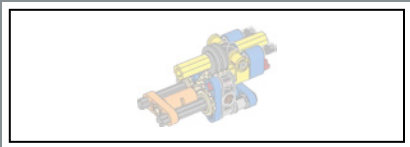
16



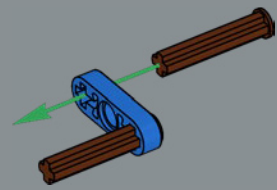


17

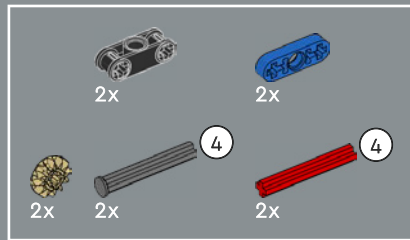
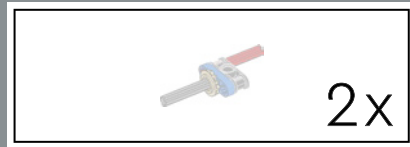
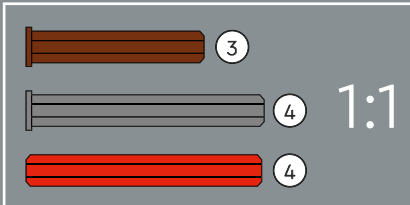
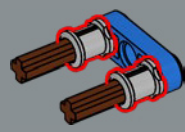




18

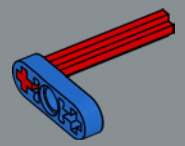


19

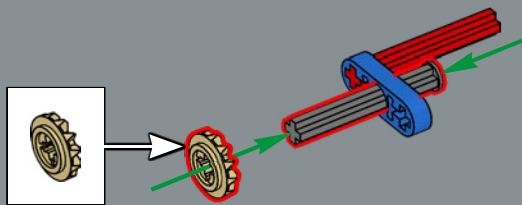


20

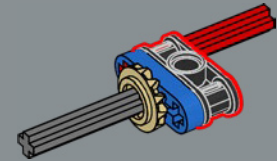
1



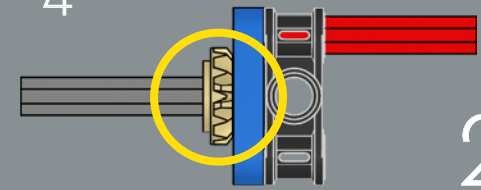
2



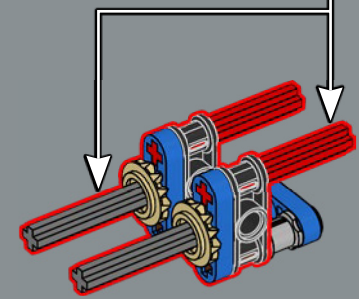
3



4



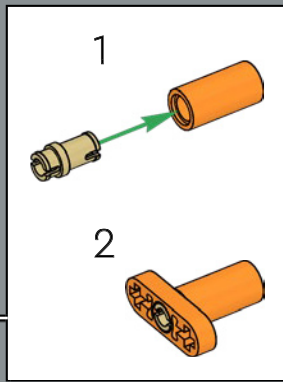
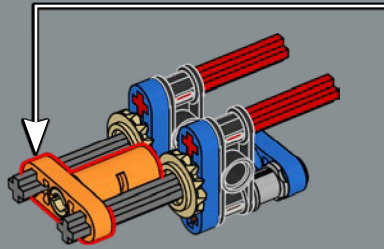
2x



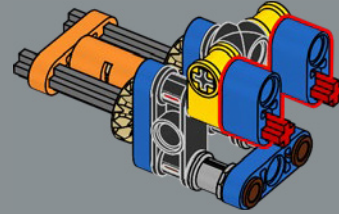




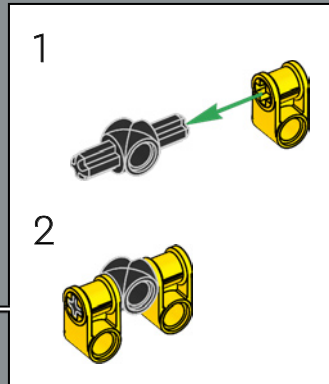
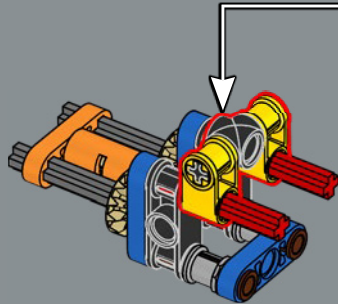
21



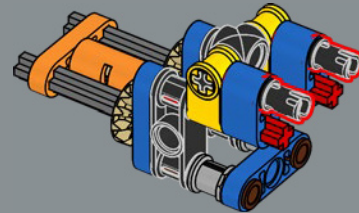
23



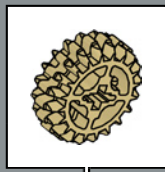
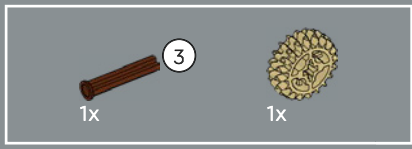
22



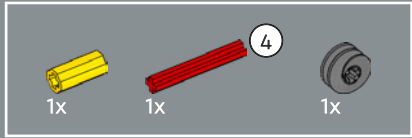
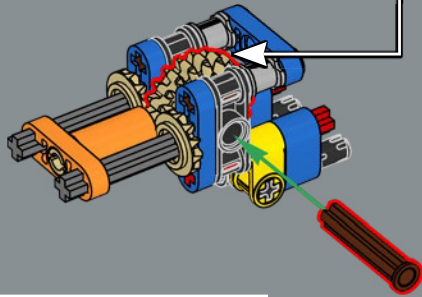
24



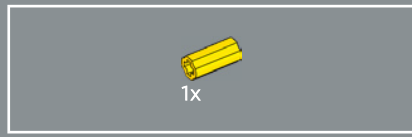
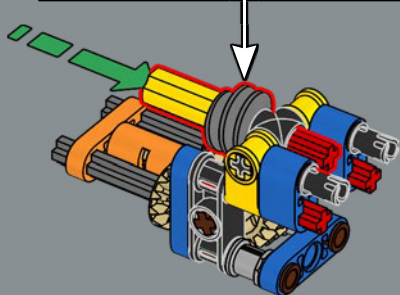
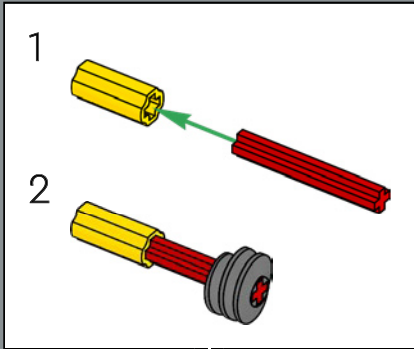




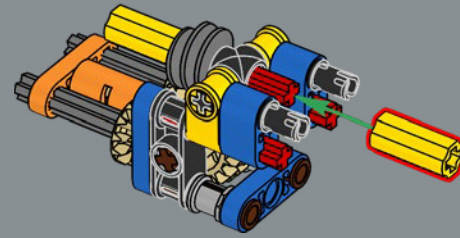
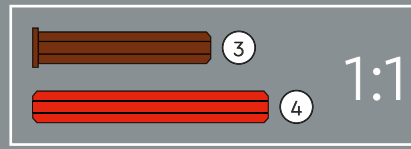
25



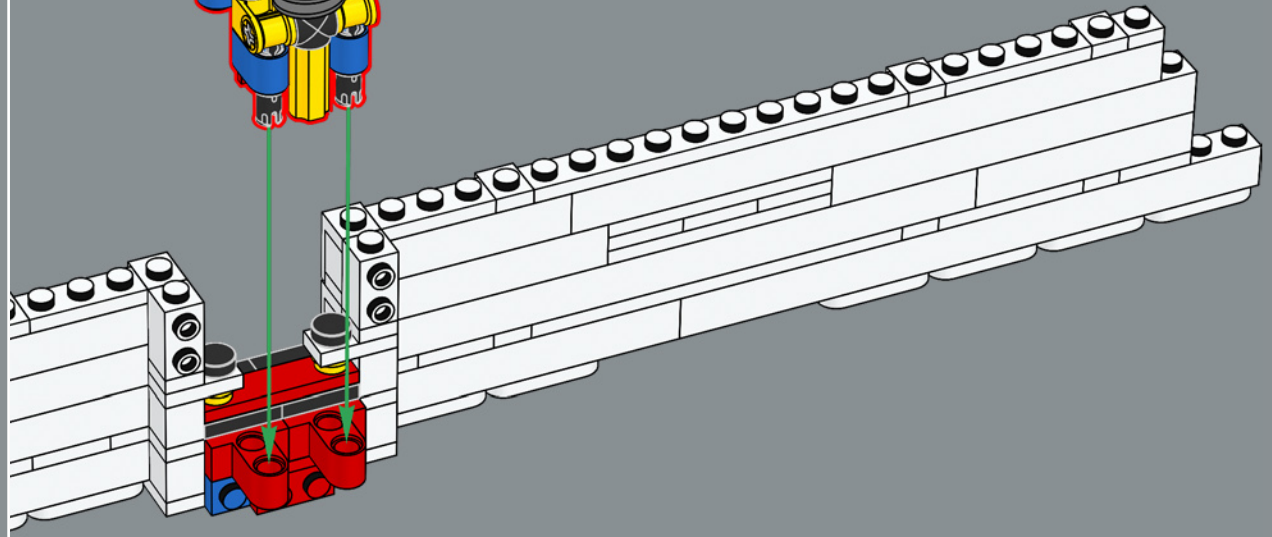
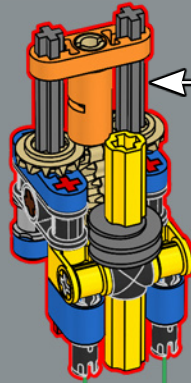
26

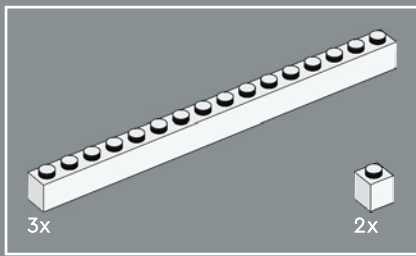


27

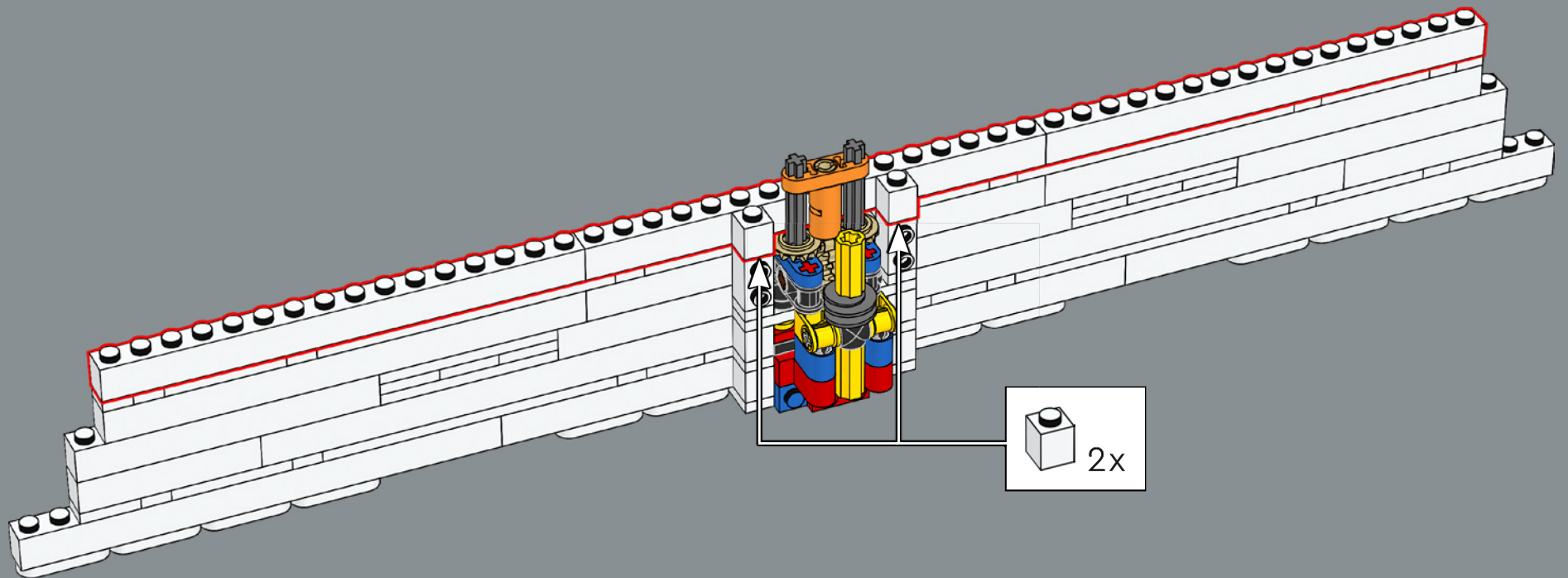


28





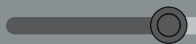
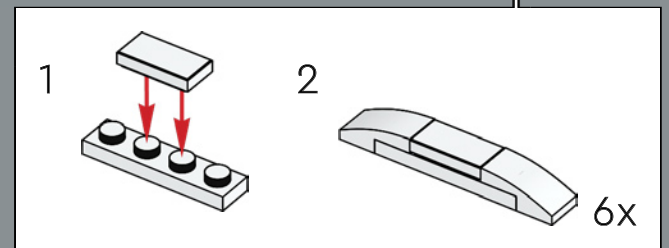
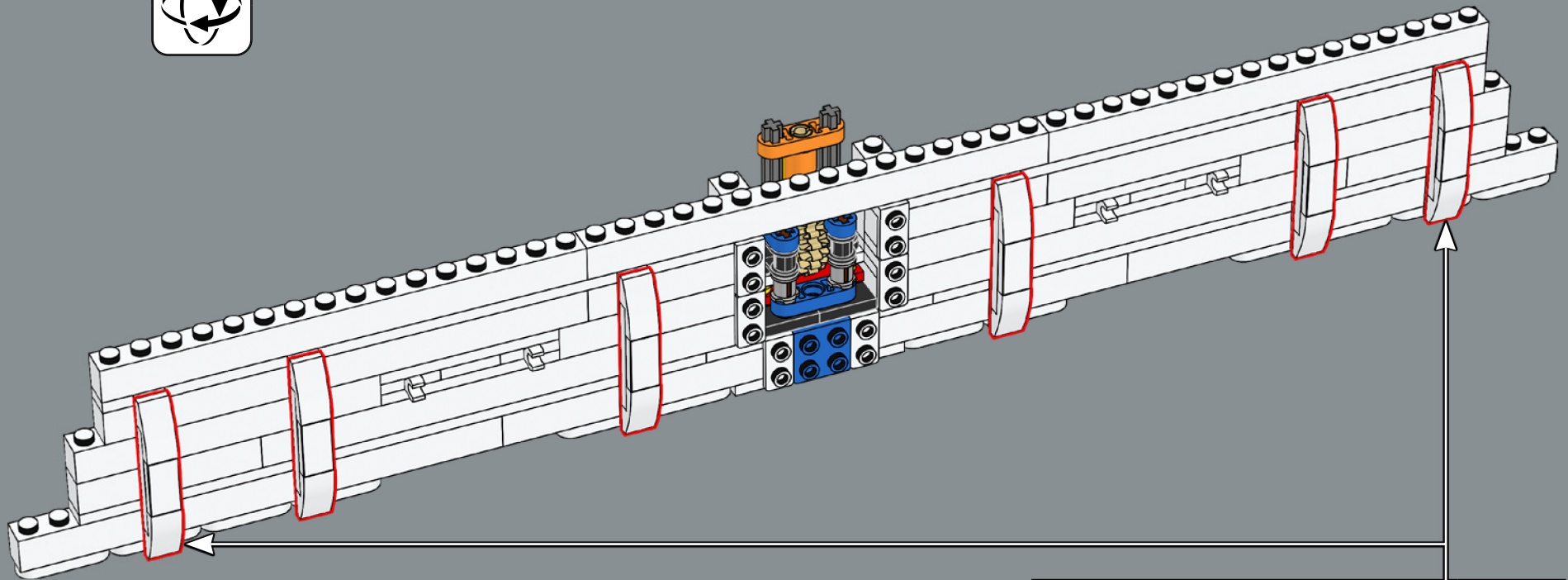
29

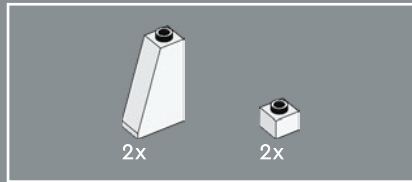




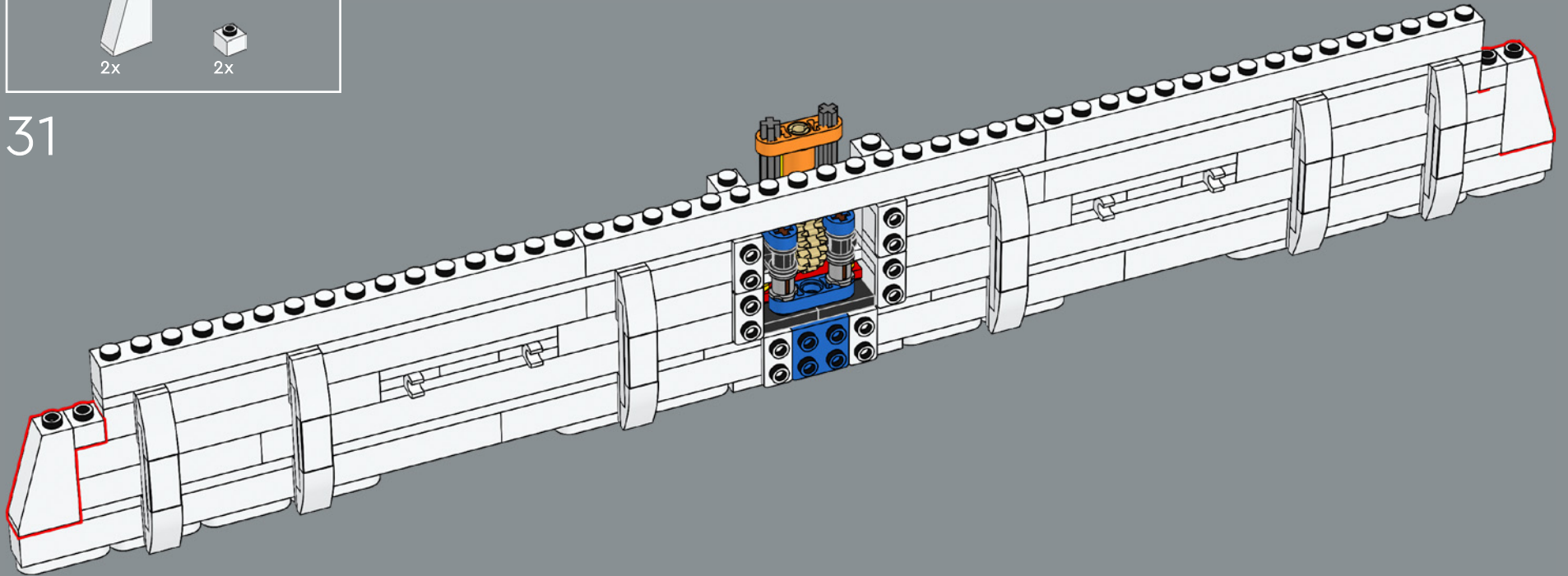
These fairings under the Concorde's iconic delta wing contain the actuators that control the aircraft's elevons.

30

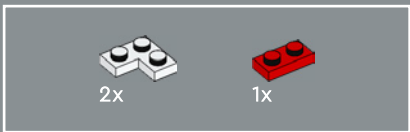




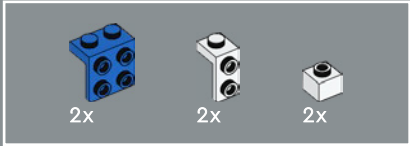
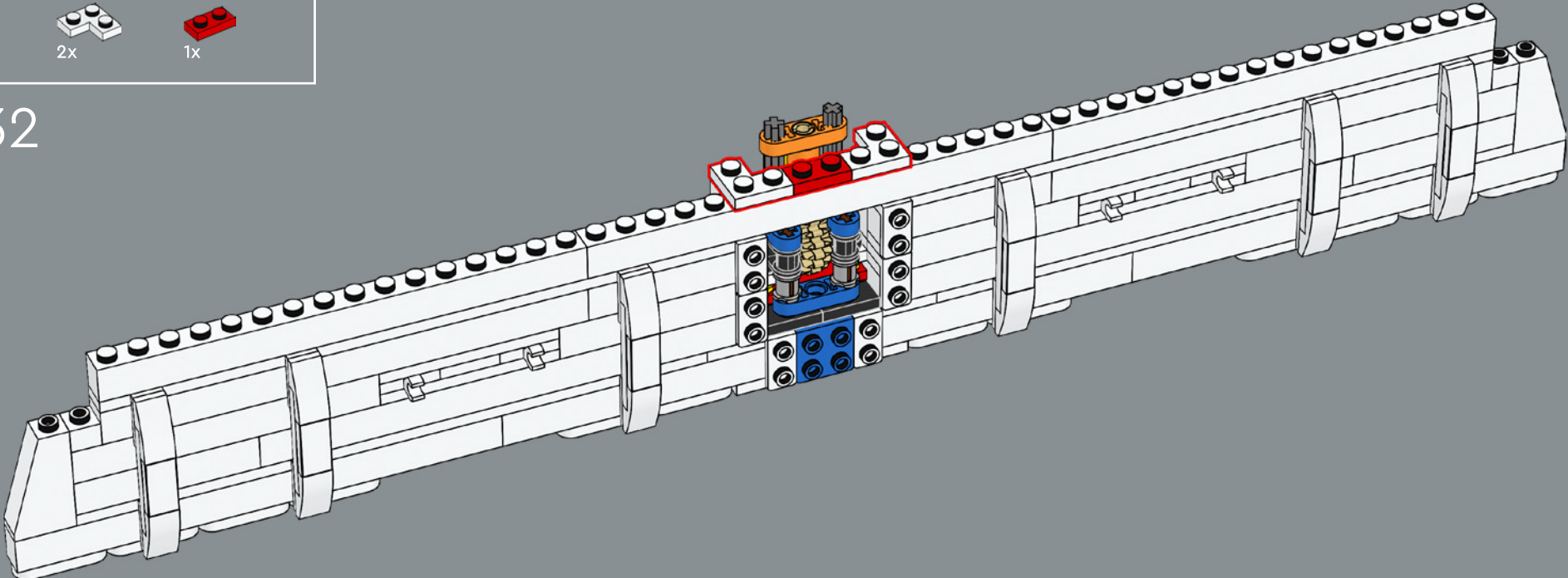
31



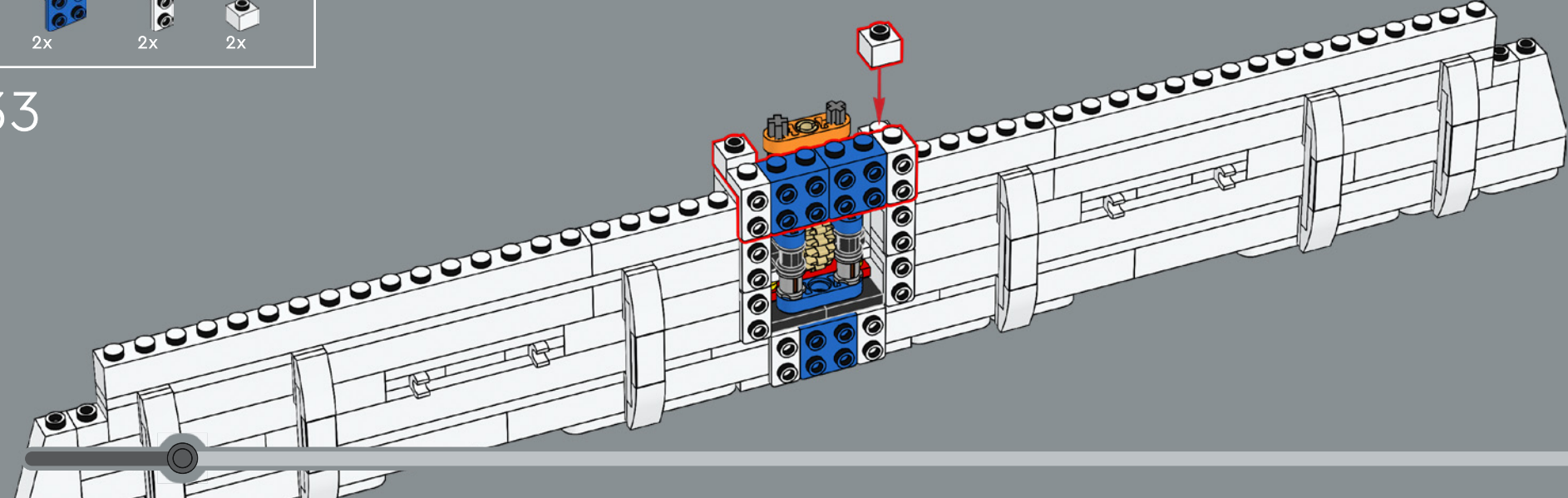


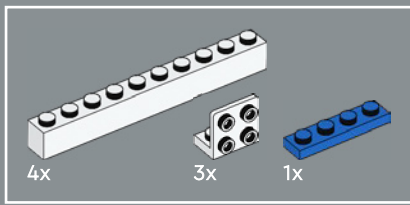


32

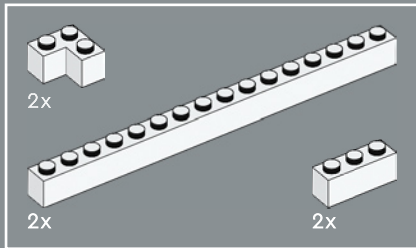
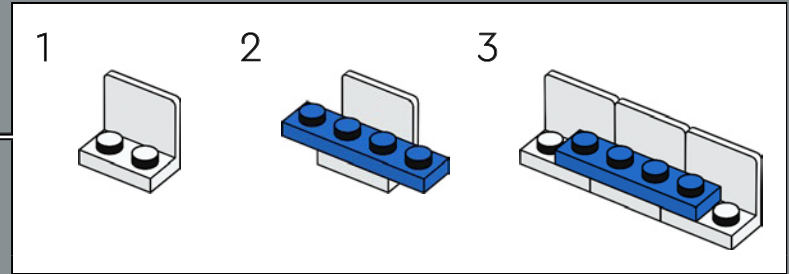
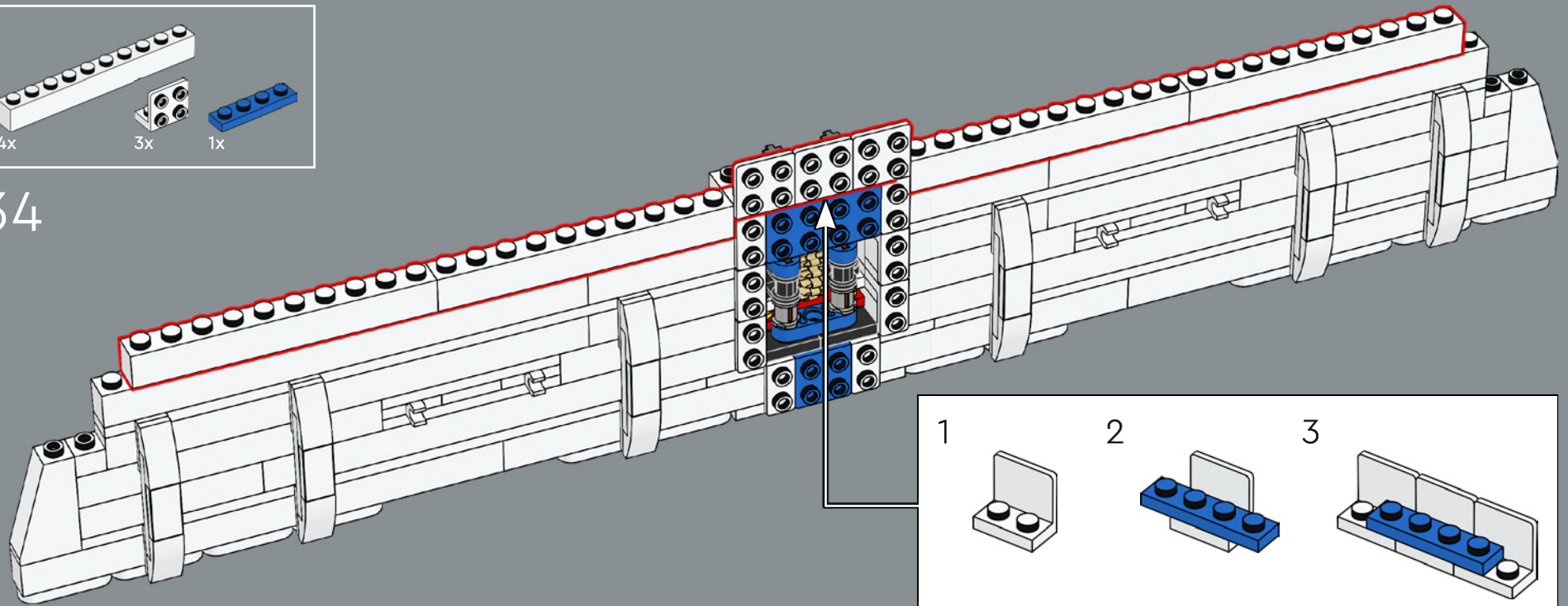


33

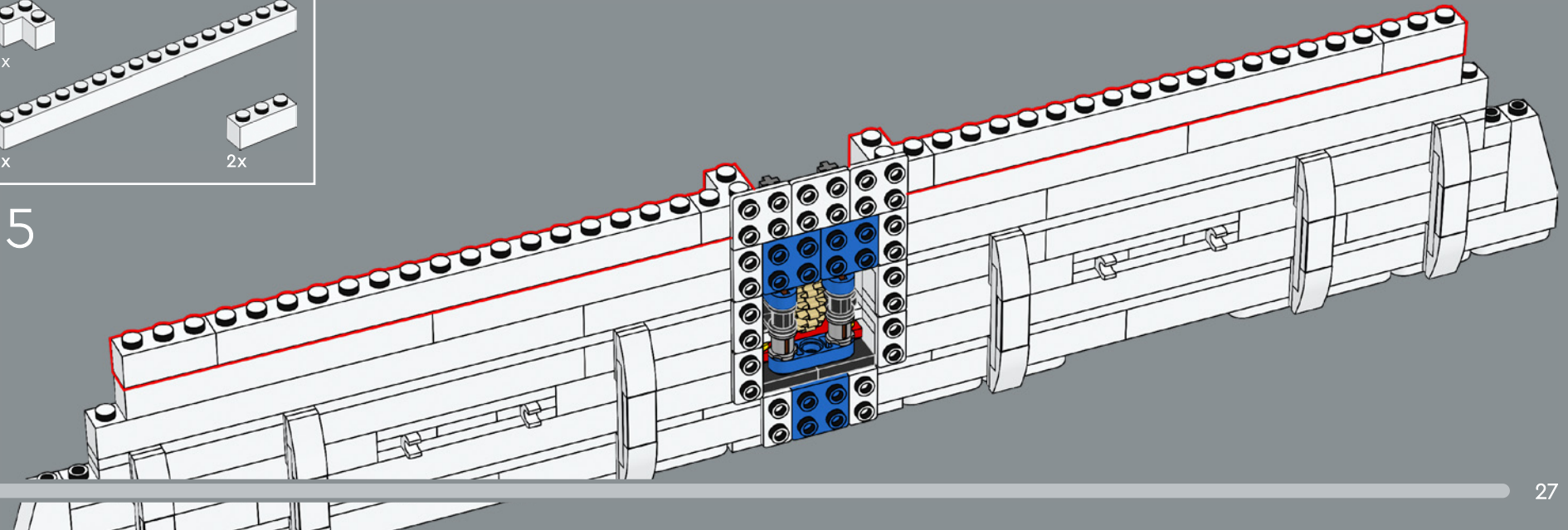




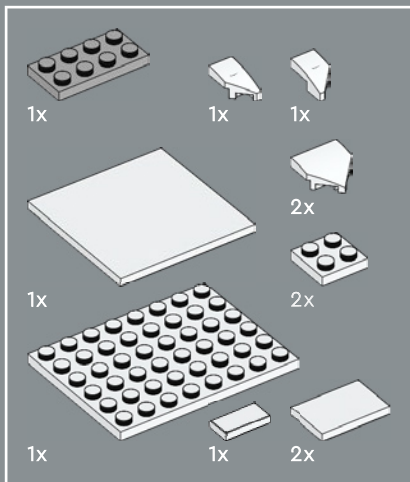
34



35

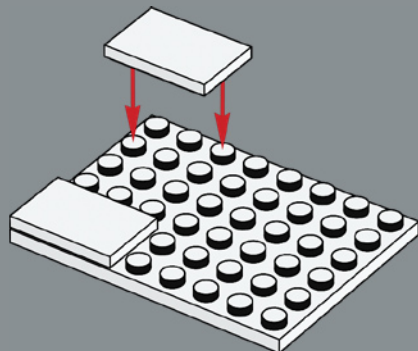




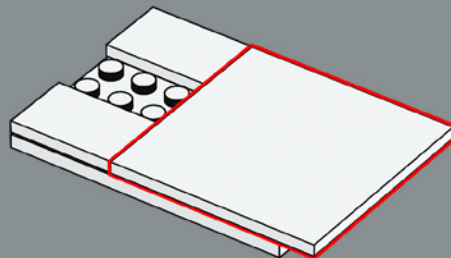


36

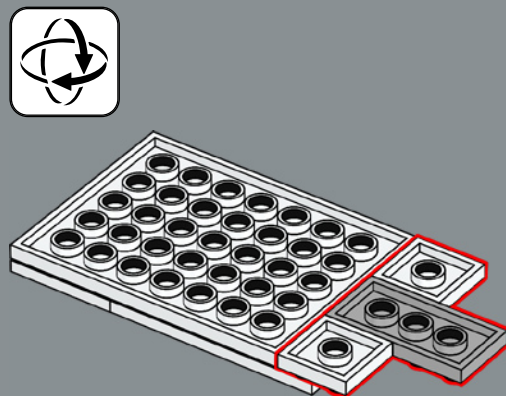
1



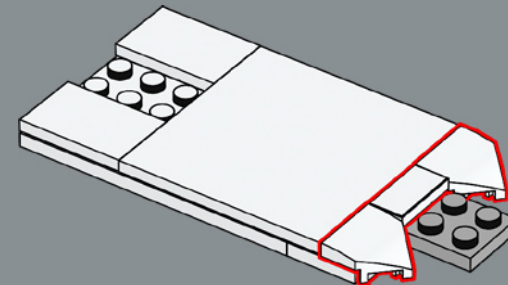
2



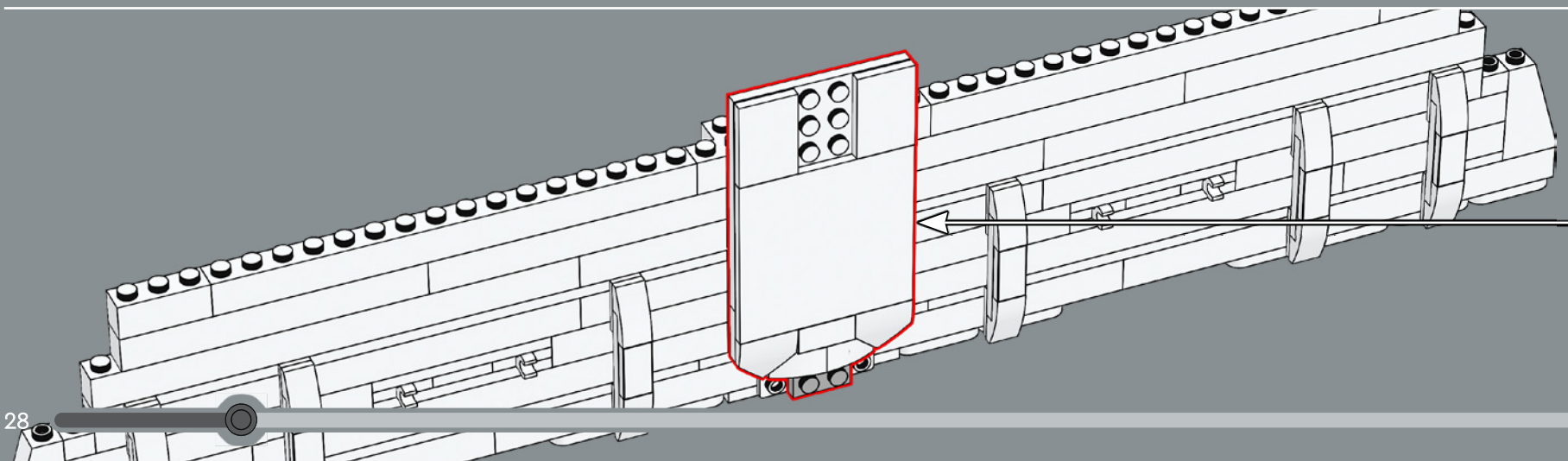
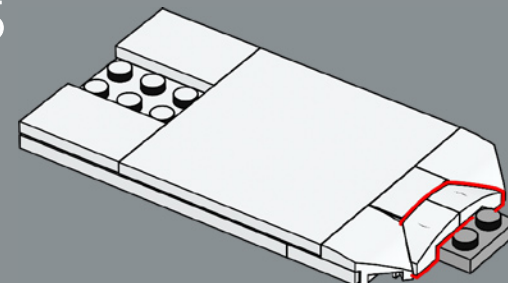
3



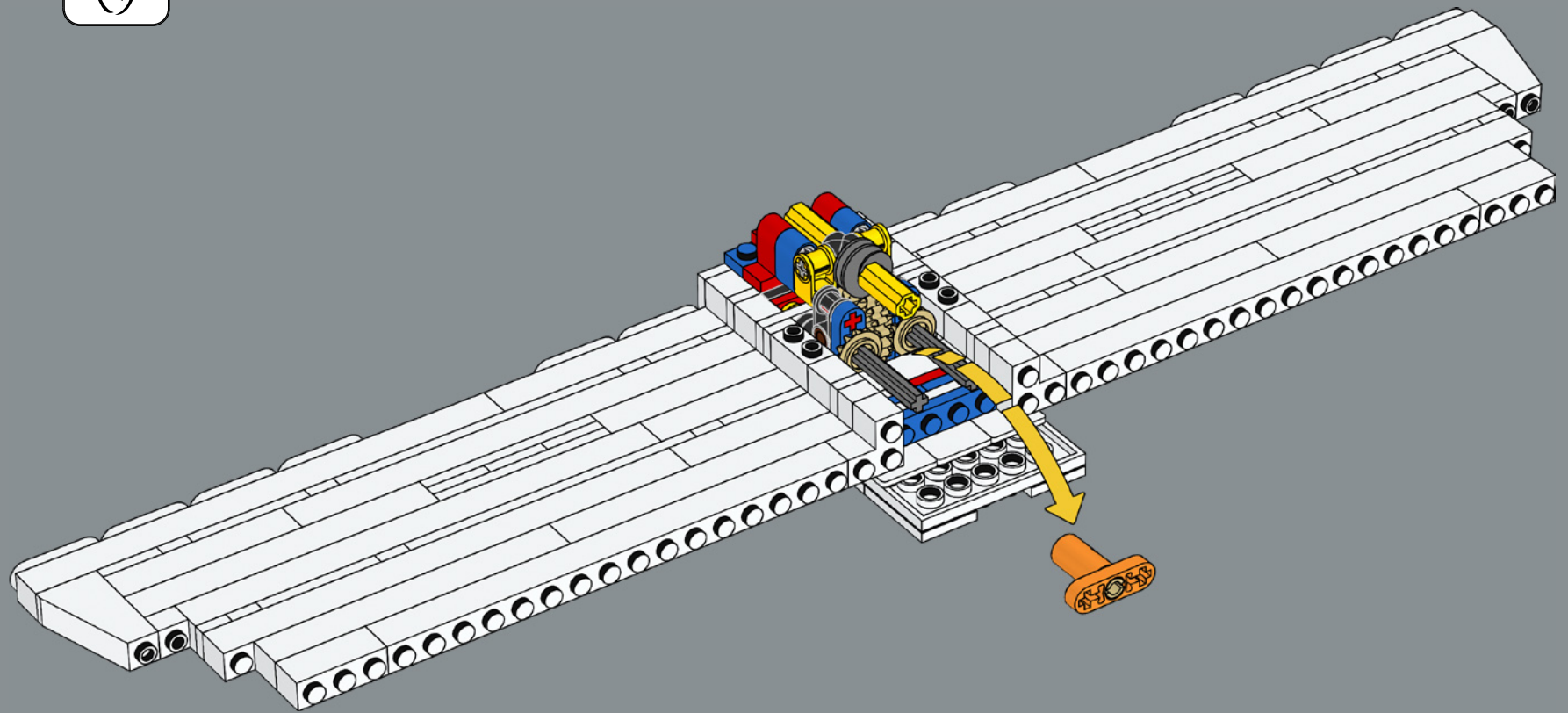
4



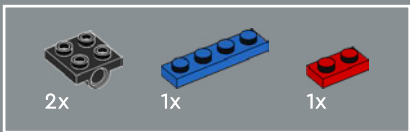
5



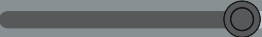
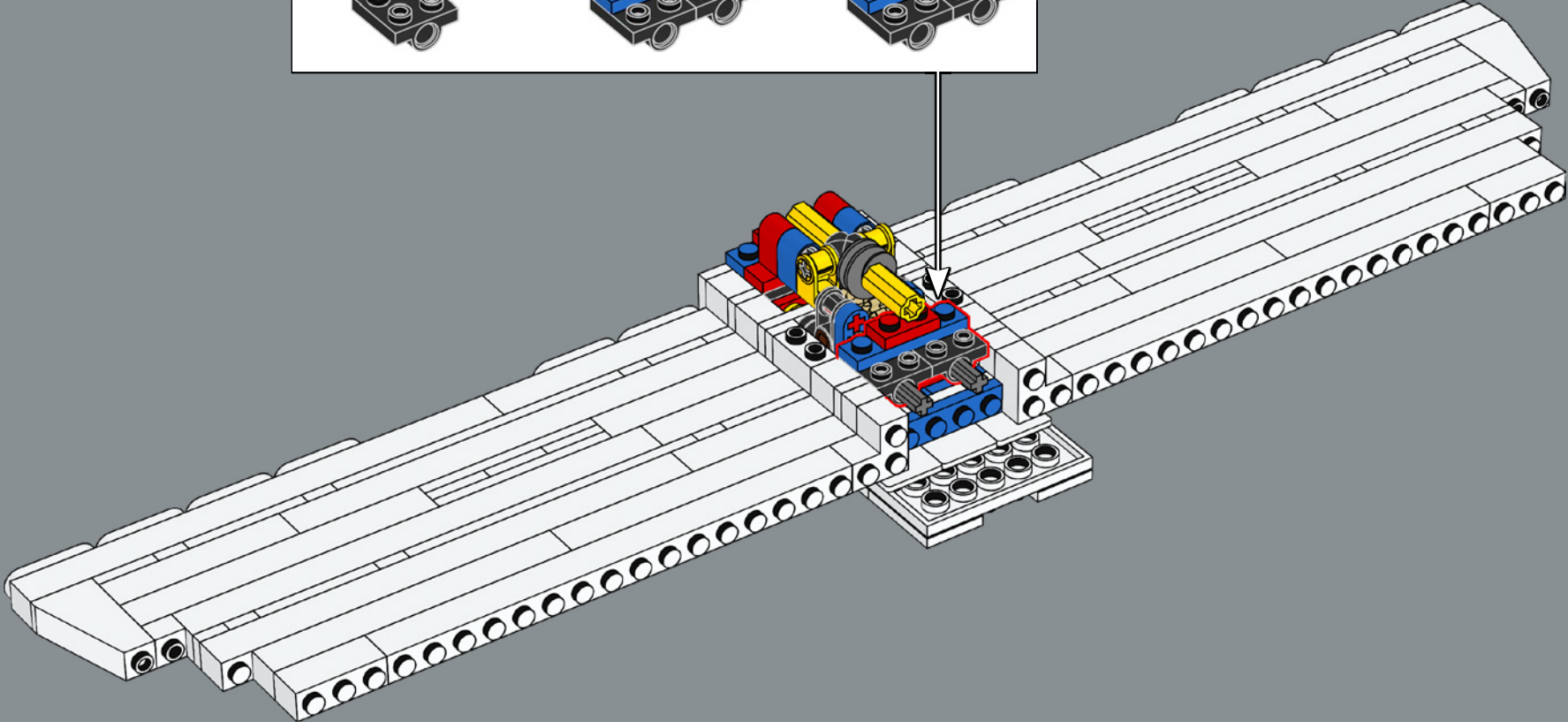
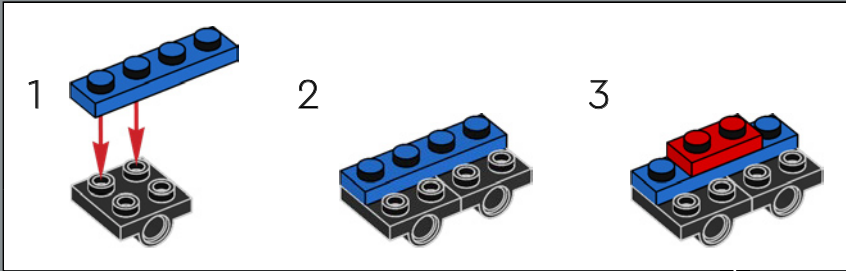
37

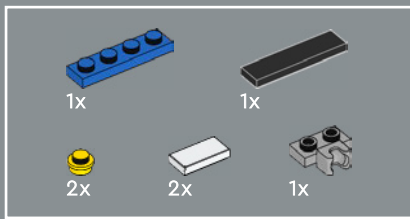




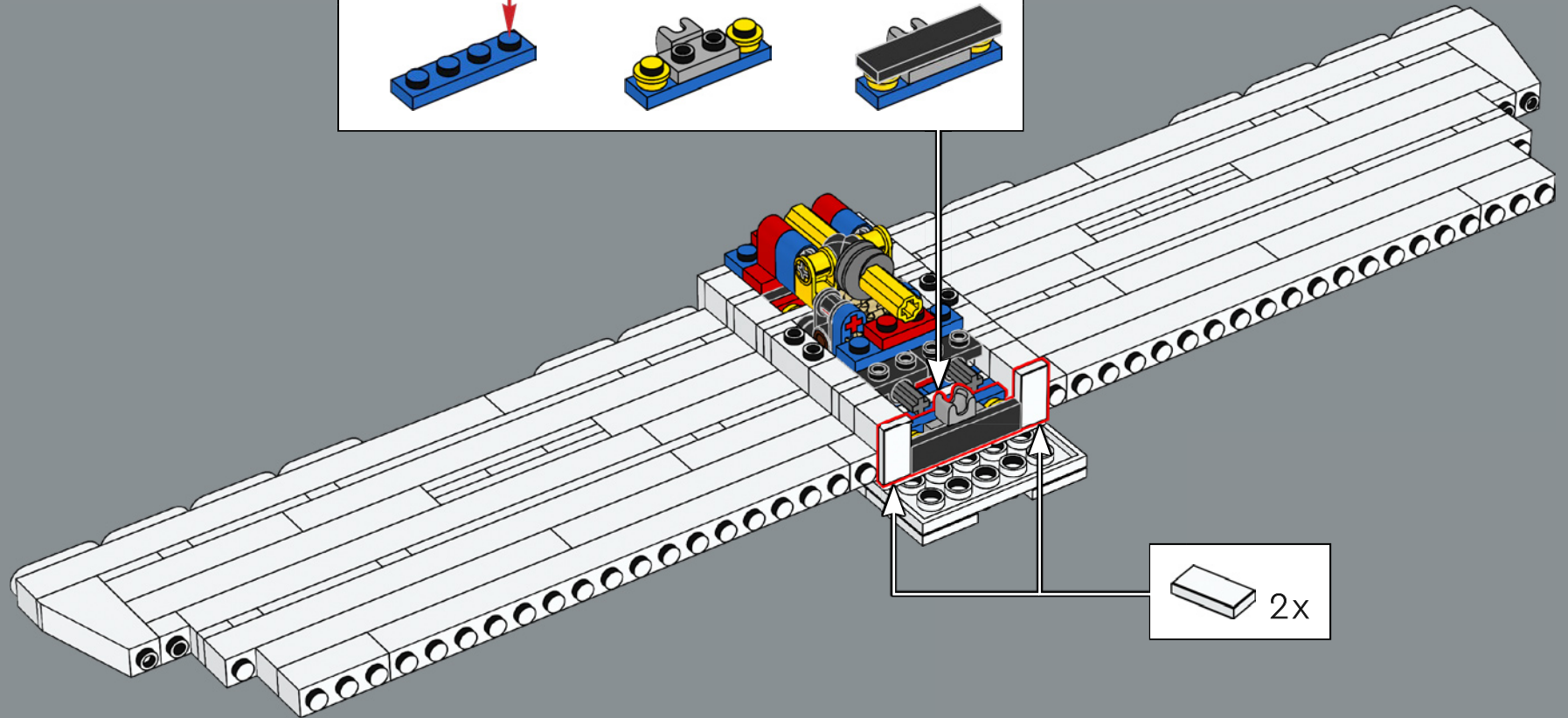
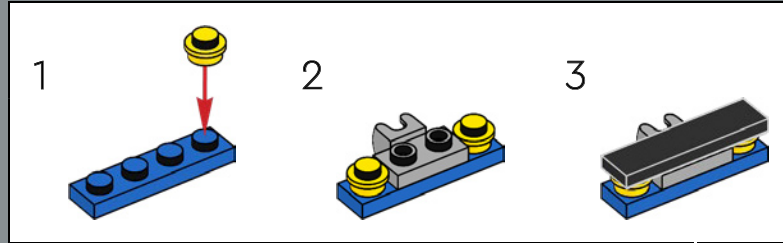


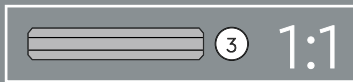
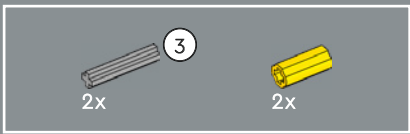
38





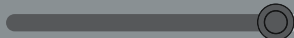
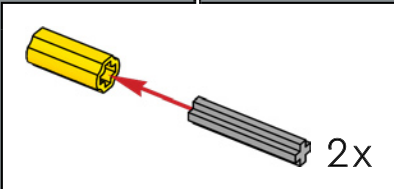
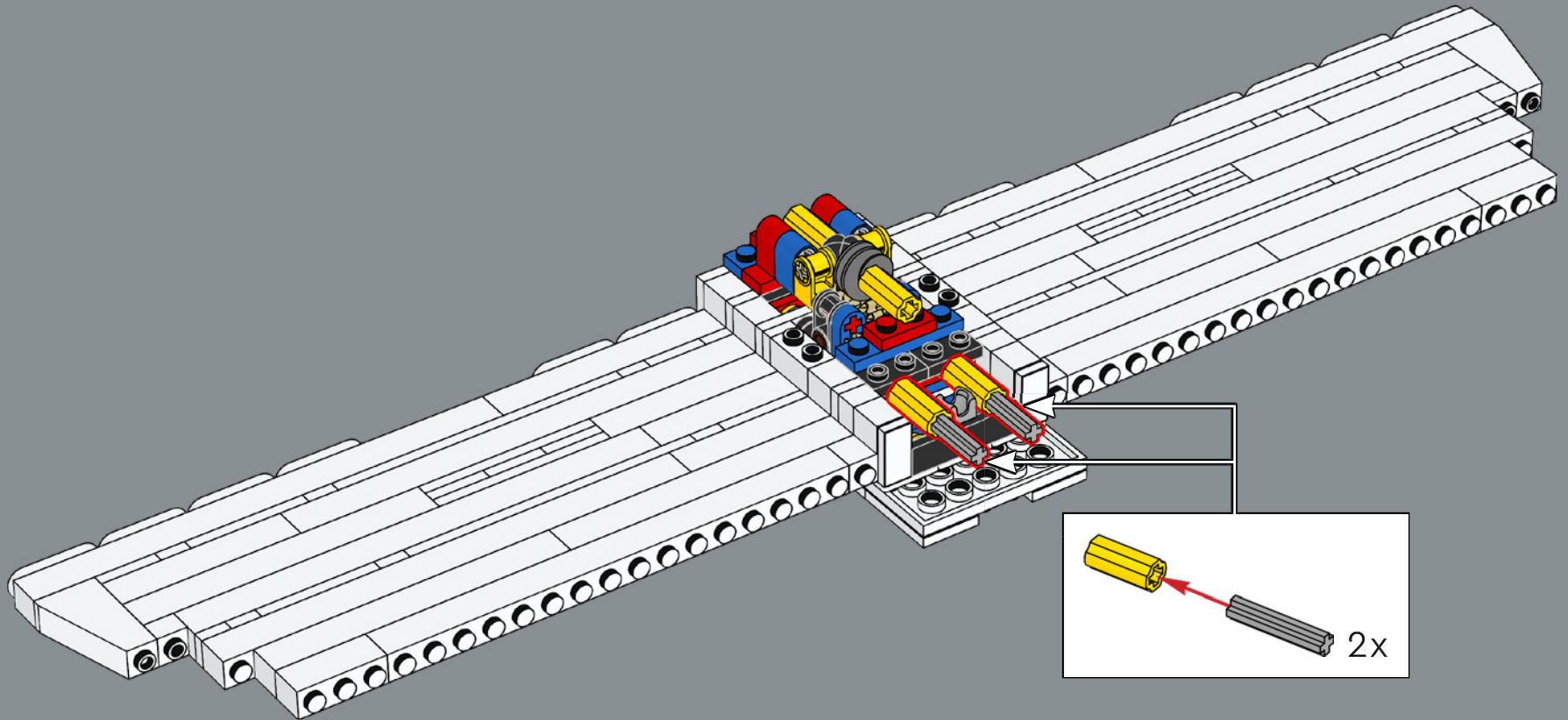
39

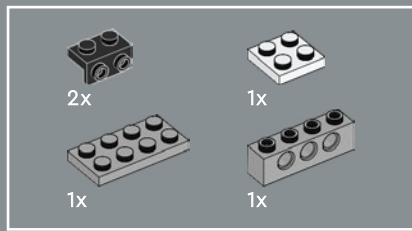




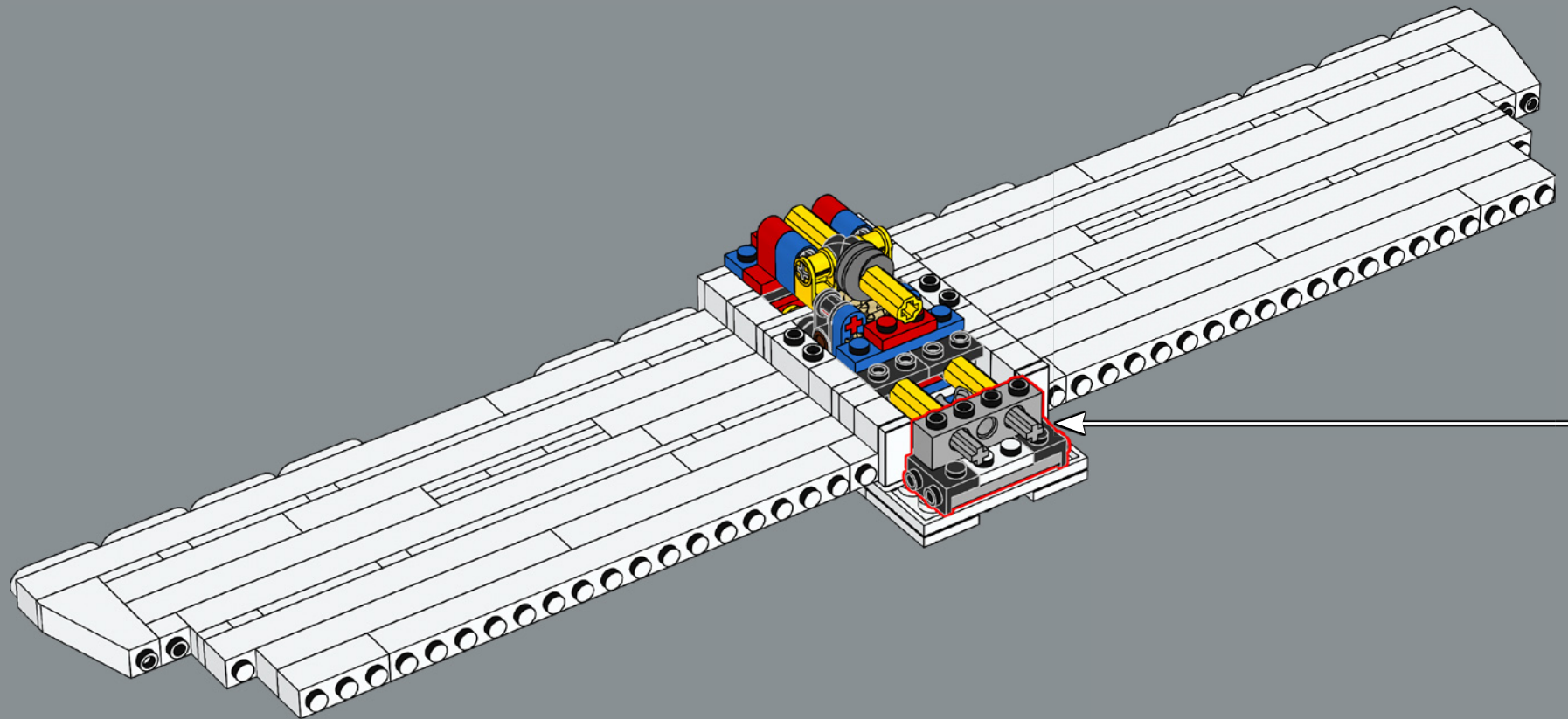
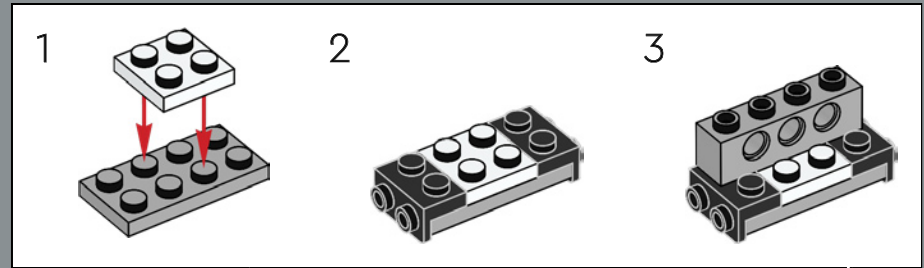
Concorde contains 30.6 km (19 miles) of wiring. We opted for several meters of LEGO® bricks.

40

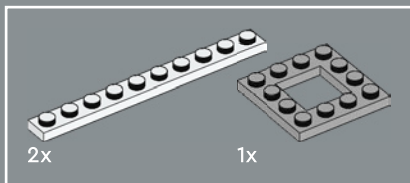




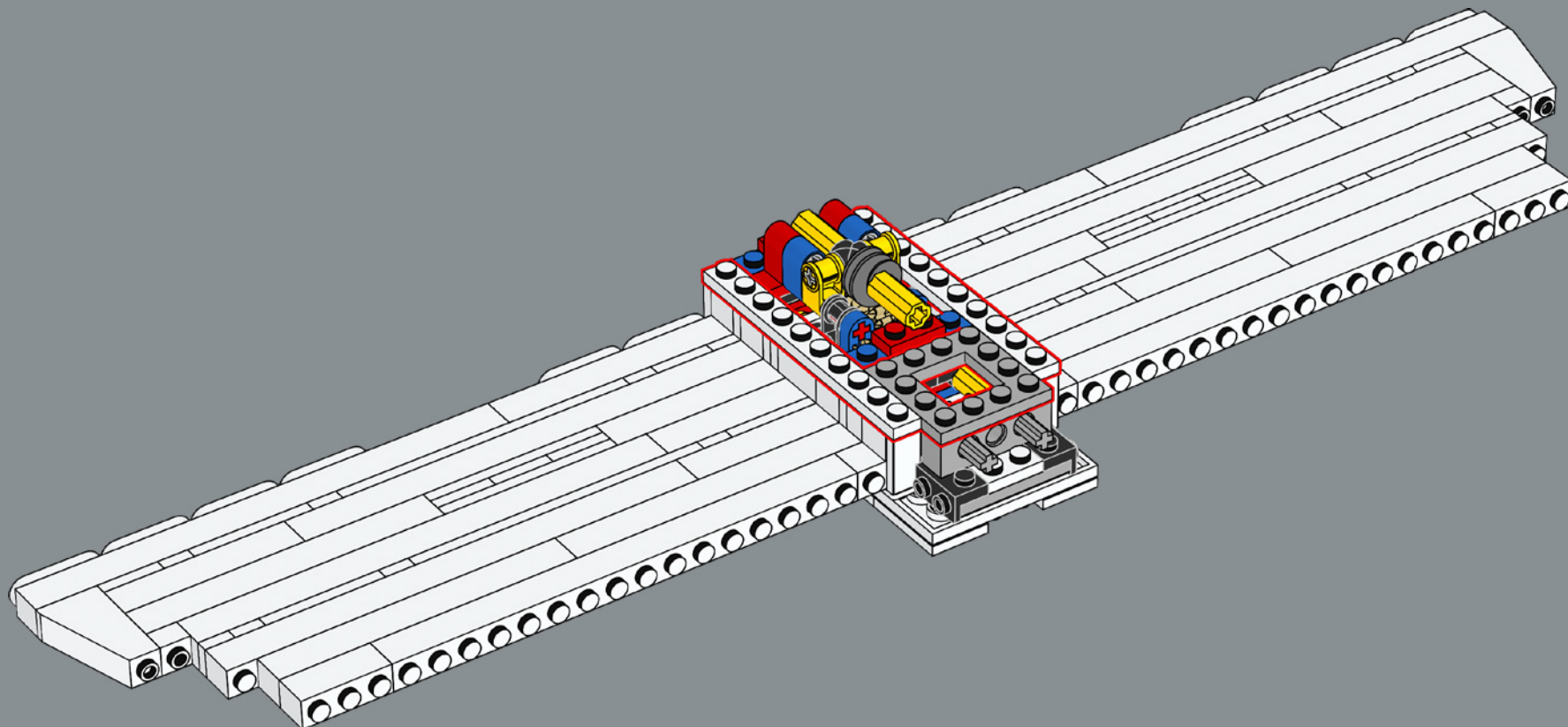
41

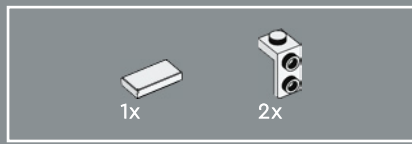




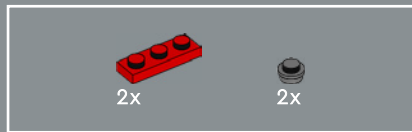
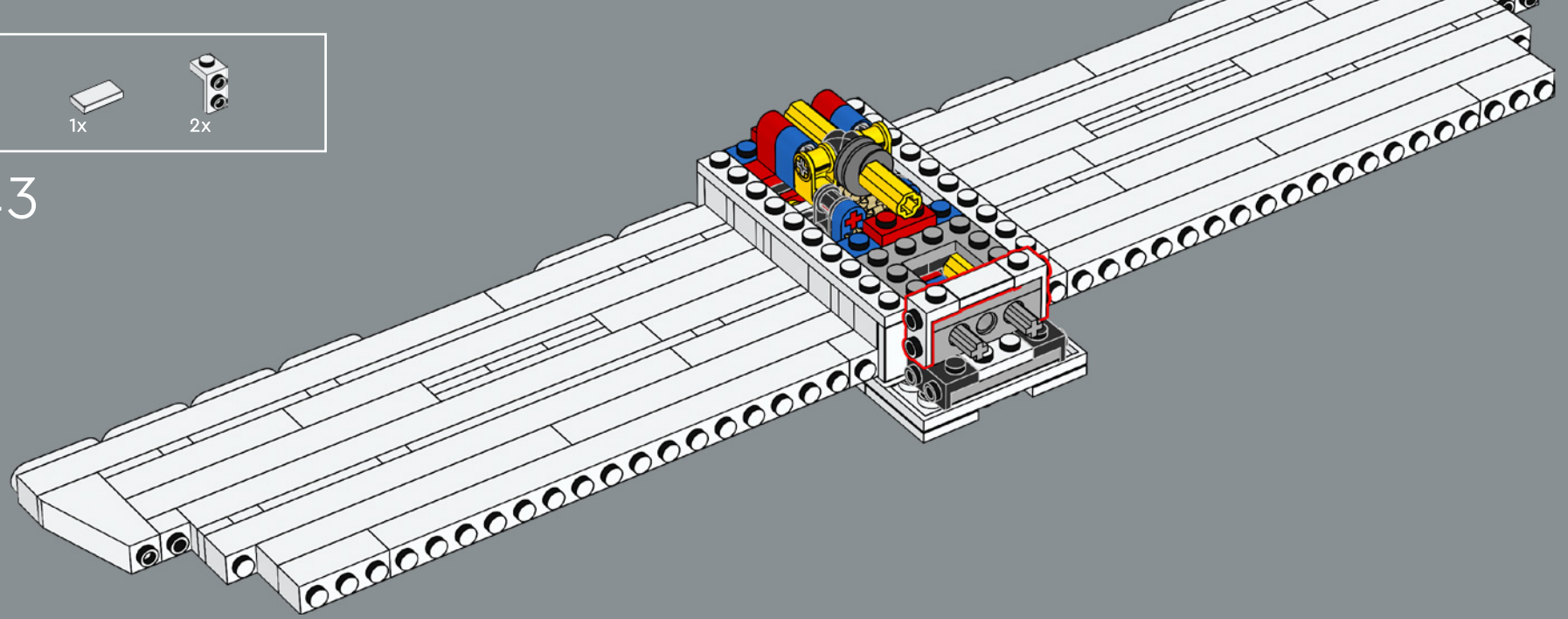


42

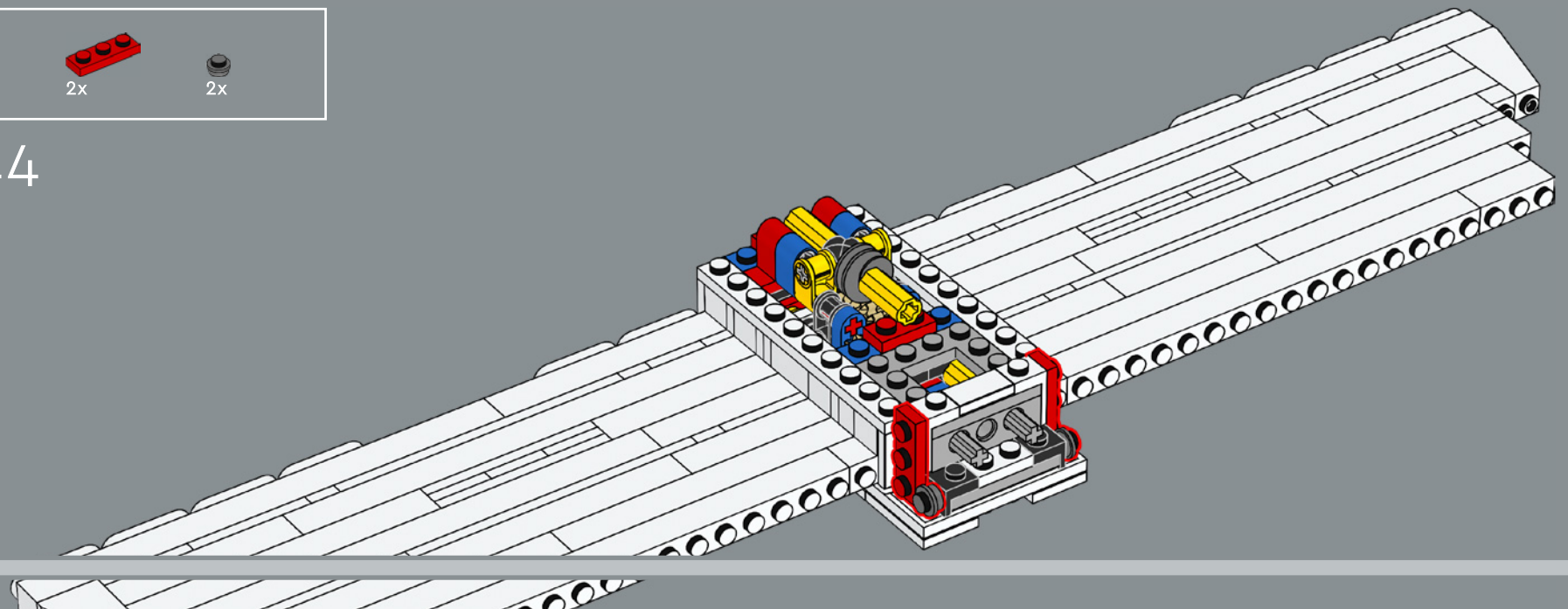


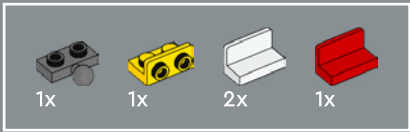


43

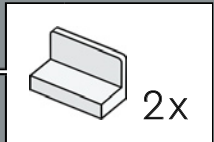
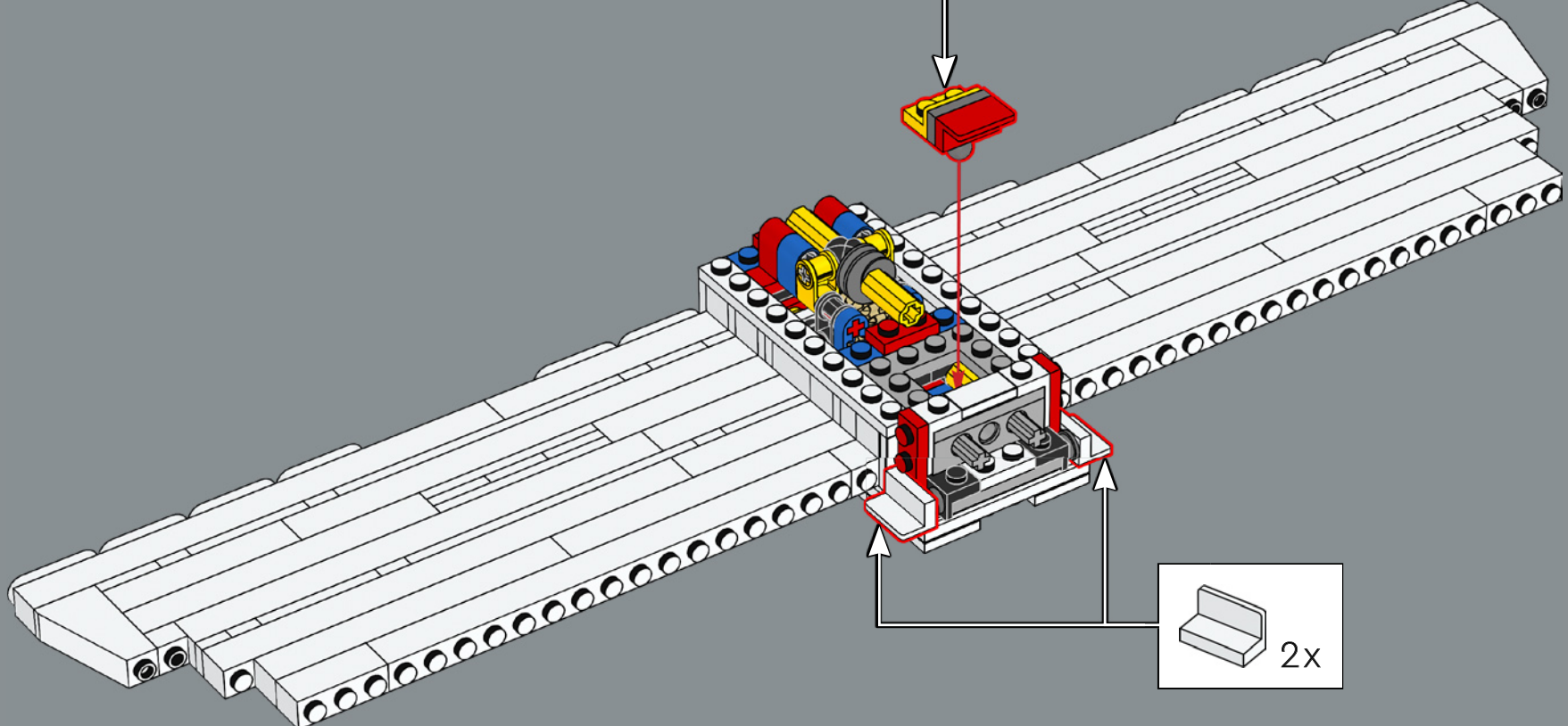
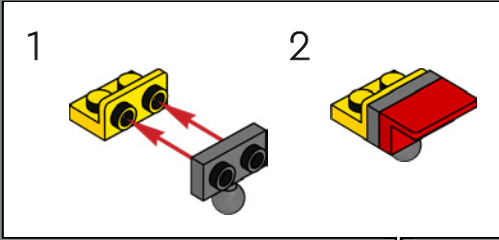


44





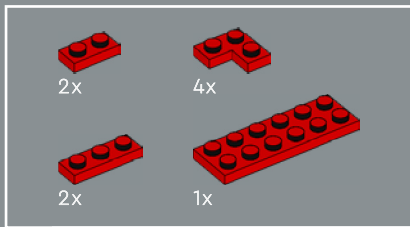
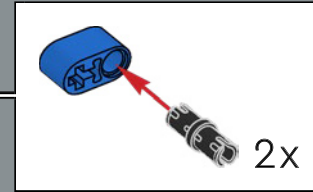
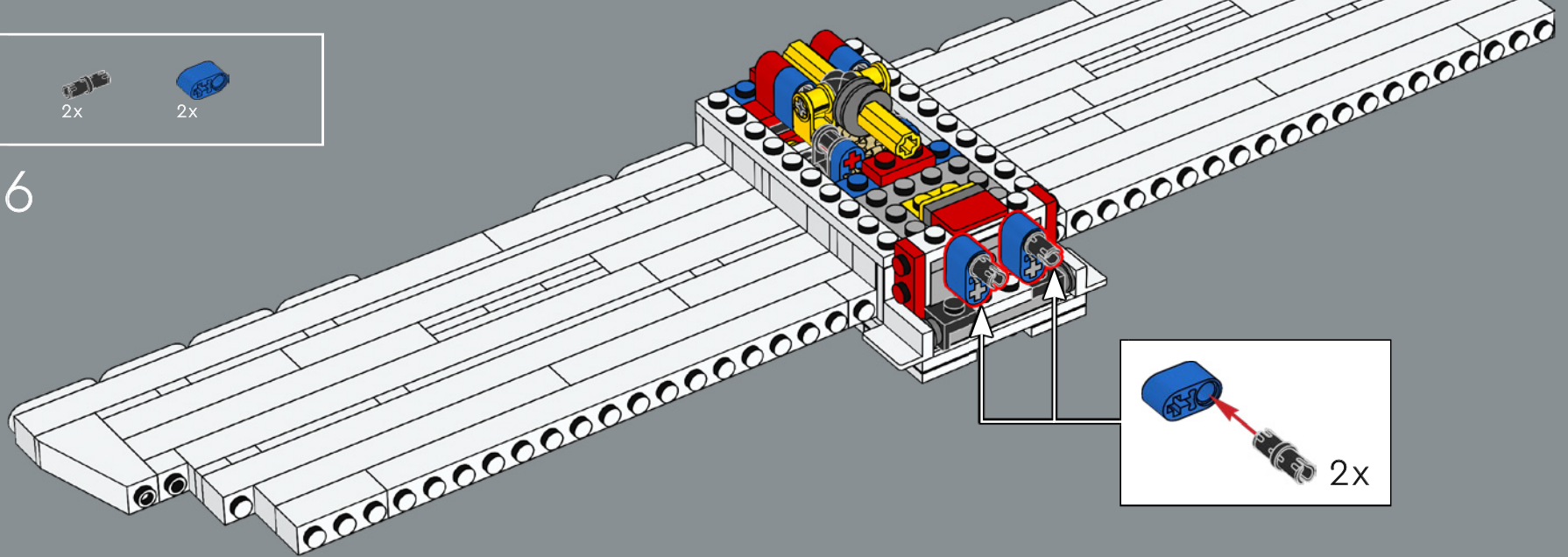
45



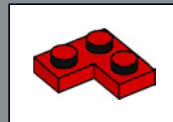
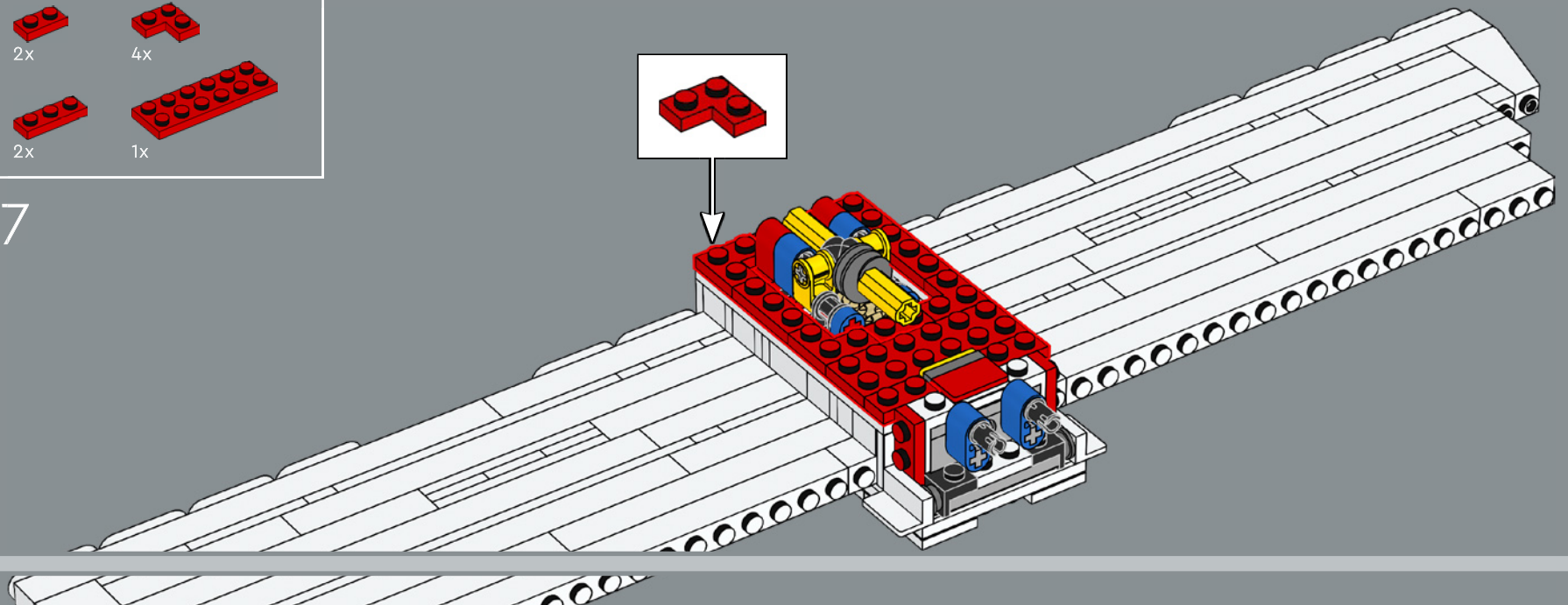




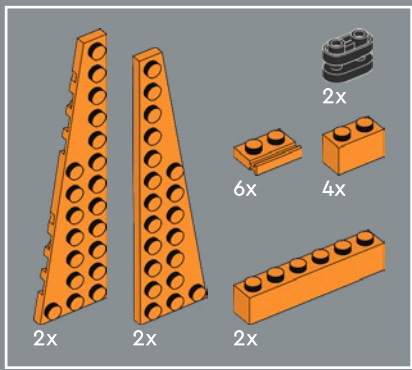
46



47

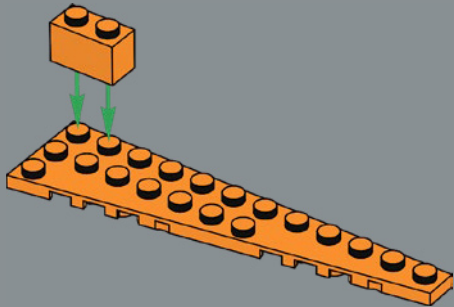




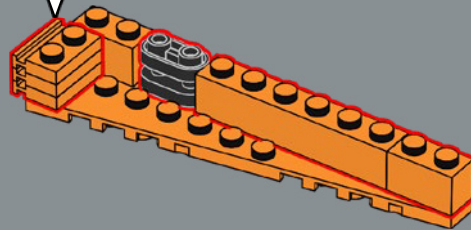
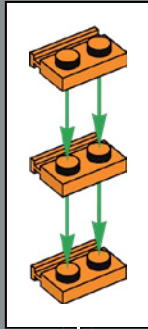


48

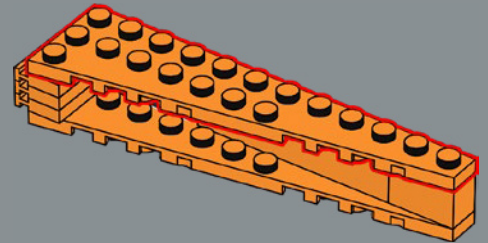
1



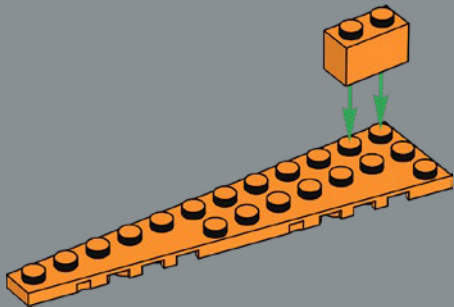
2



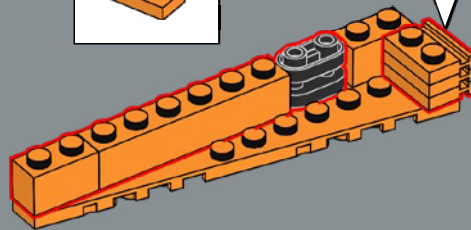
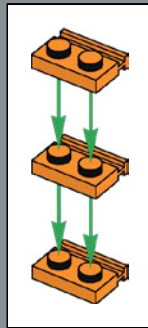
3



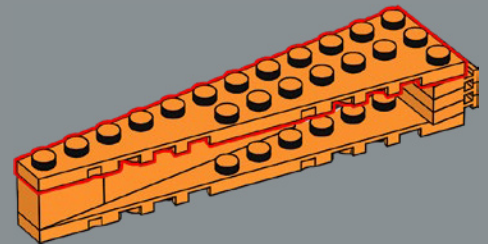
1

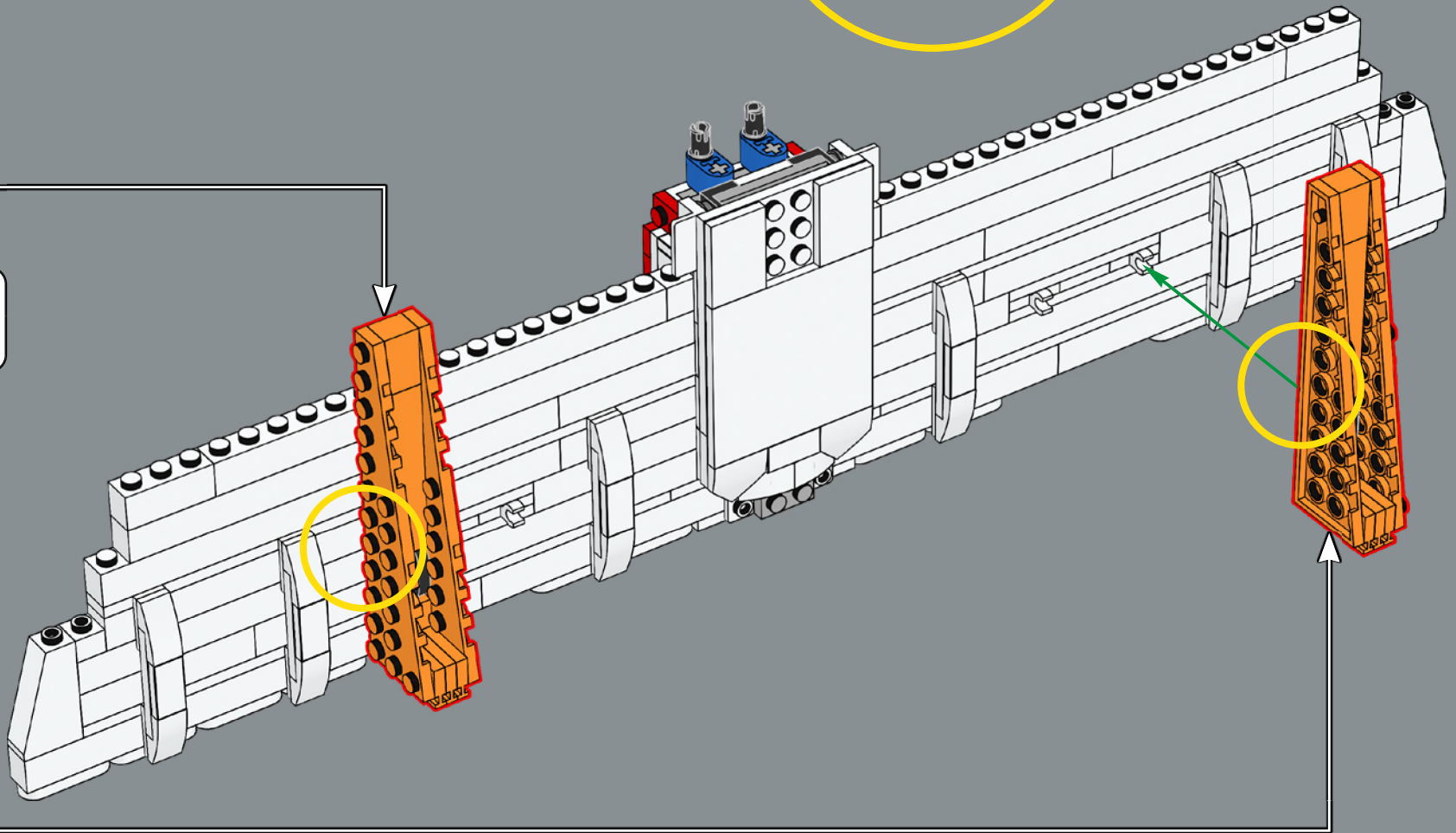


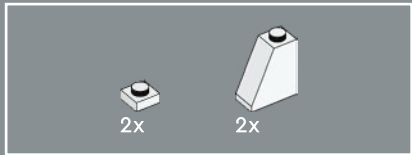
2



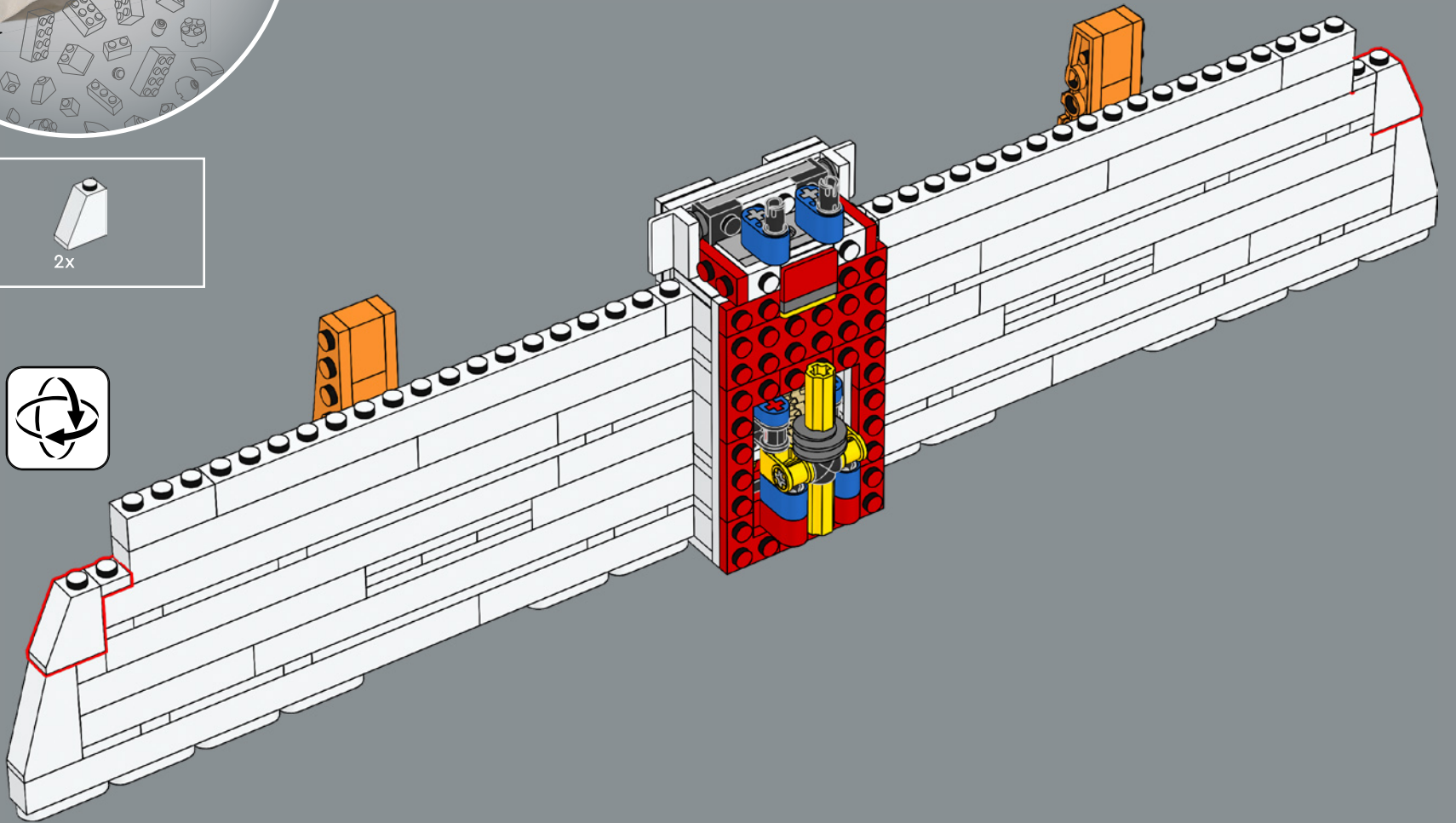
3

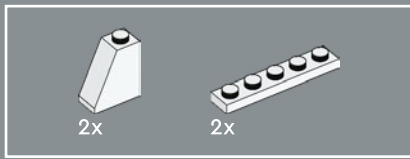




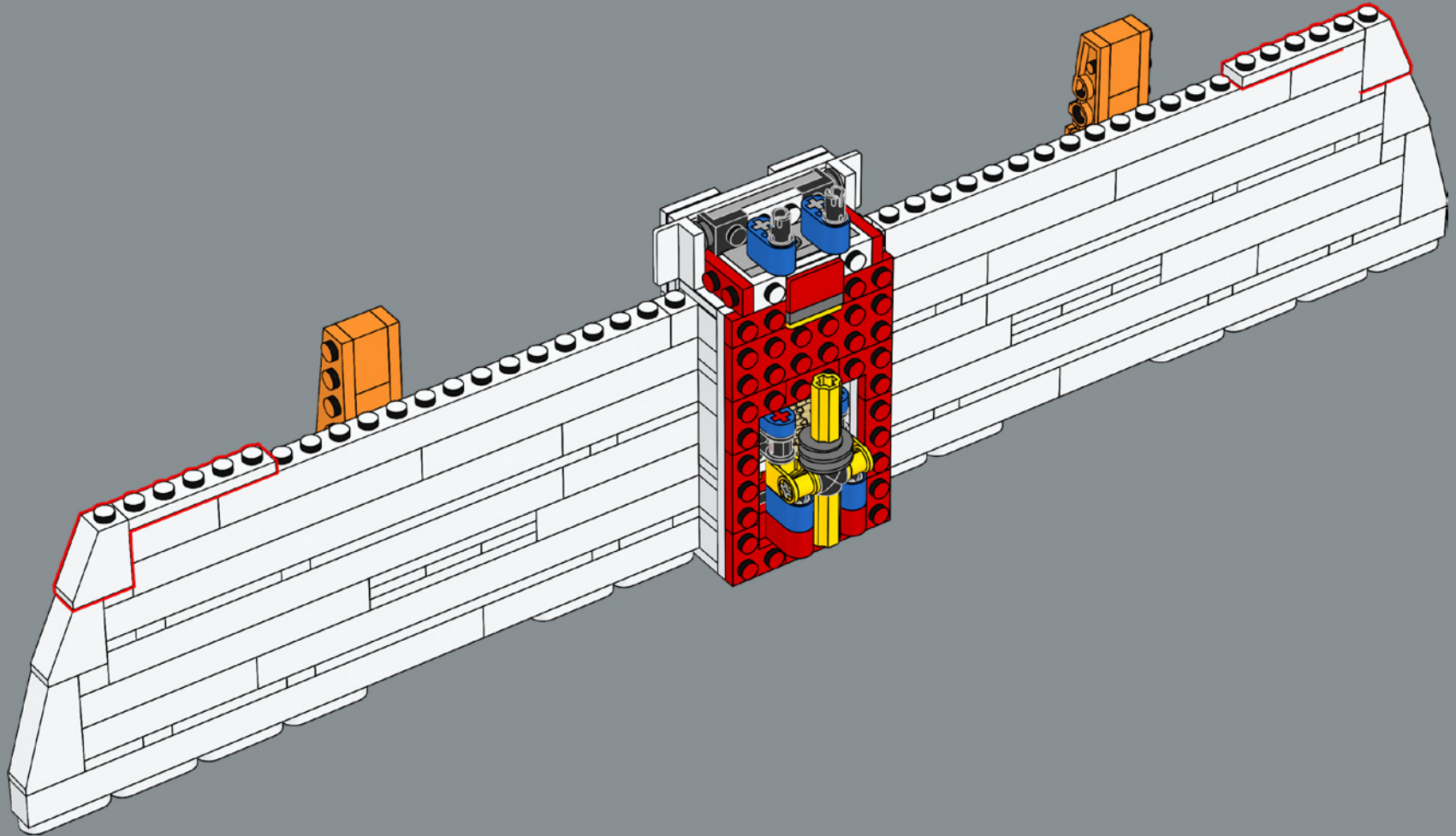


49

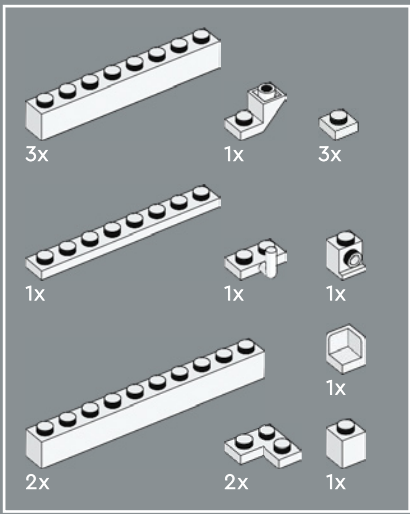




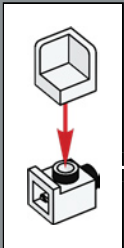
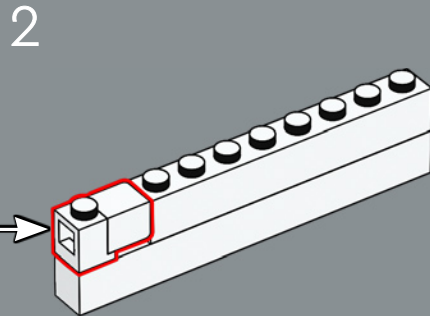
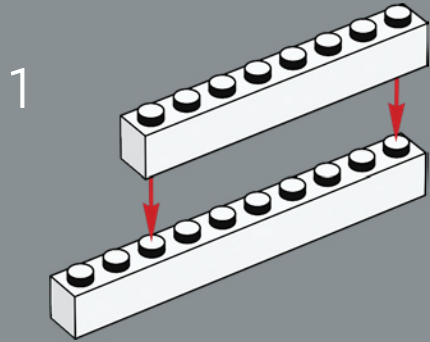
50



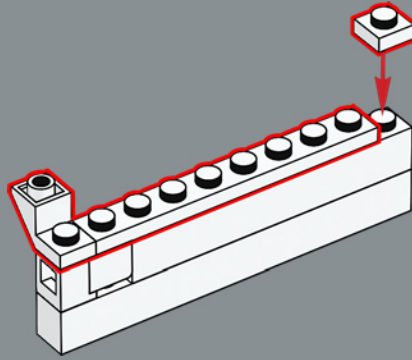




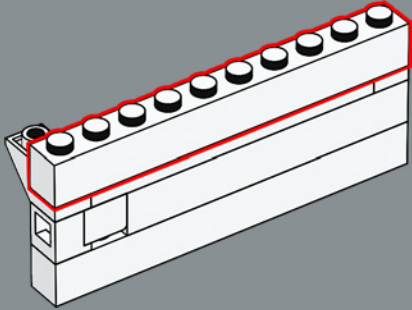
51



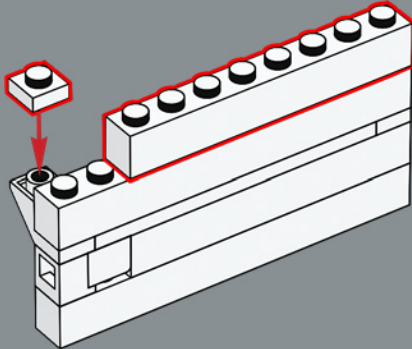
3



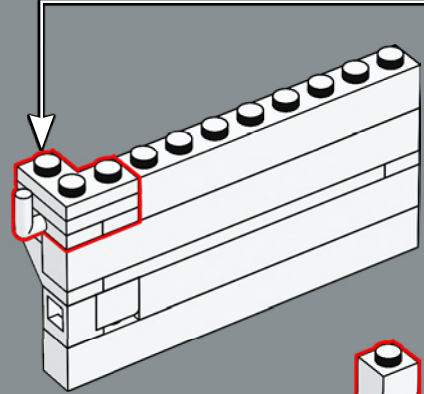
4



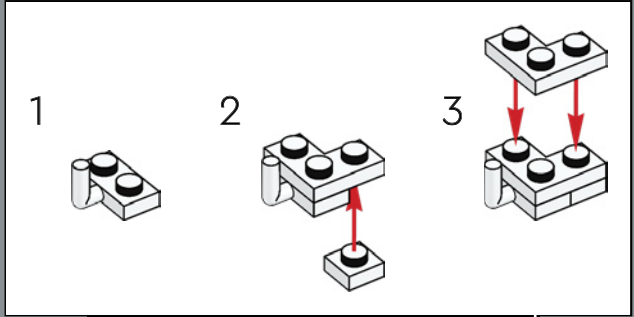
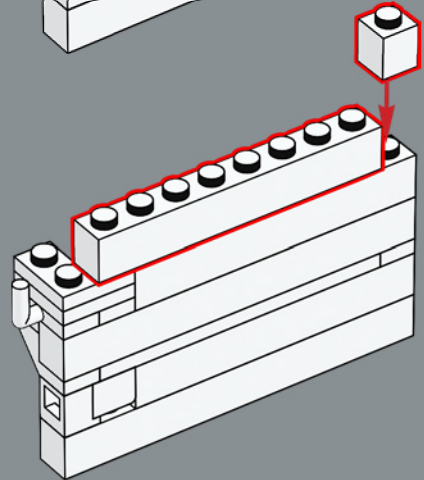
5

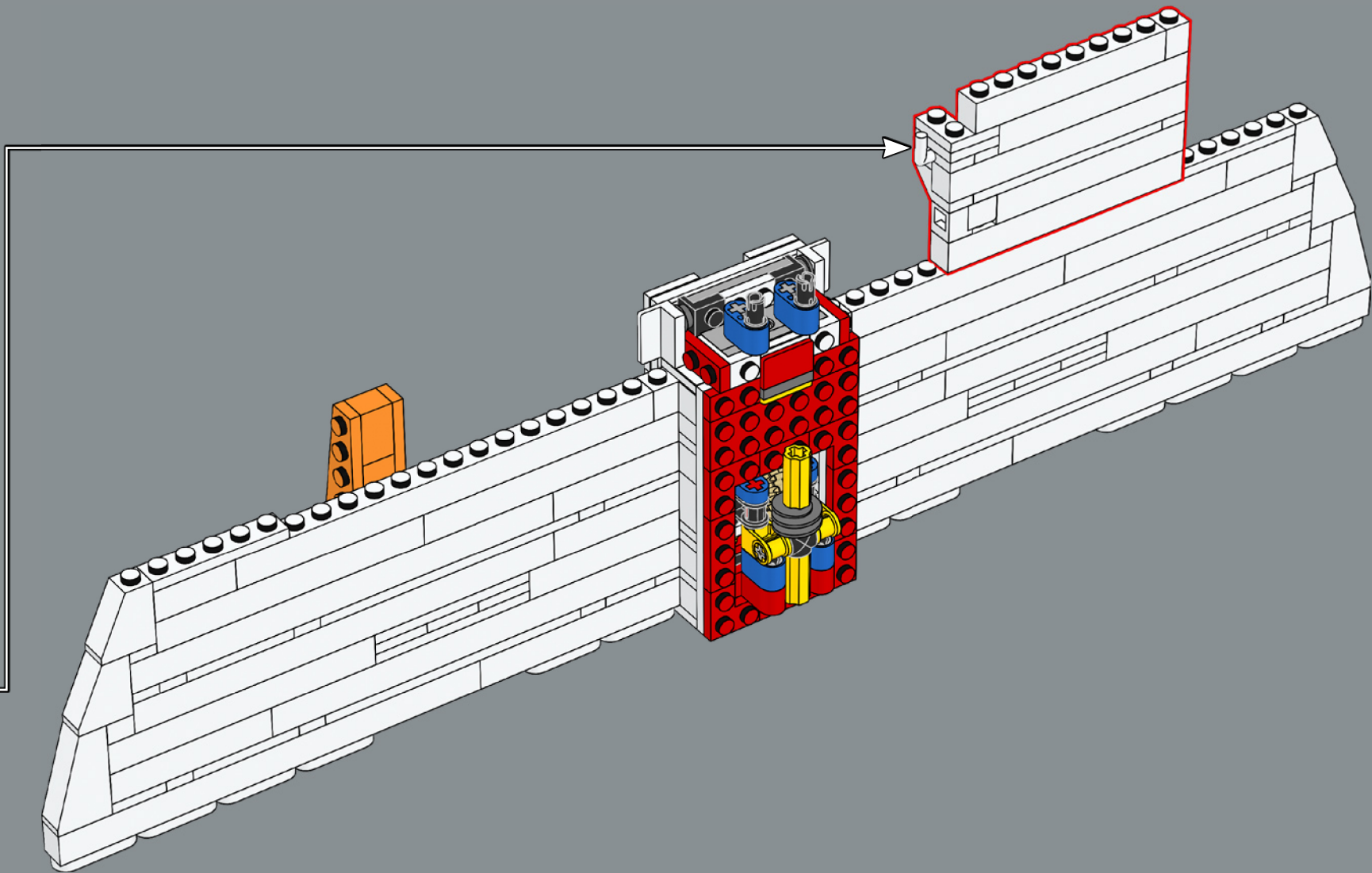


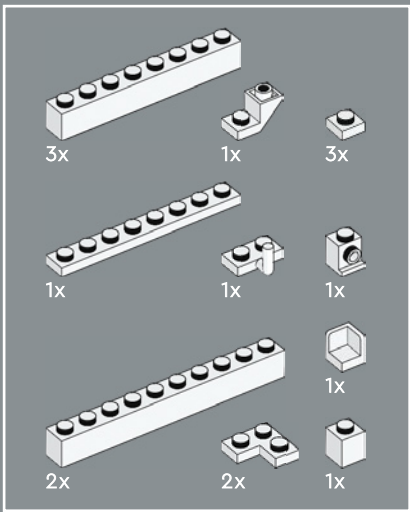
6



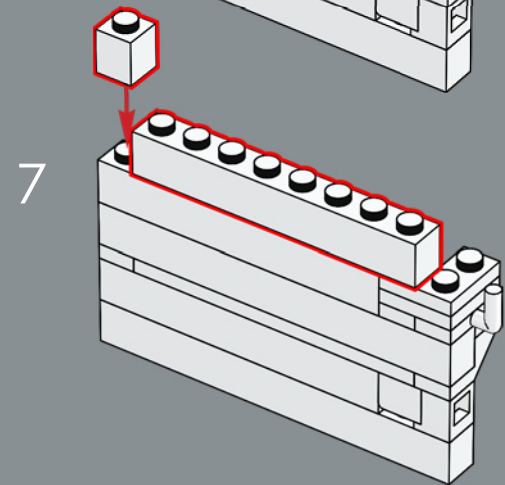
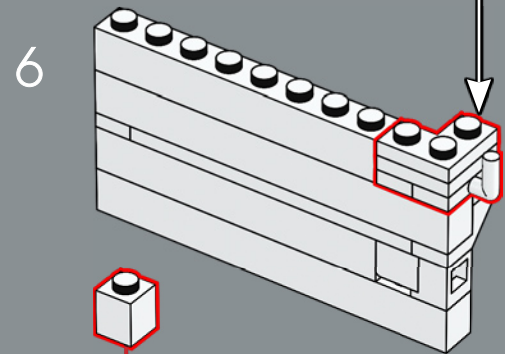
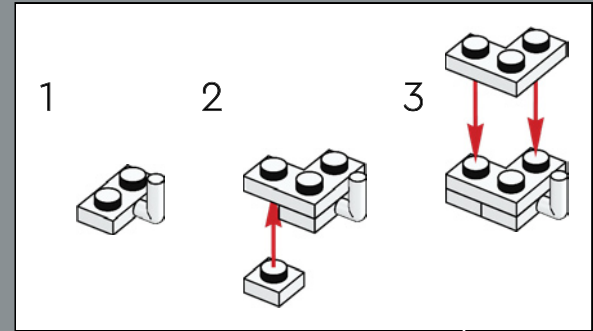
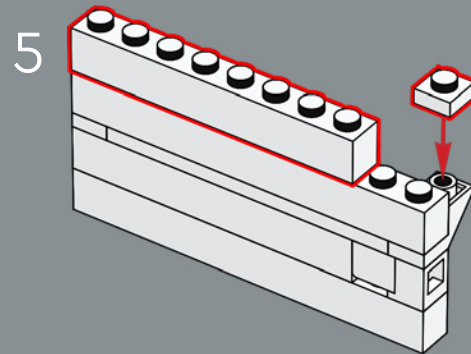
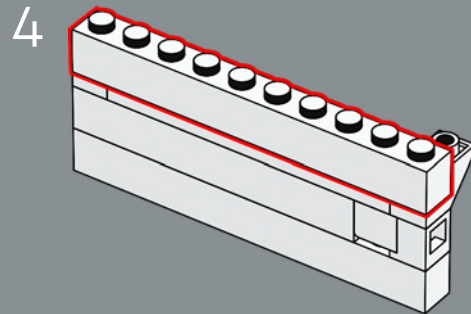
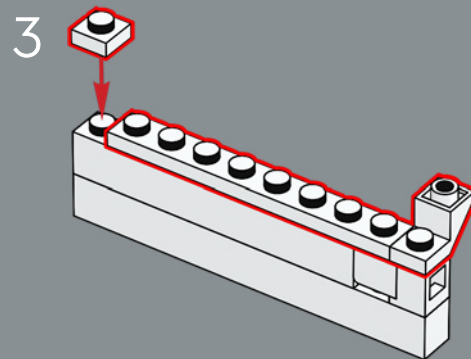
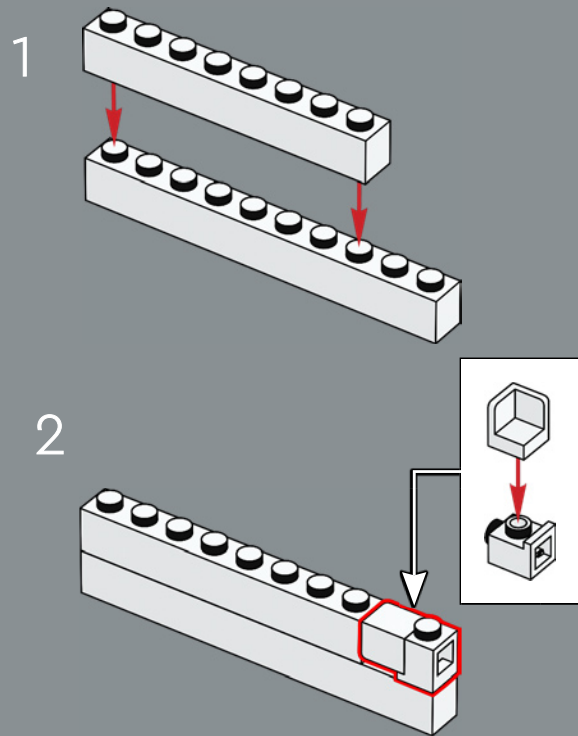
7

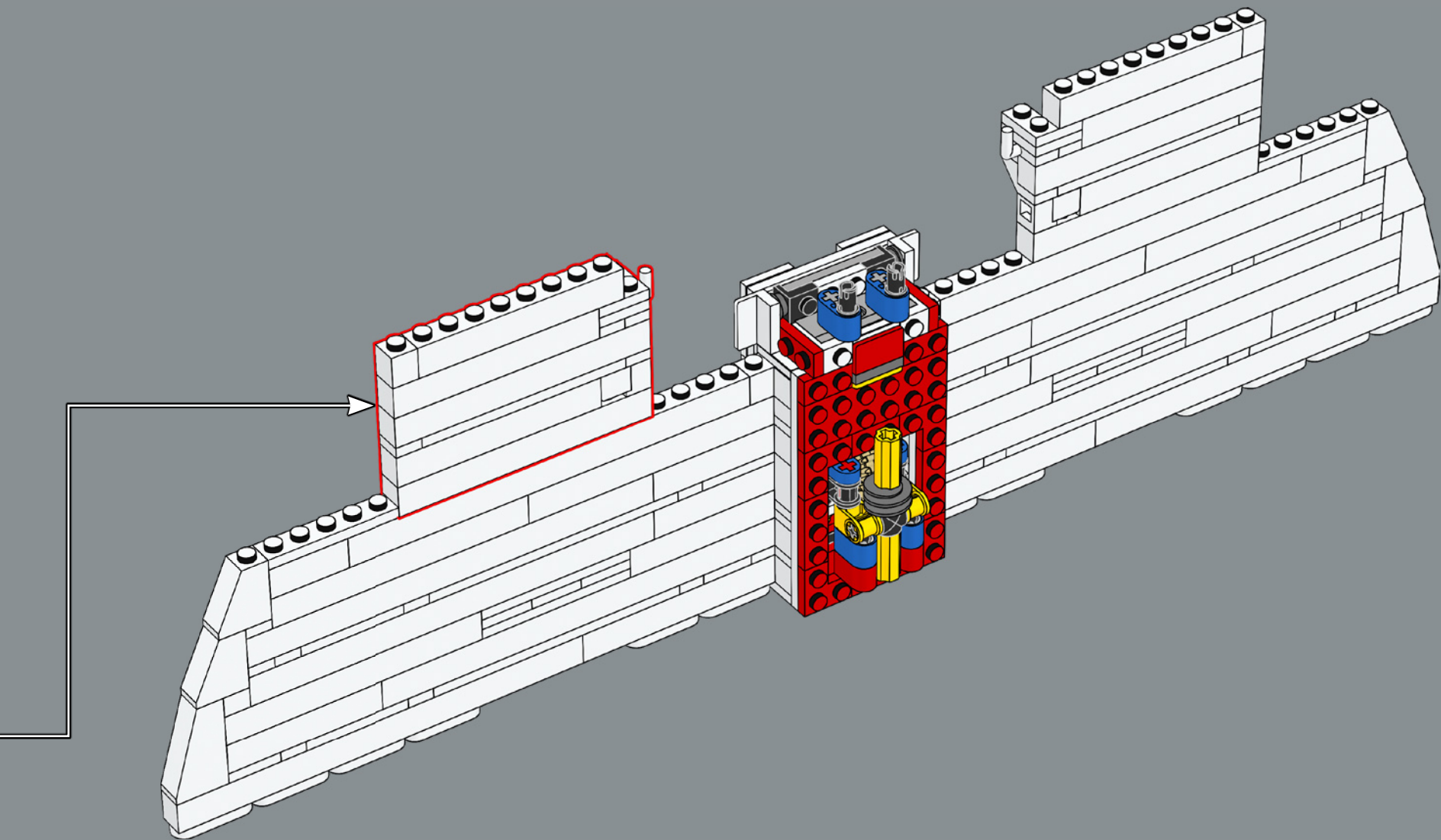




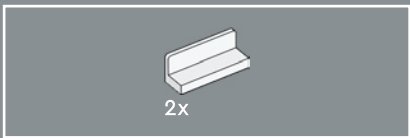


52



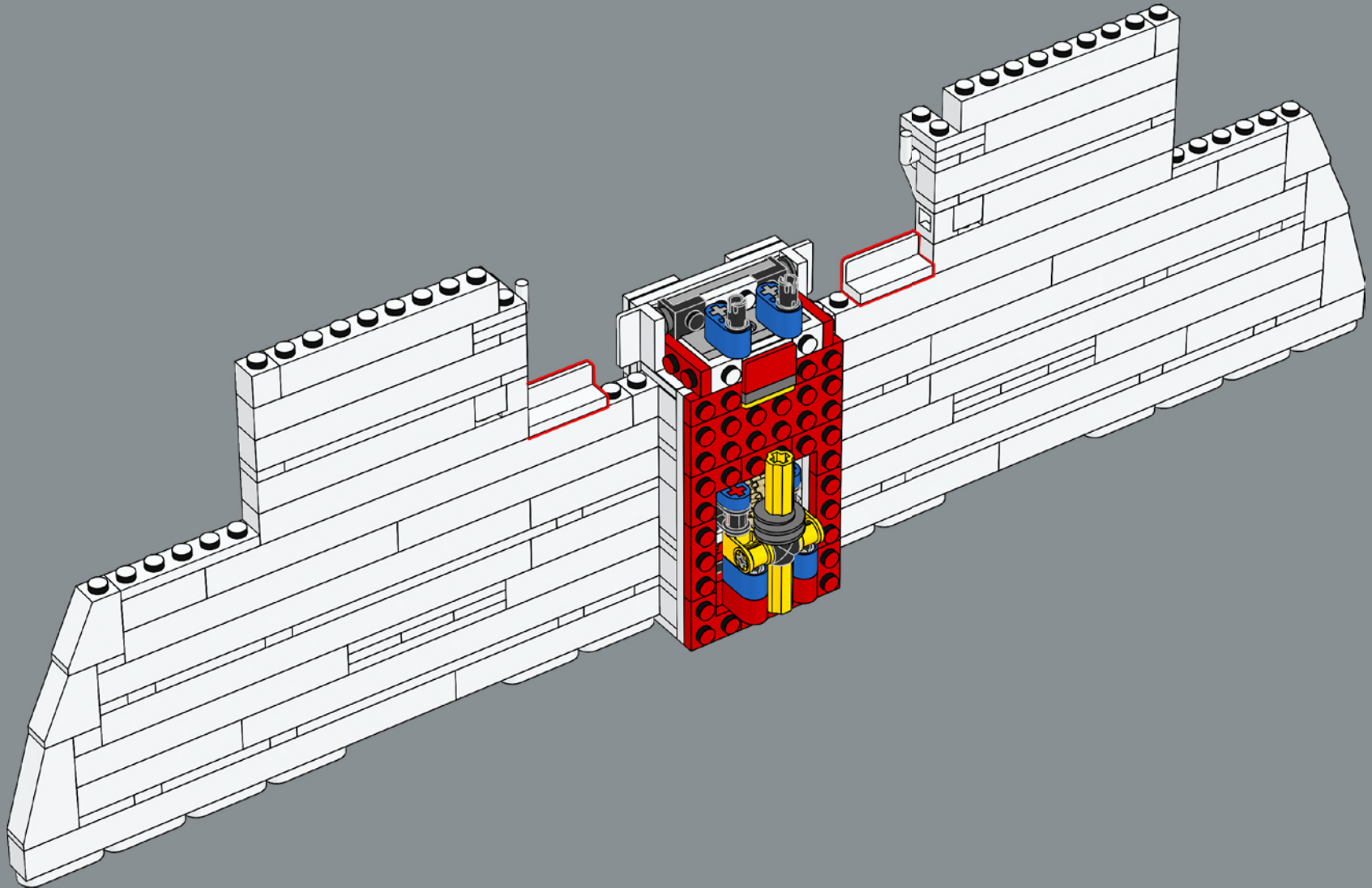


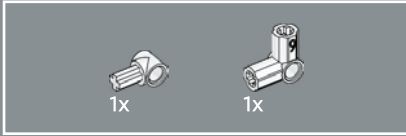
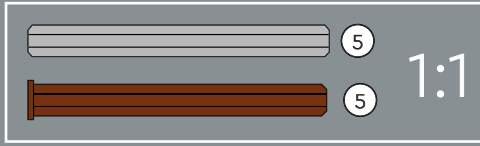
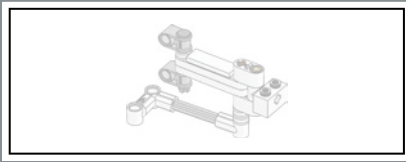




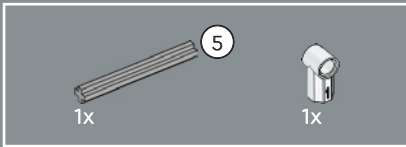
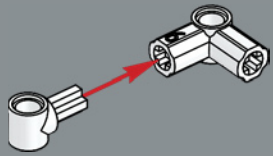
Concorde had a tricycle landing gear configuration. The mechanism you're now building will trigger the main landing gear, situated in the middle of the delta wing.

53

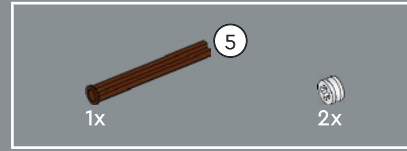
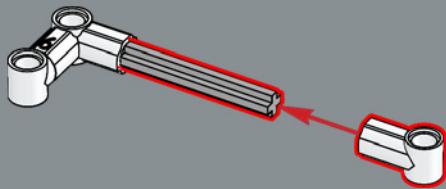




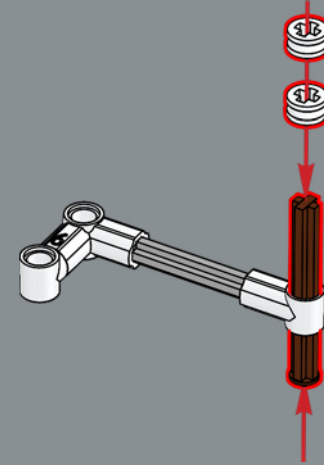
54



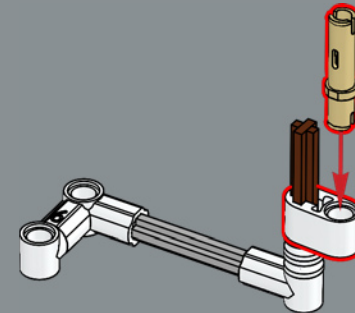
55

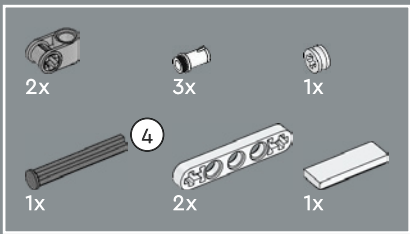


56

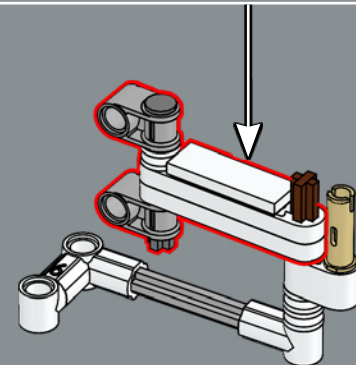
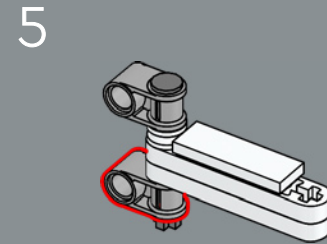
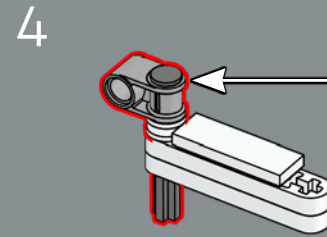
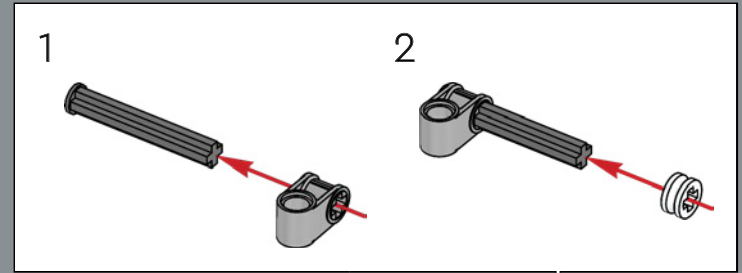
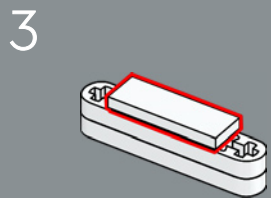
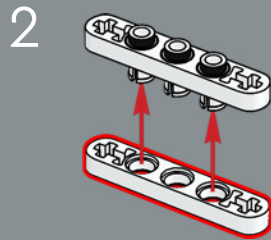
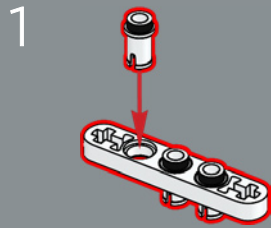


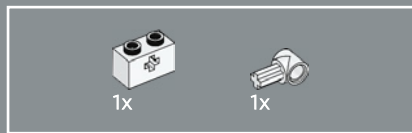
57



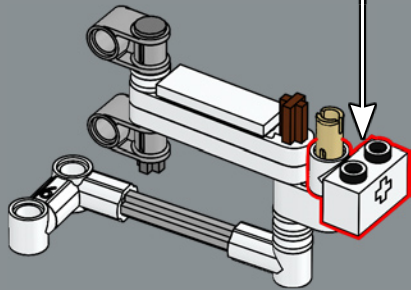
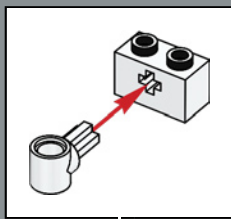


58

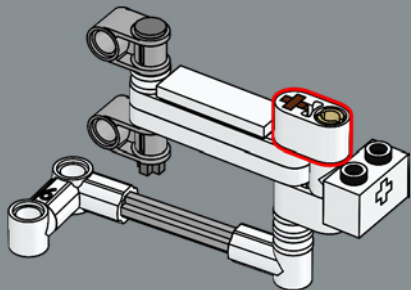




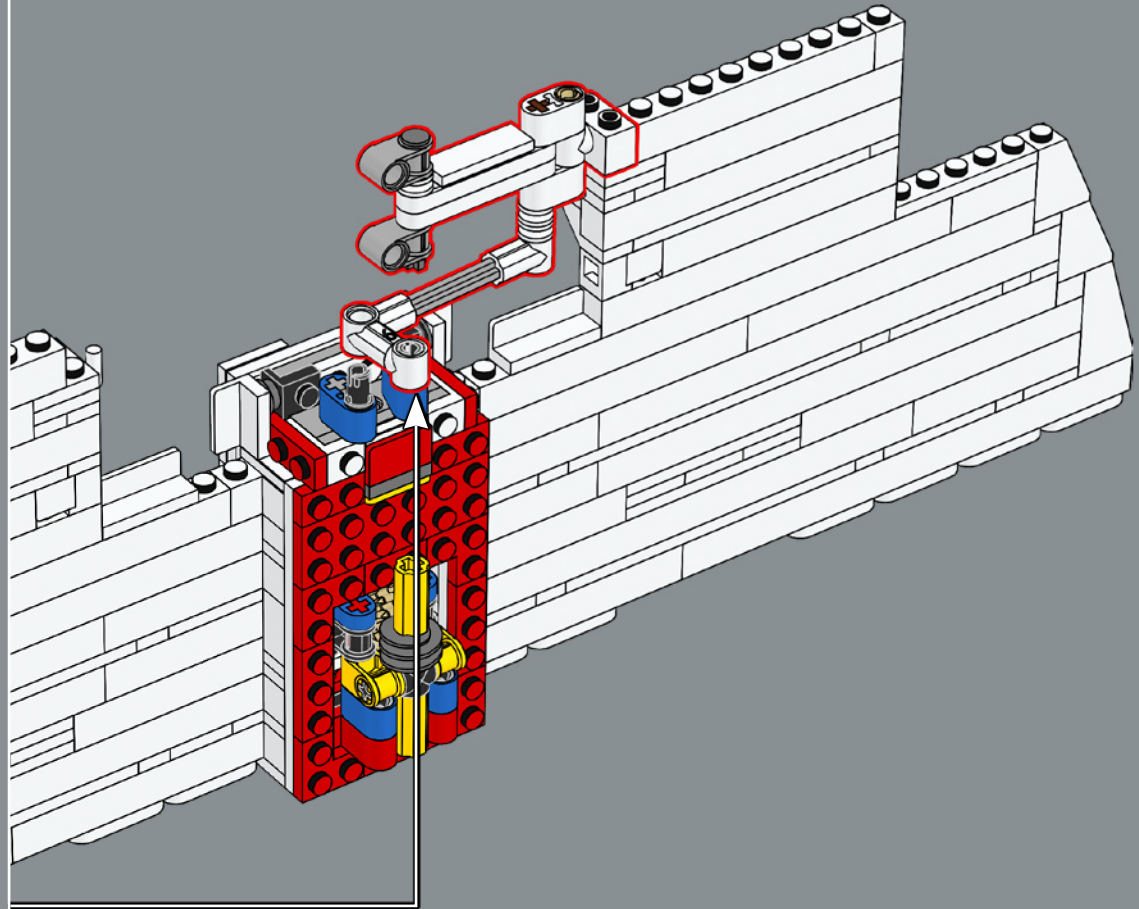
59



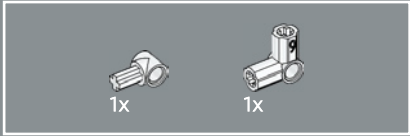
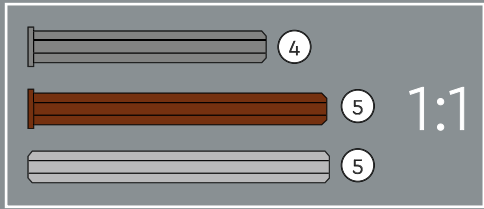
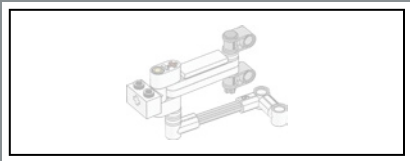
60



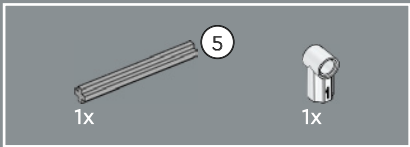
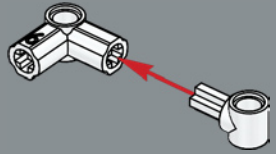
61



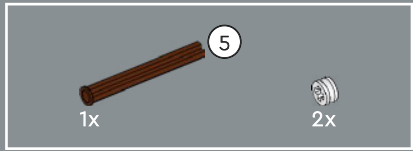
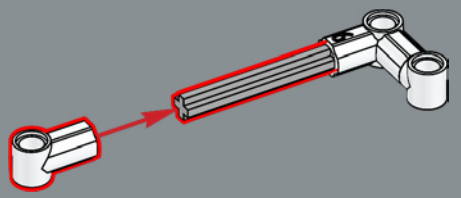




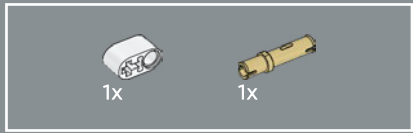
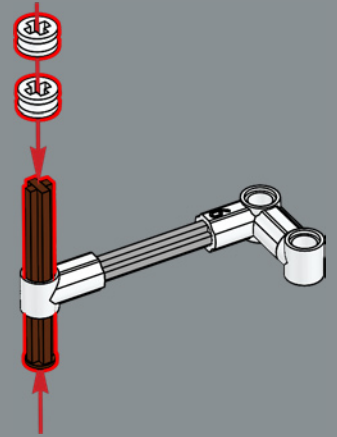
62



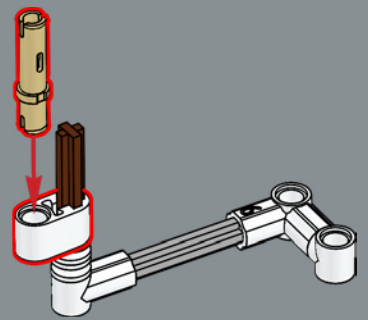
63

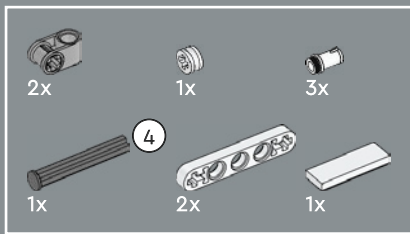


64

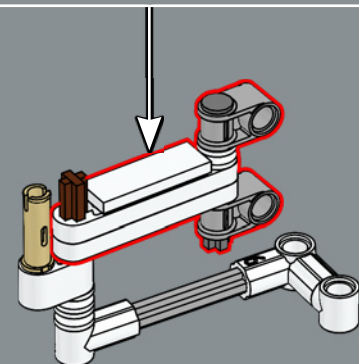
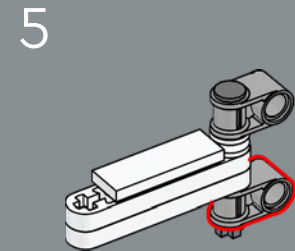
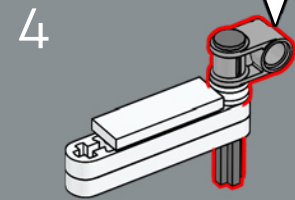
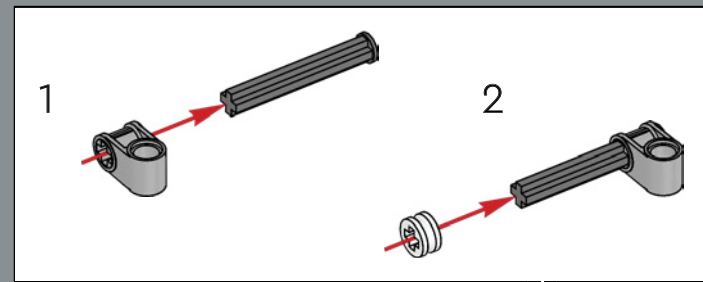
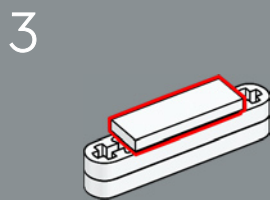
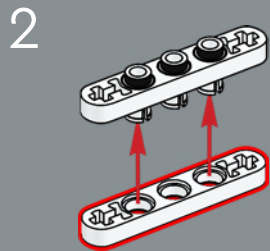
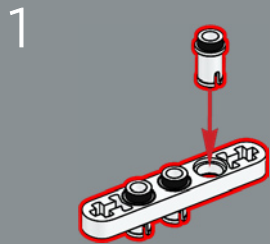


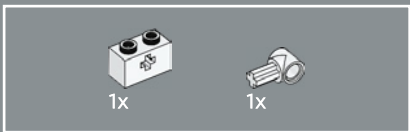
65



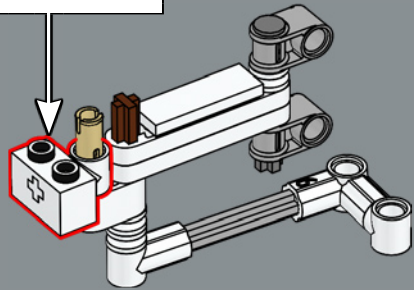
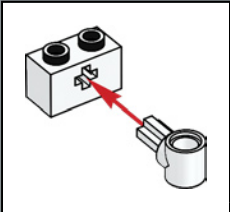


66

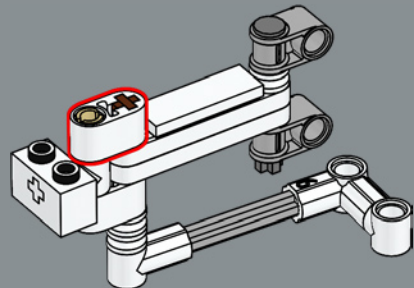




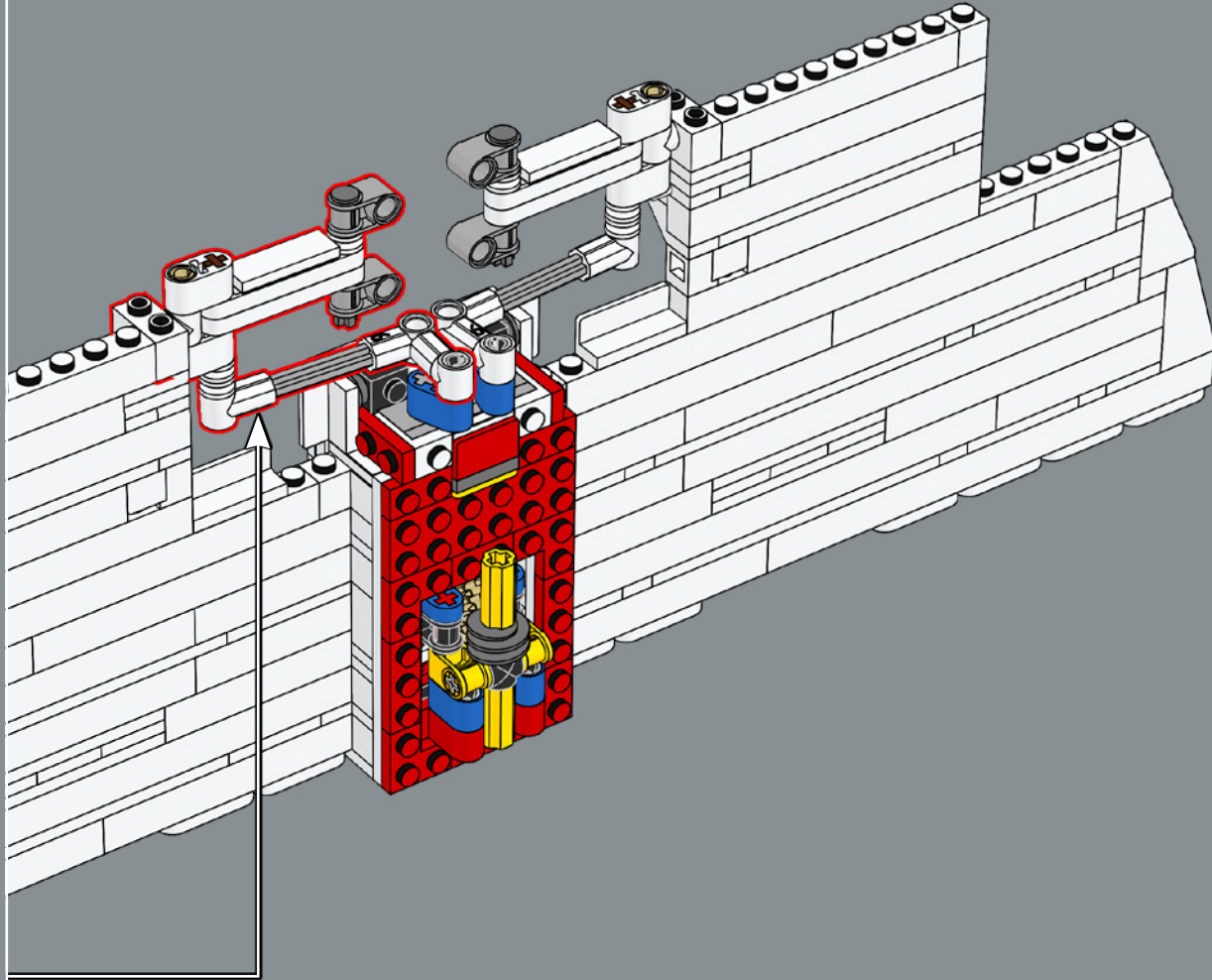
67



68

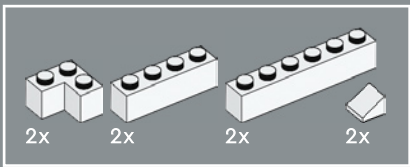


69

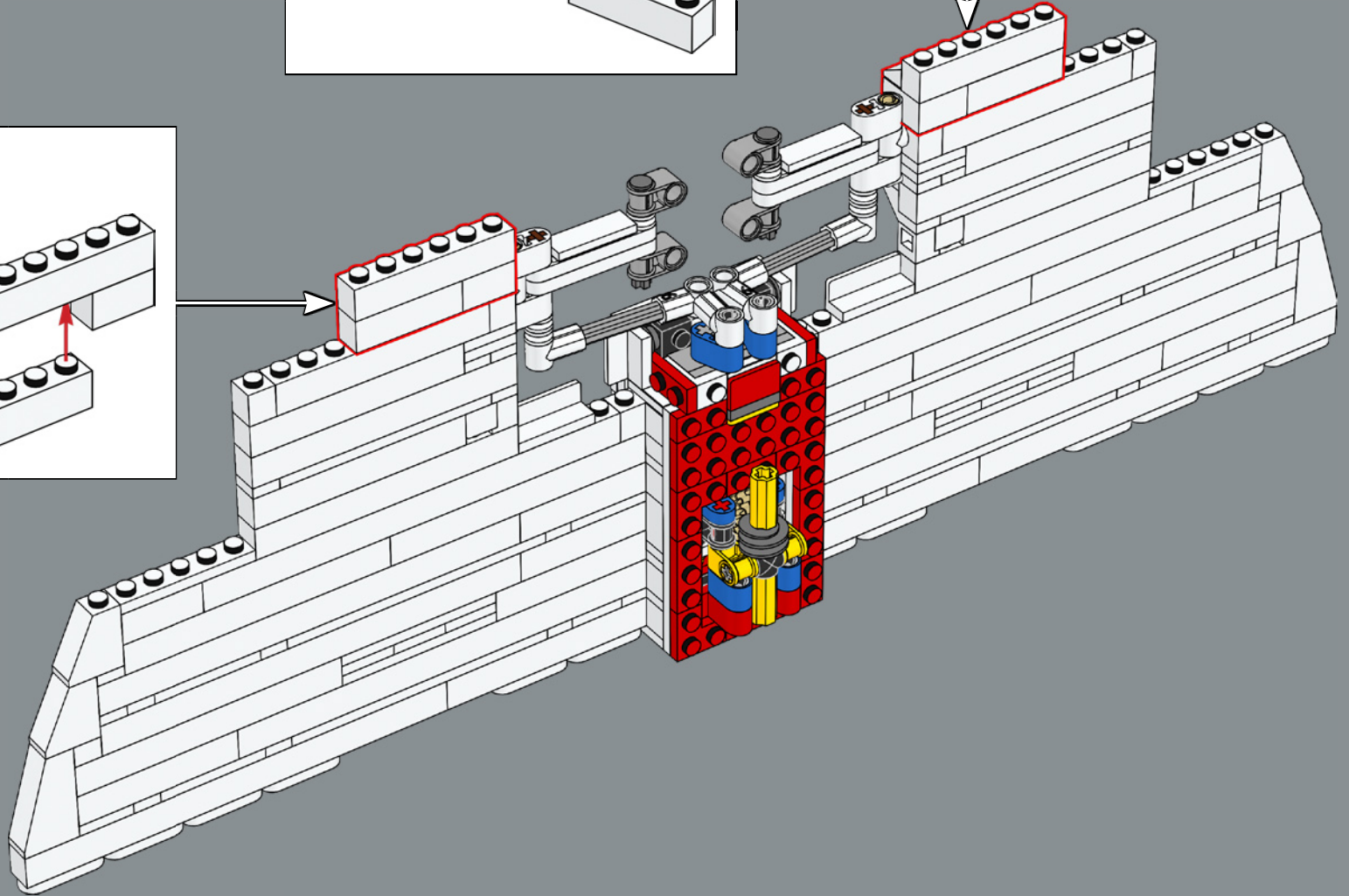
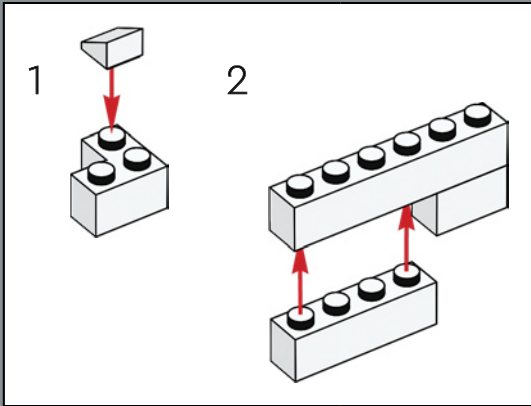
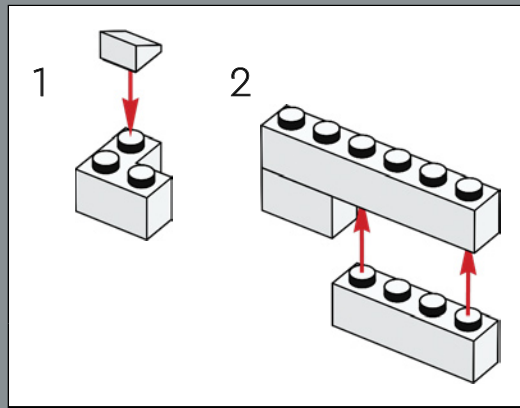


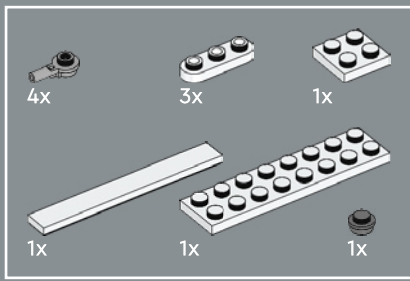




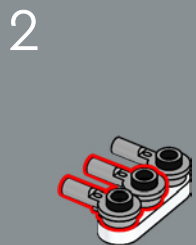
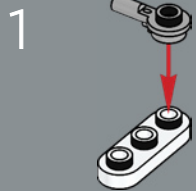


70

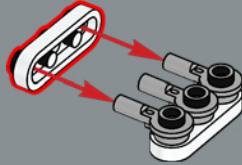




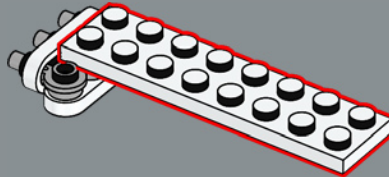
71



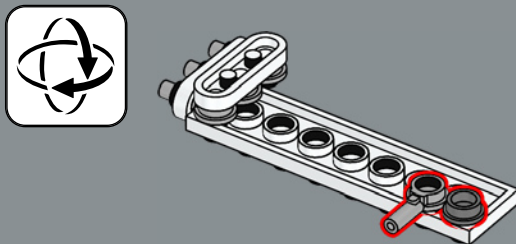
3



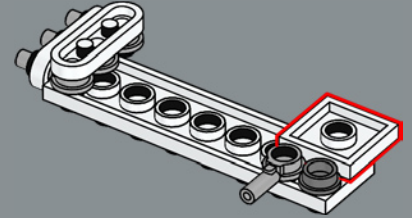
4



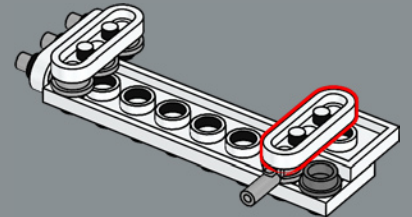
5



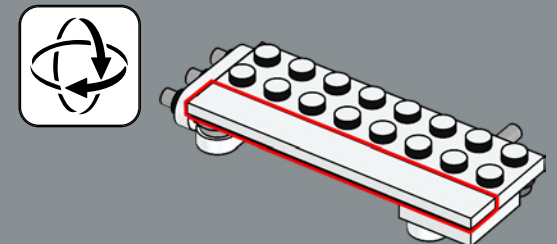
6

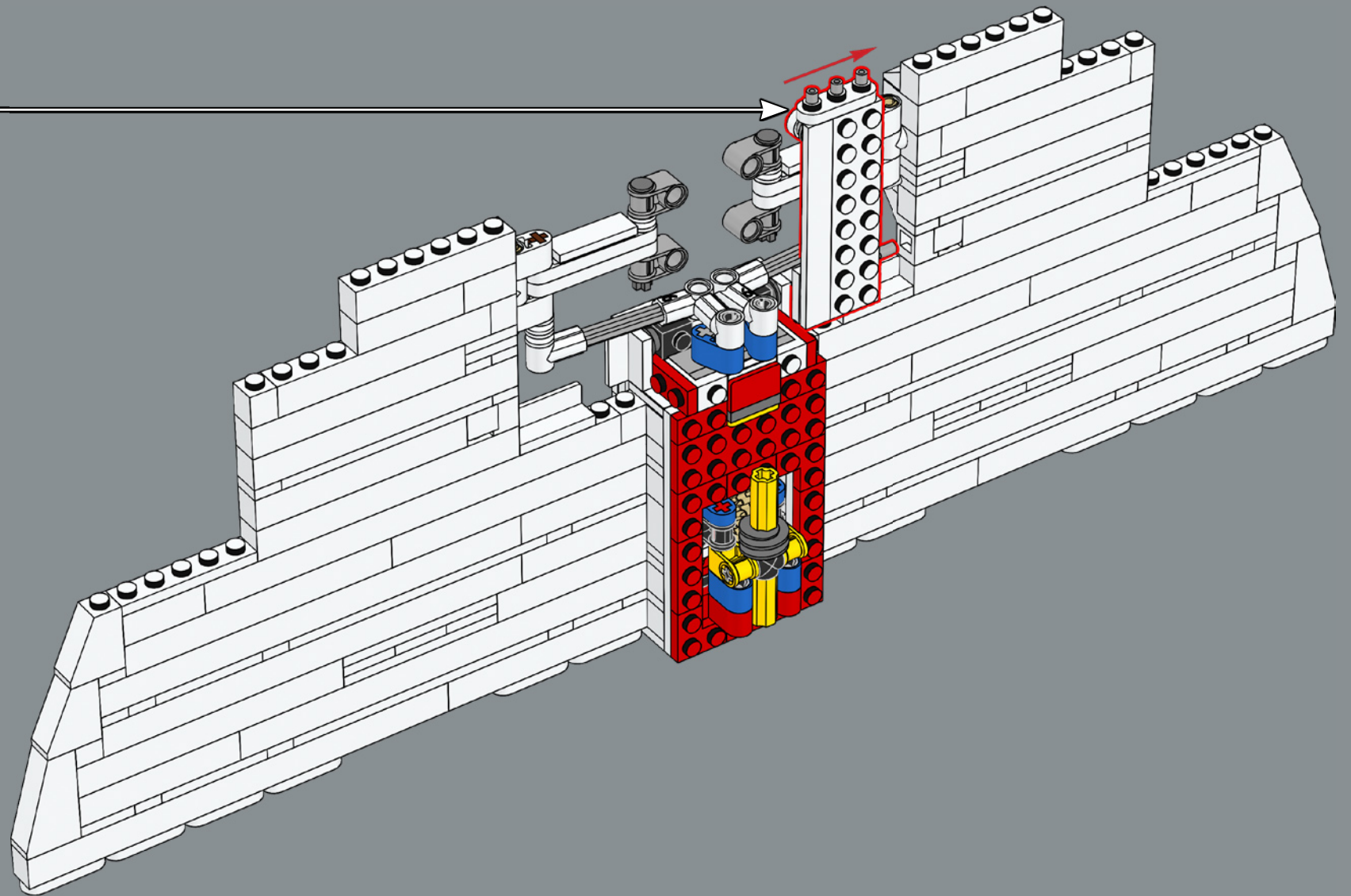


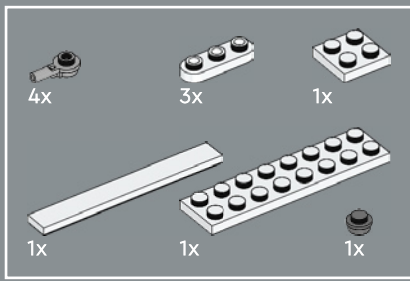
7



8

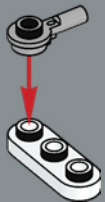






72

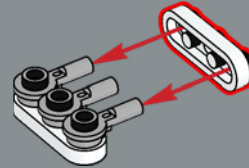
1



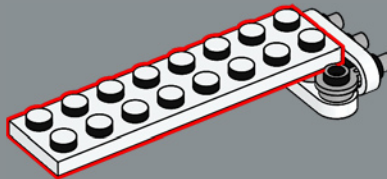
2



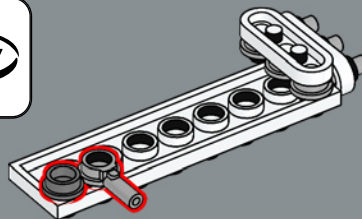
3



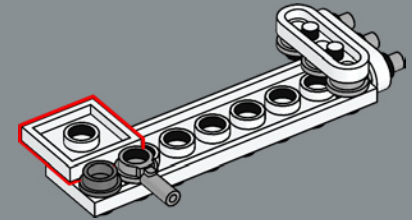
4



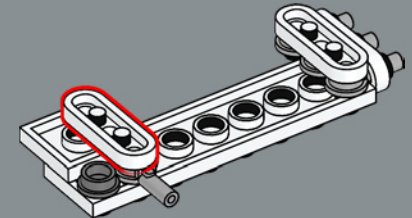
5



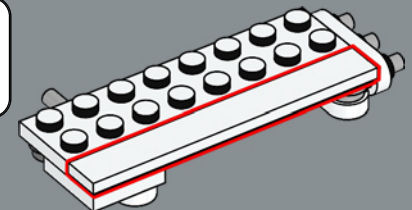
6



7



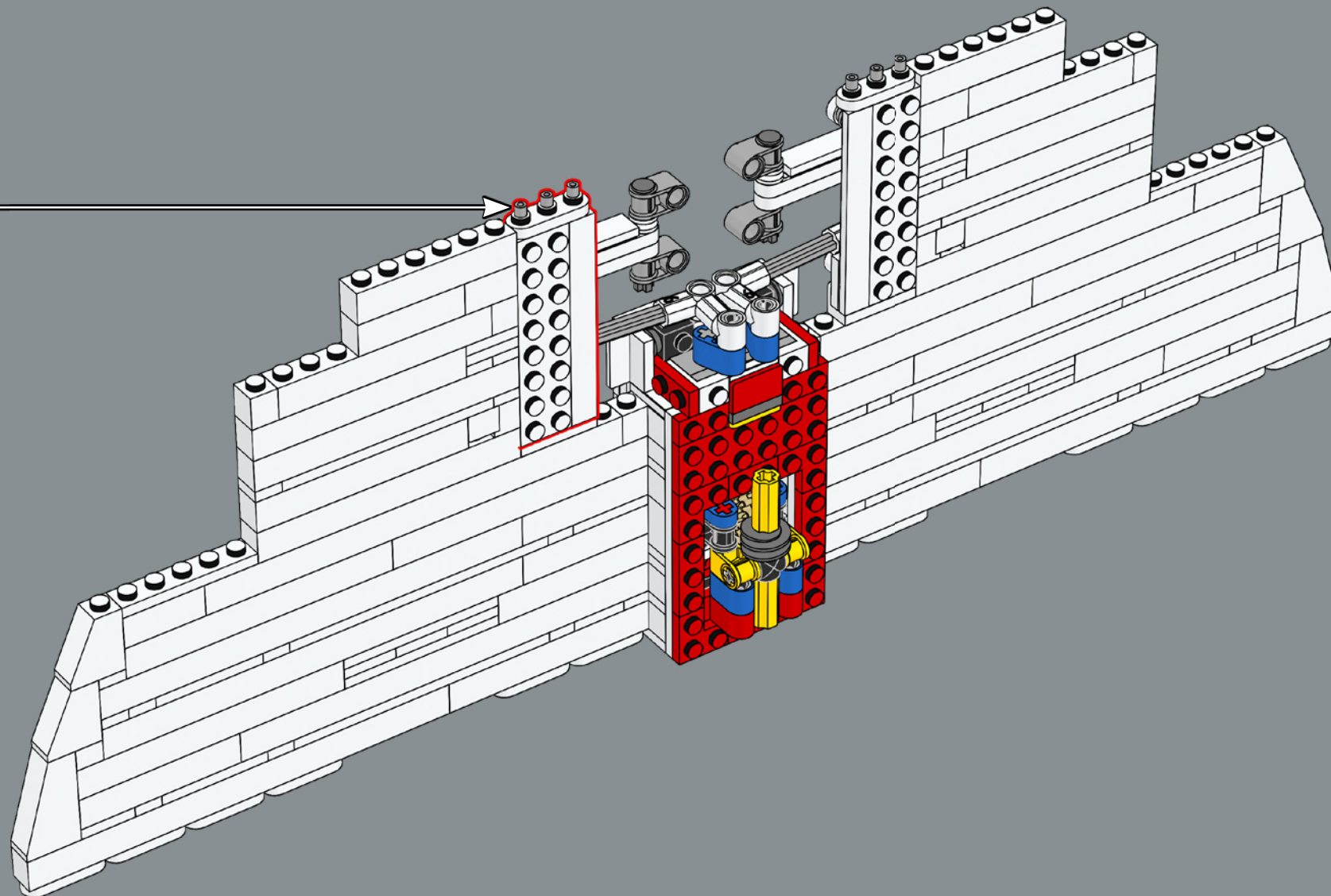
8





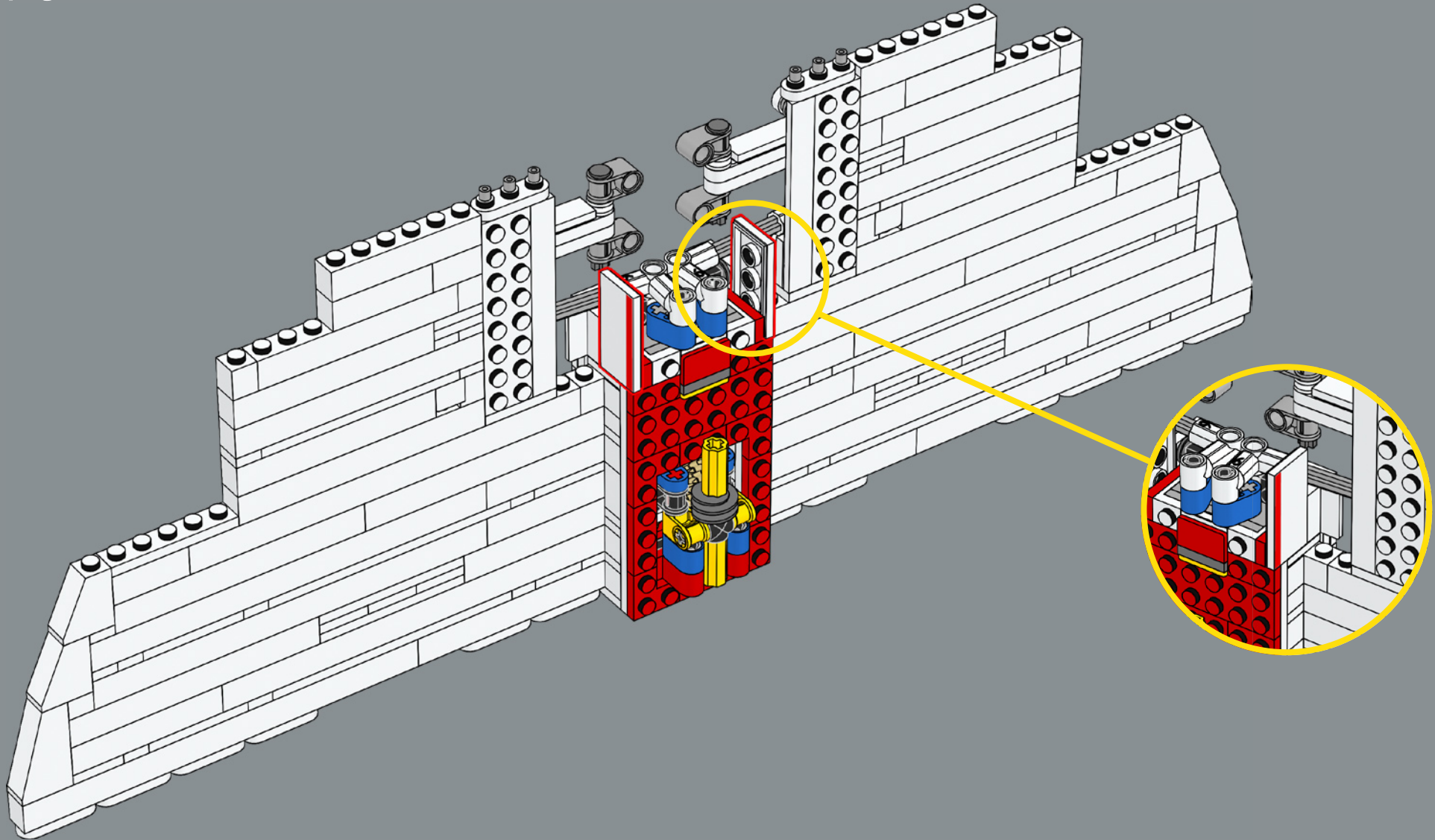


The aircraft required custom-made white paint in order to dissipate the heat generated by supersonic flight.

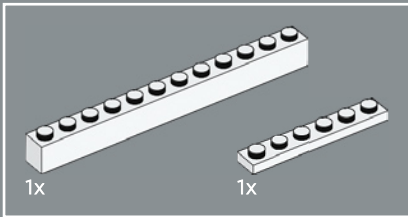
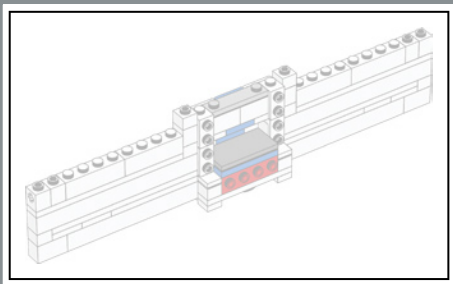




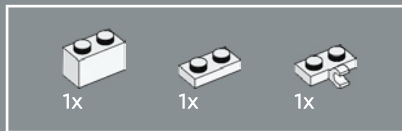
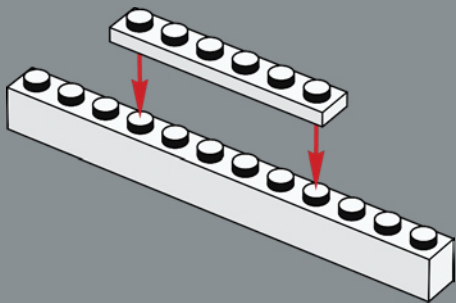
73



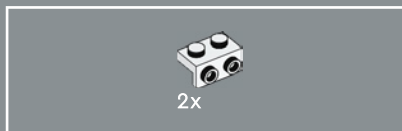
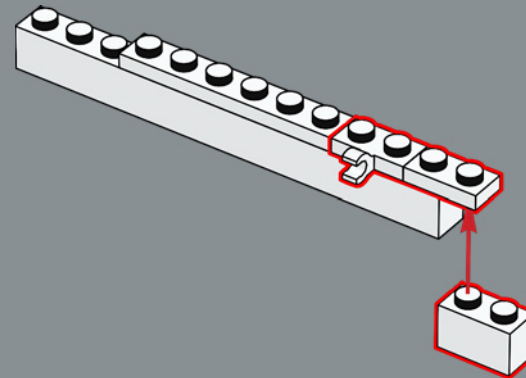




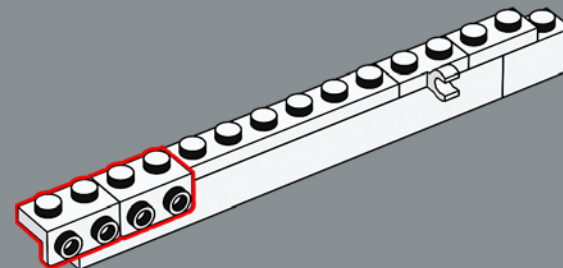
75



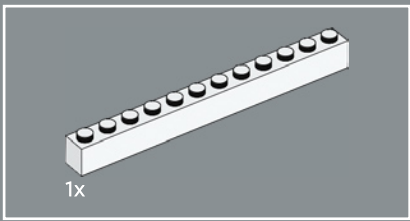
76



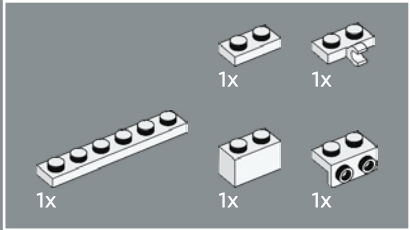
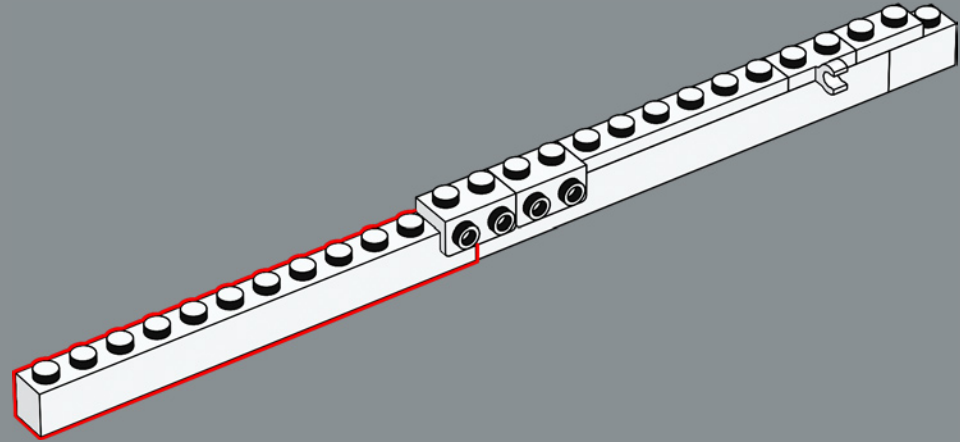
77



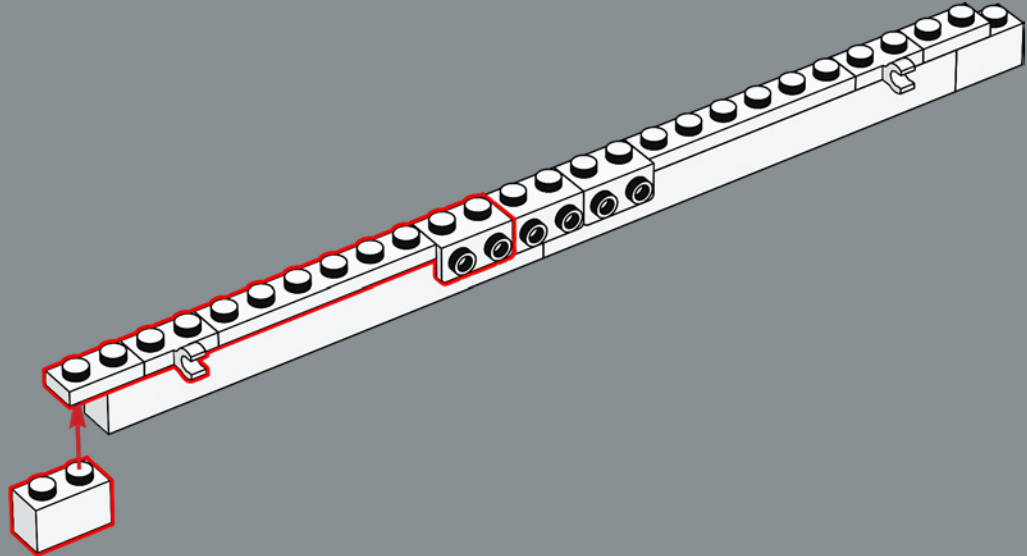


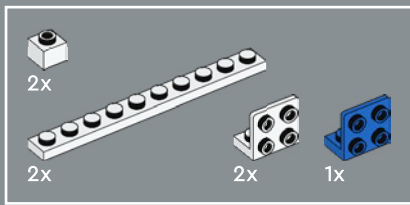


78

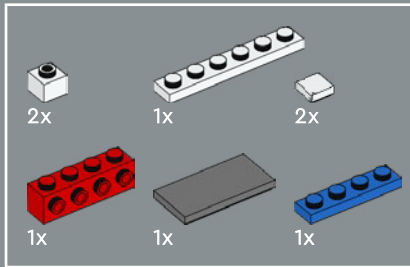
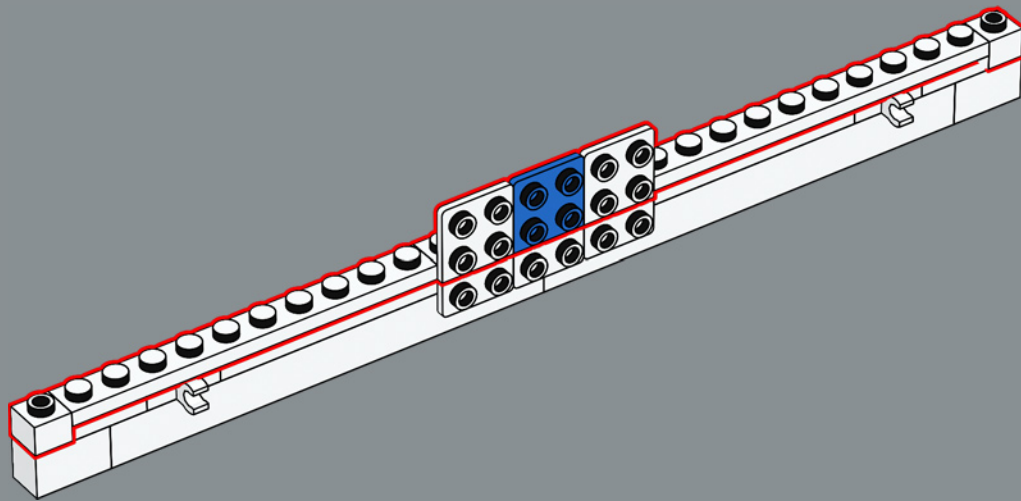


79

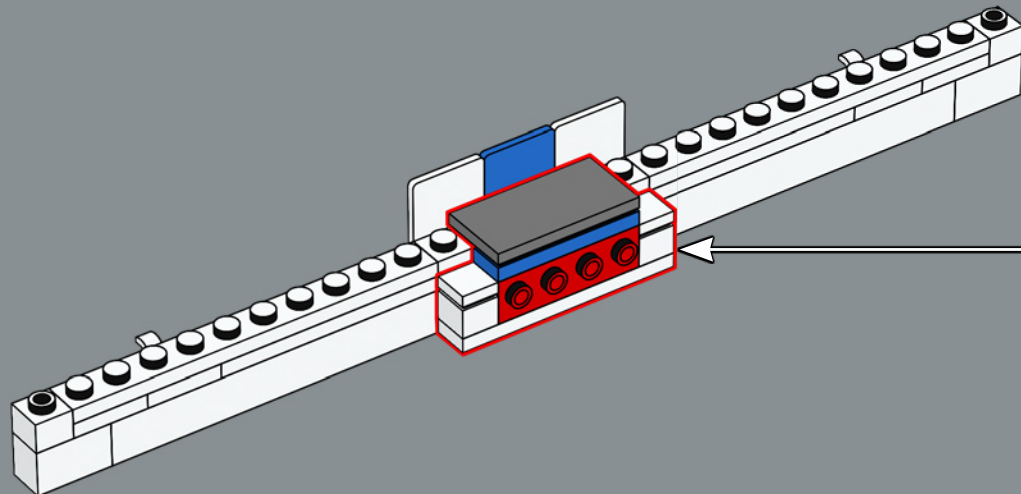
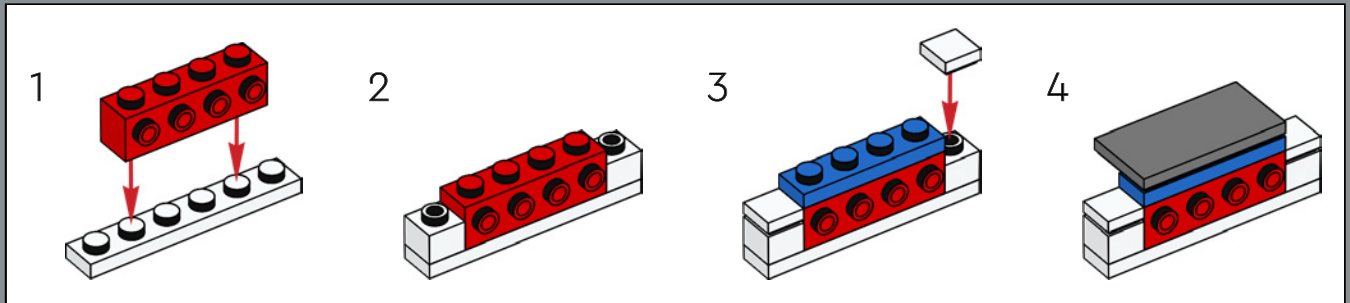


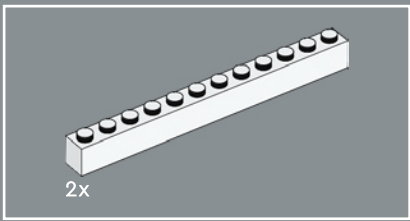


80

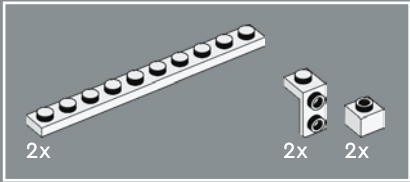
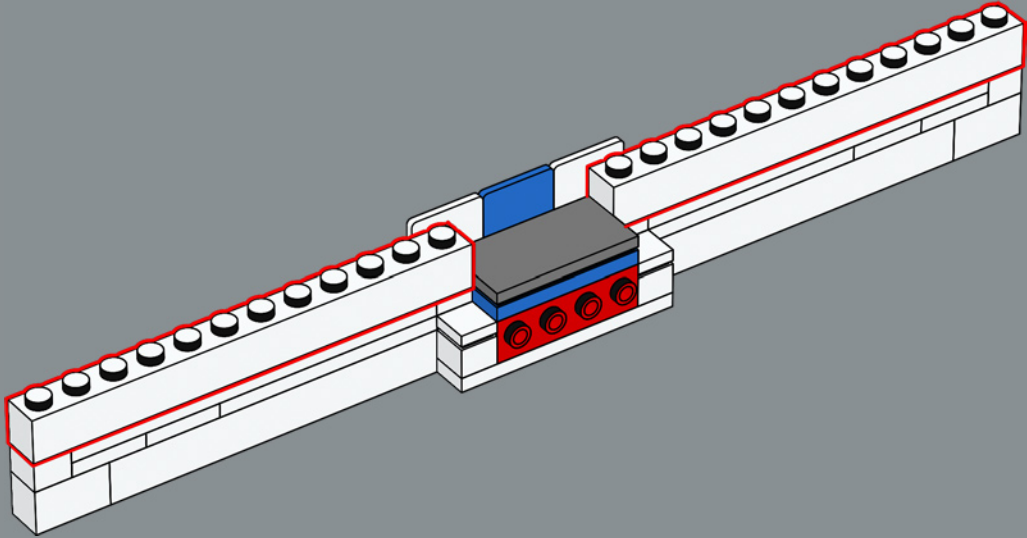


81

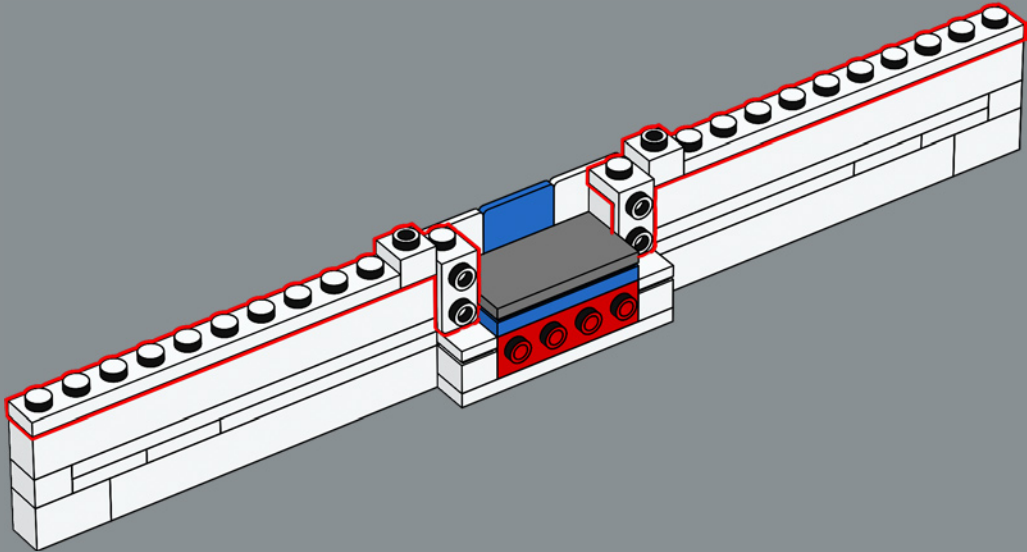


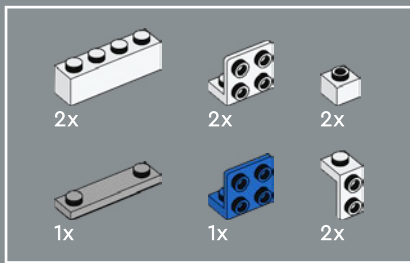


82

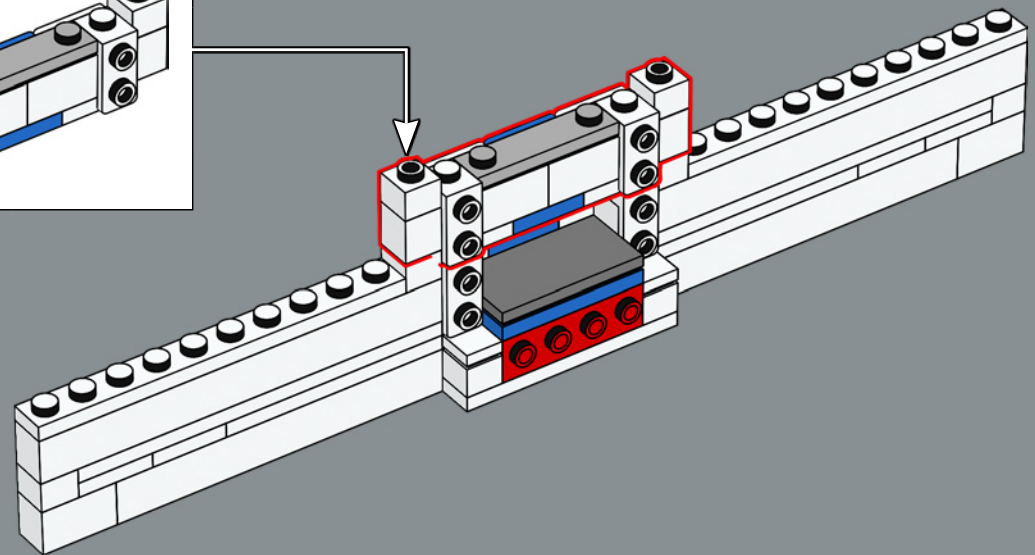
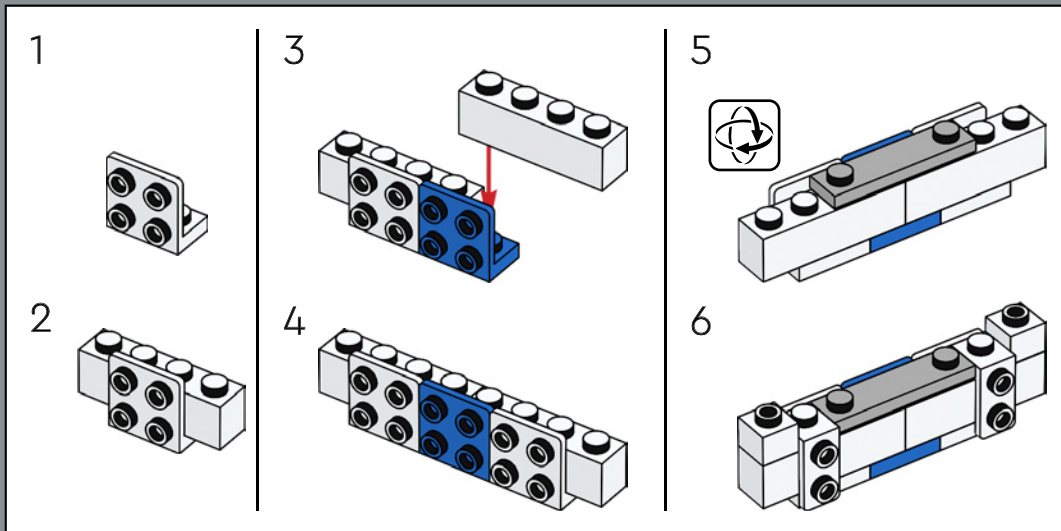


83

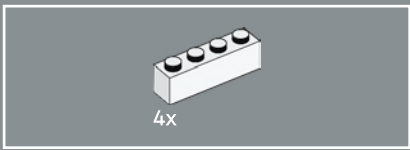




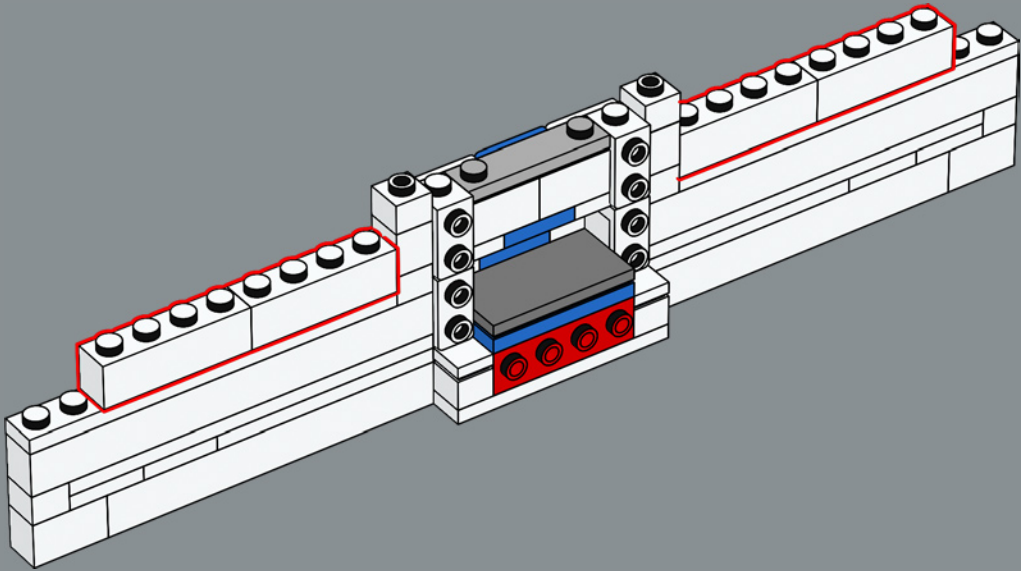
84



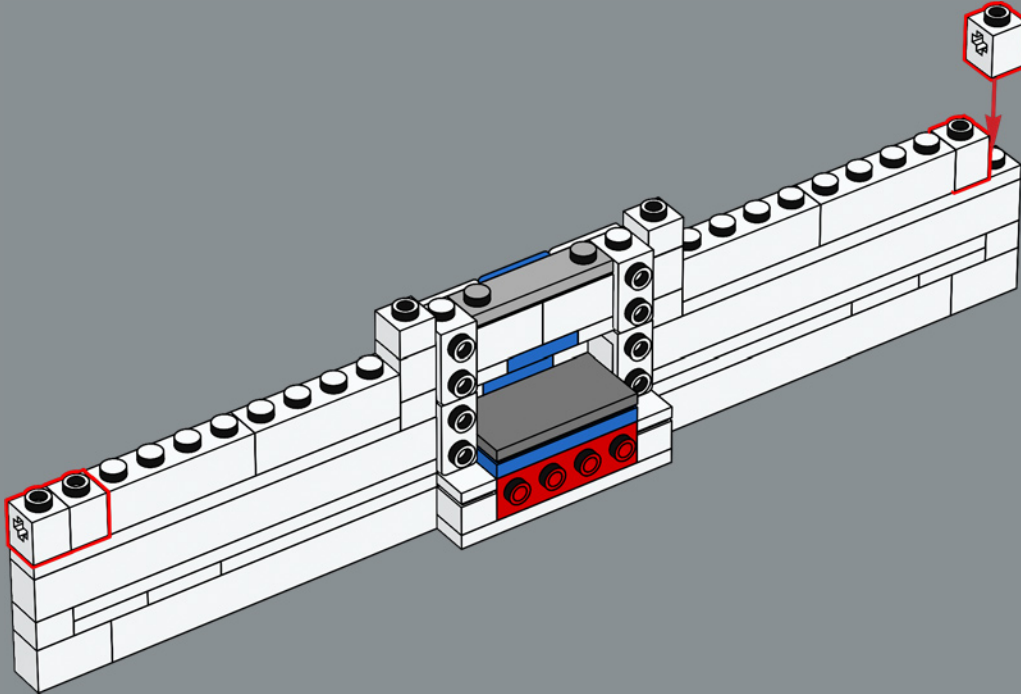


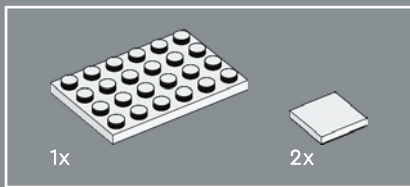


85

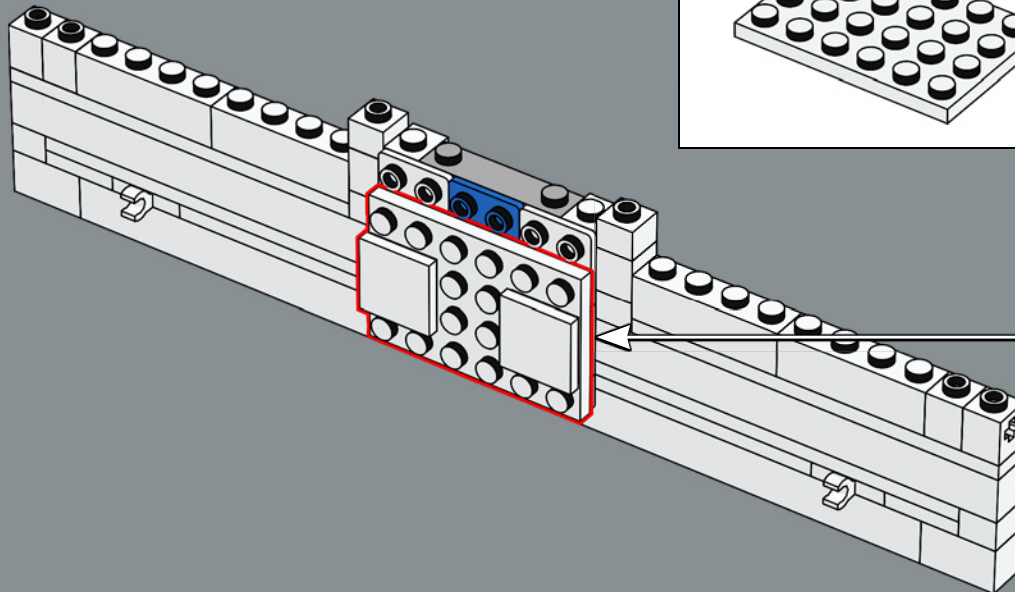


86

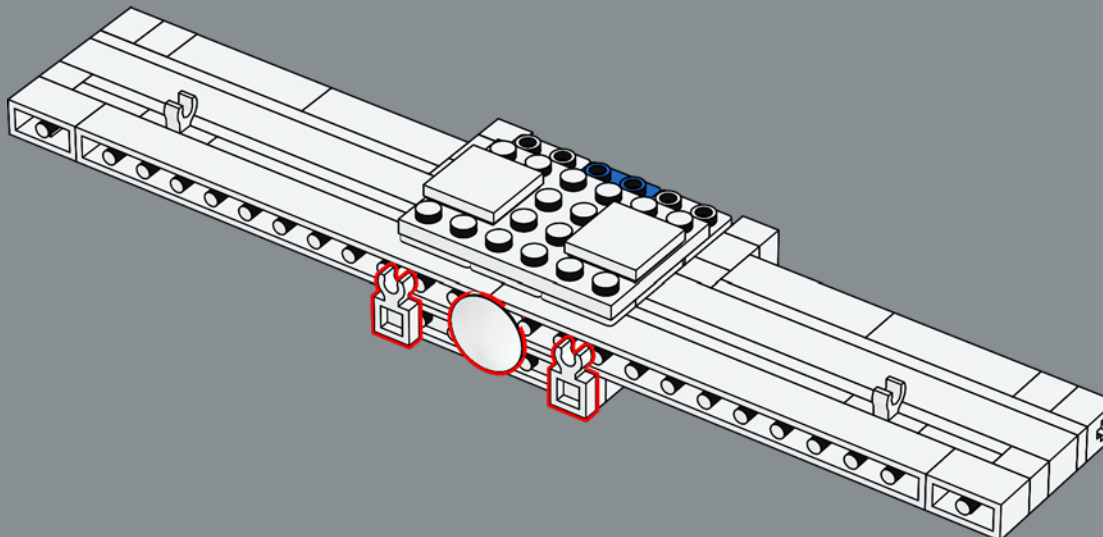




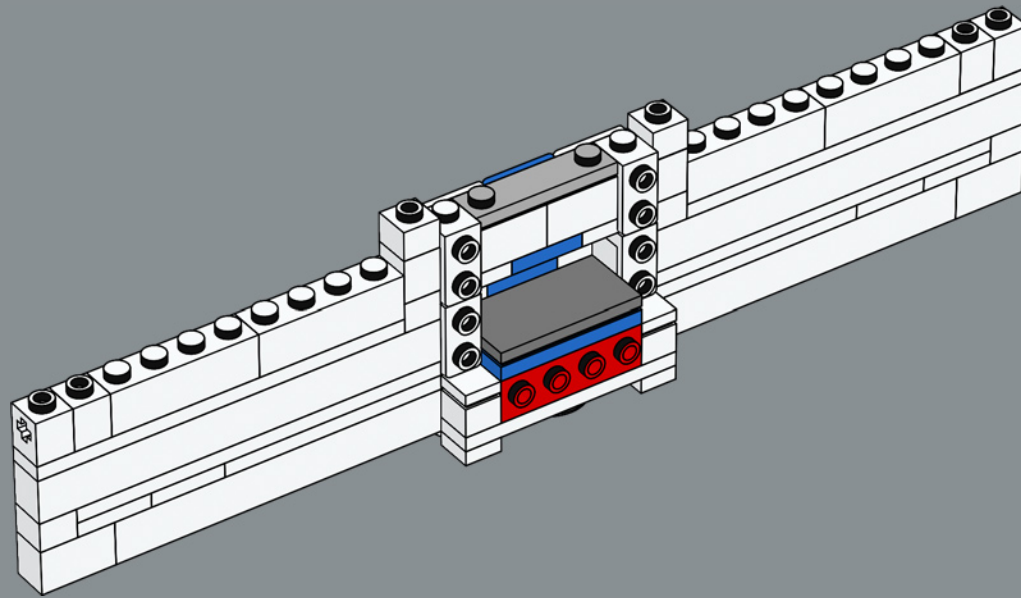
87



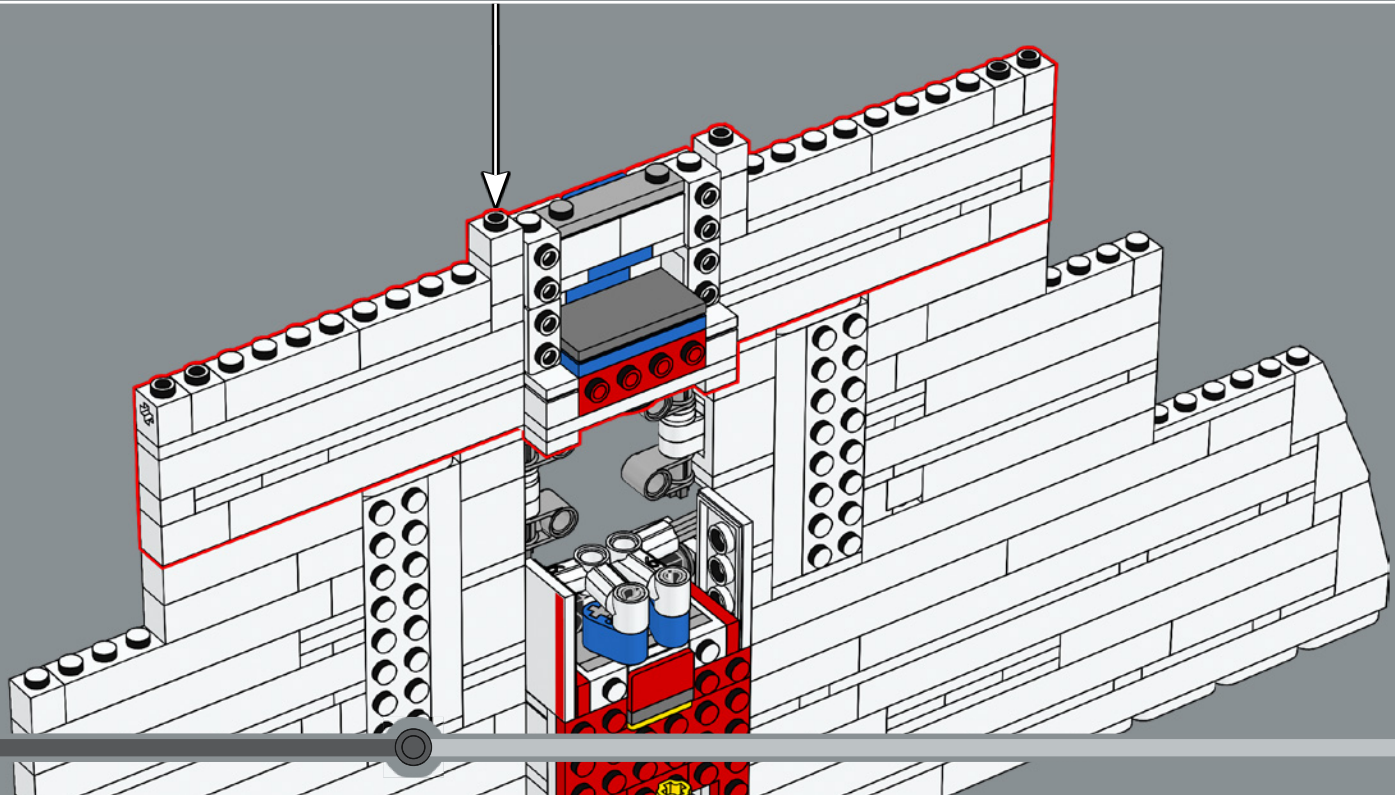
88



89



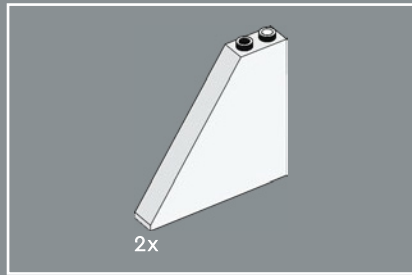
90



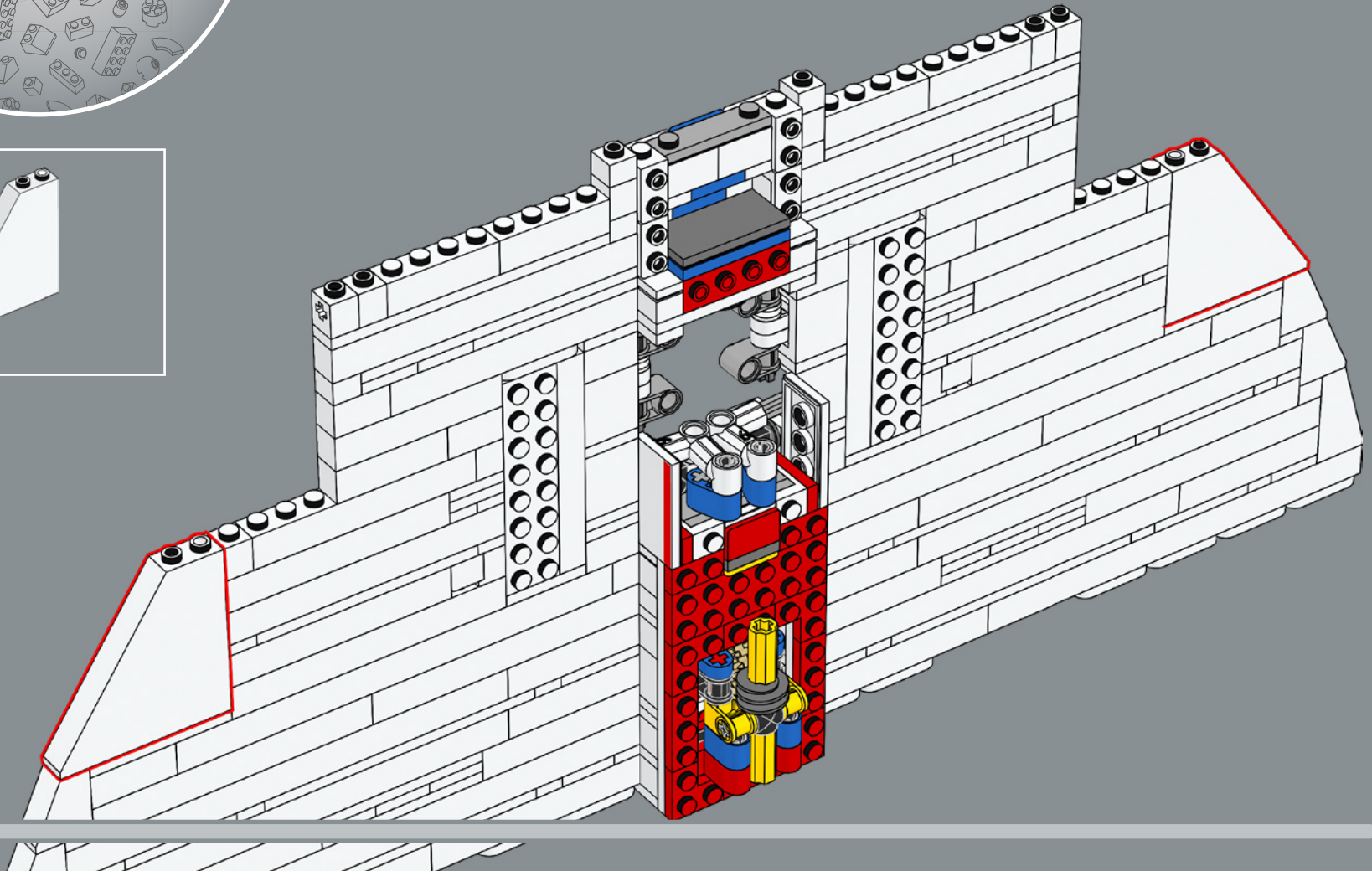




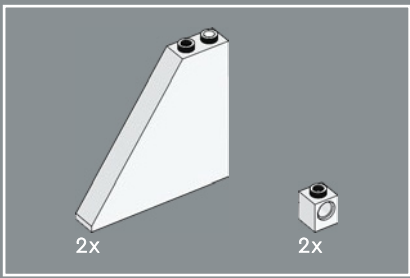
The classic Concorde silhouette comes from a very real technical problem, the balance between minimising drag and generating lift on a supersonic wing. The solution: Concorde's ogival delta wing, a modification of the delta wing design to increase efficiency at lower speeds.



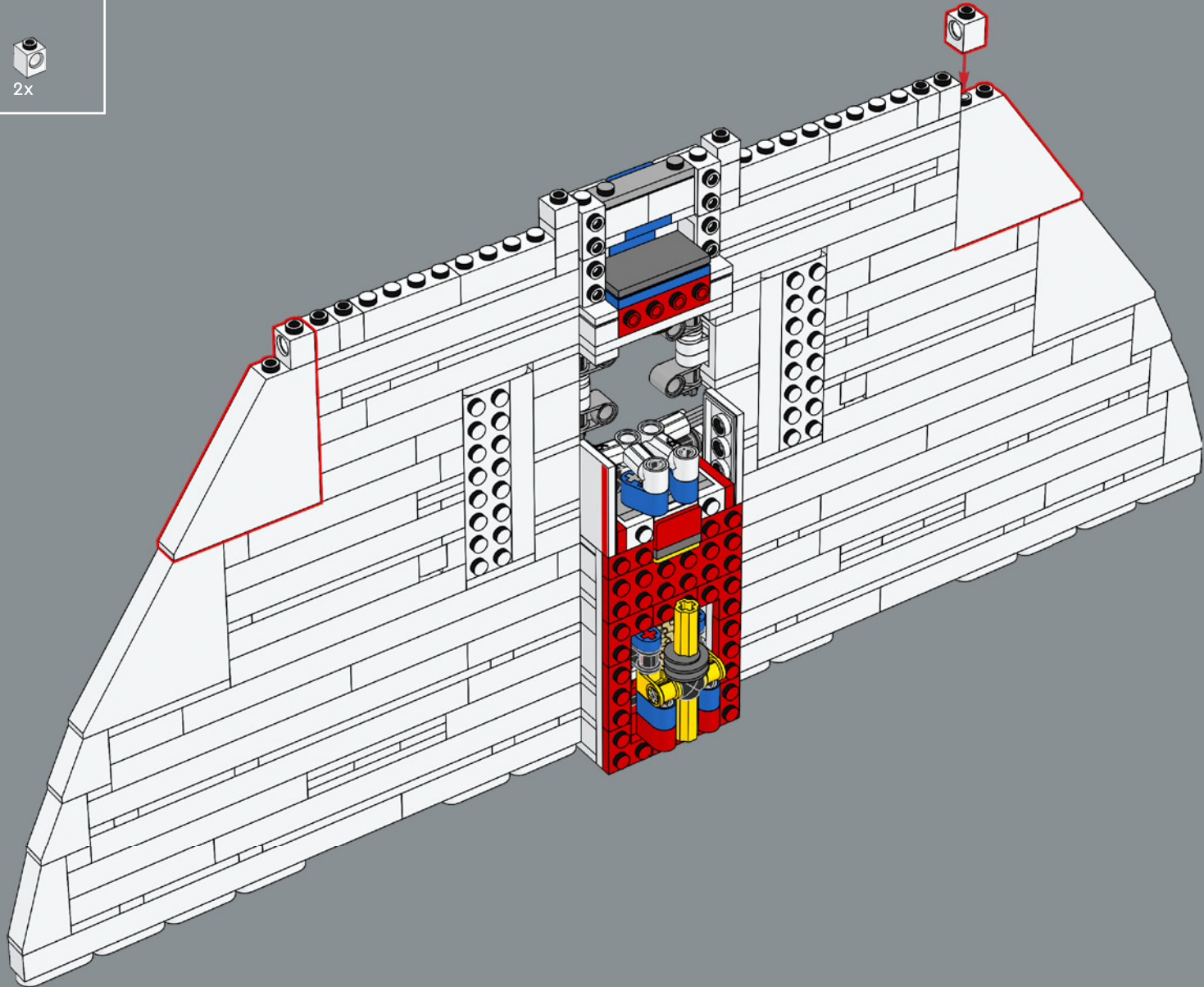
91

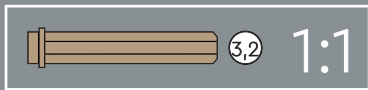
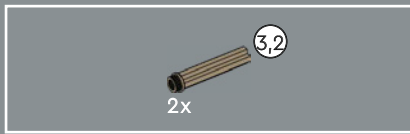




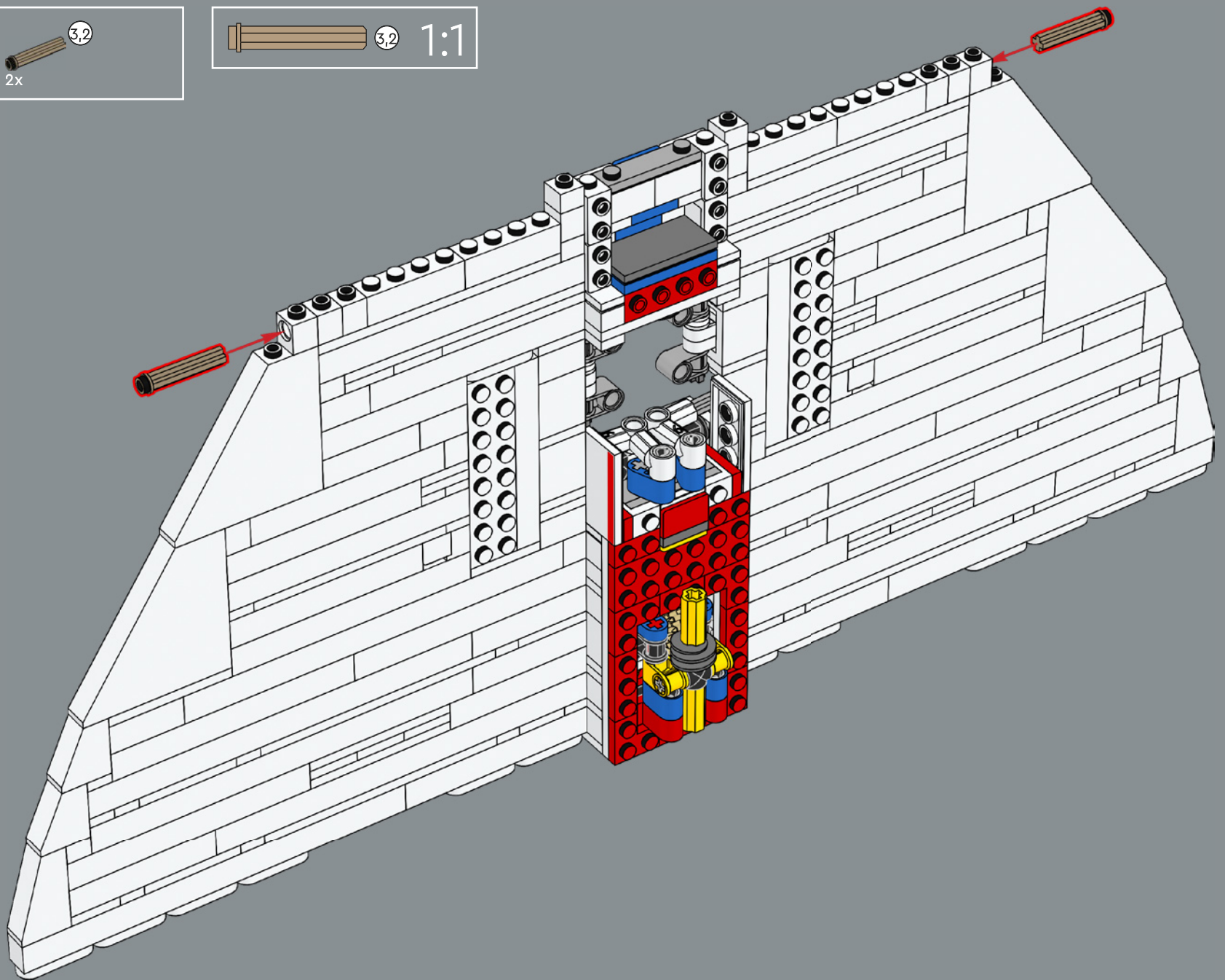


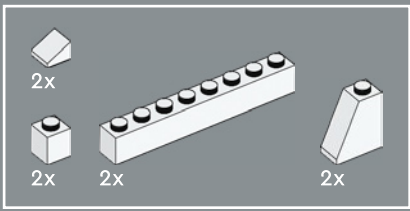
92



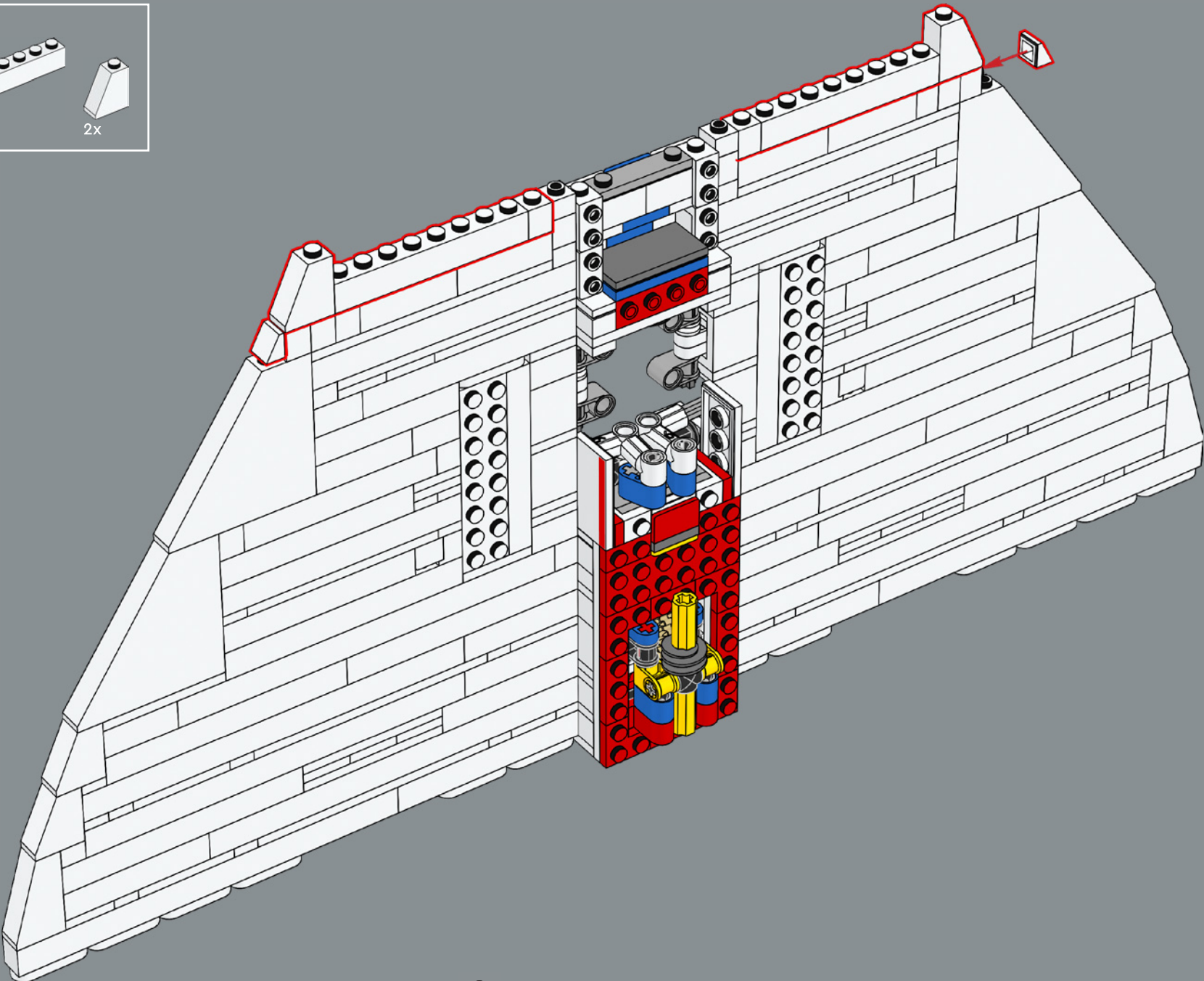


93

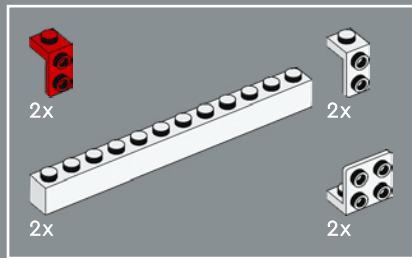




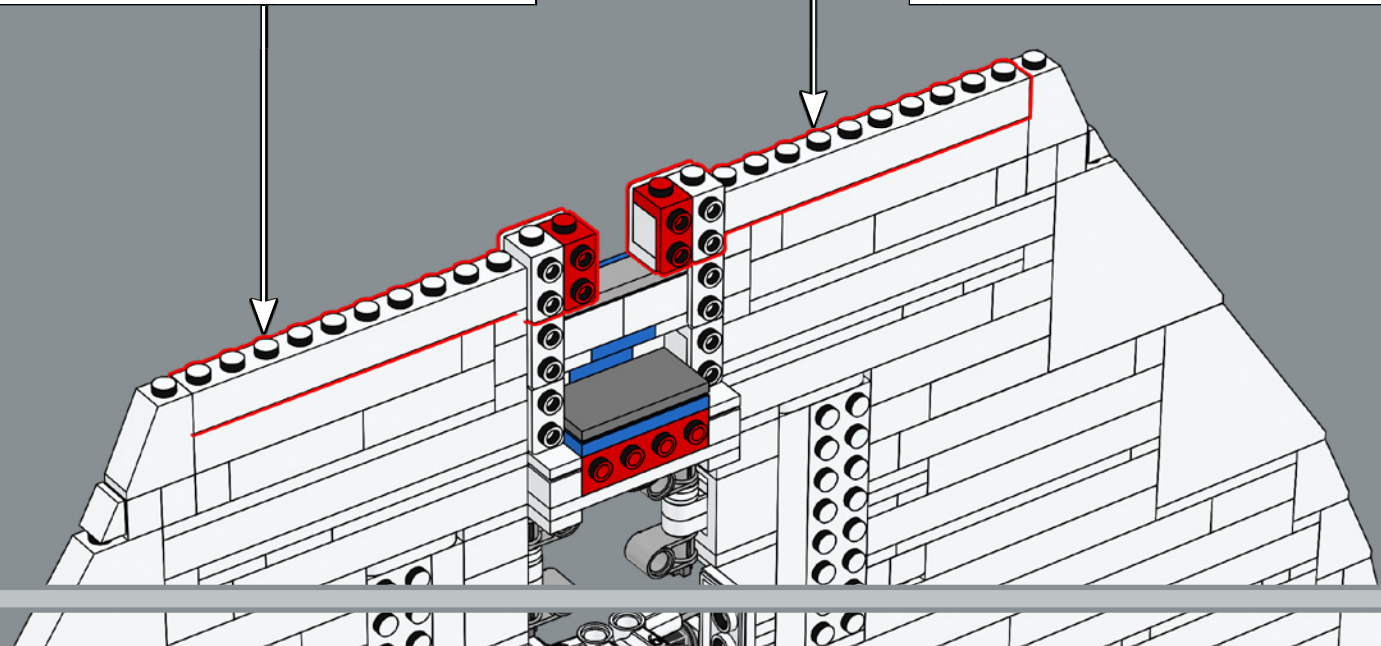
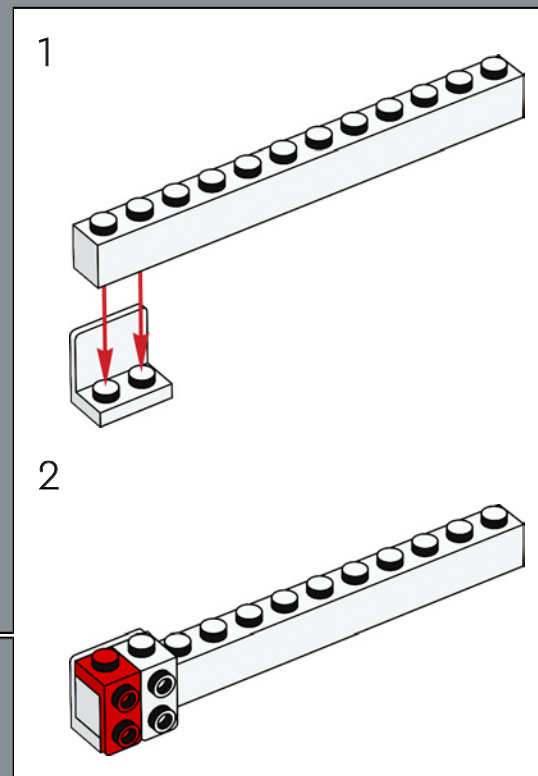
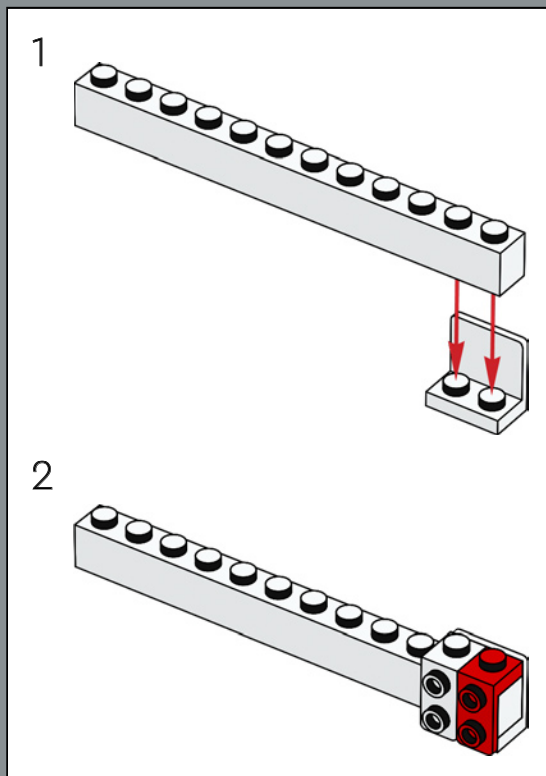
94



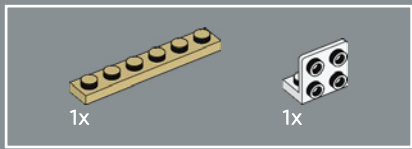




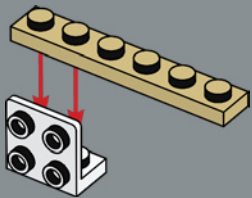
95



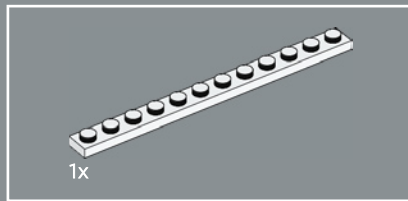
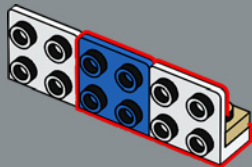




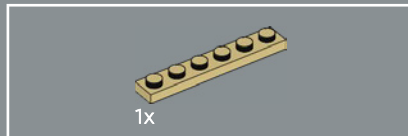
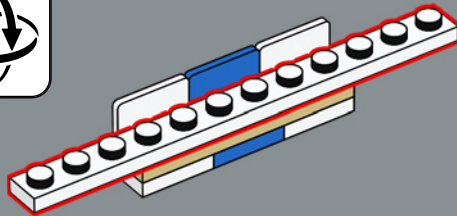
96



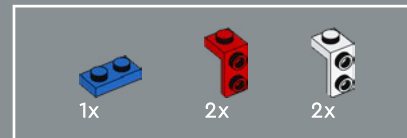
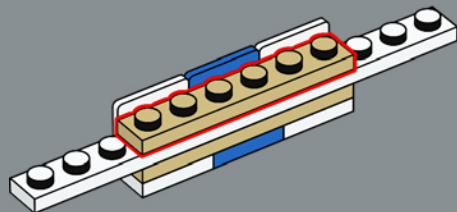
97



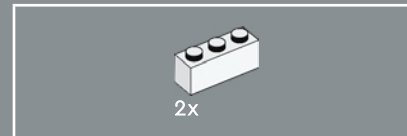
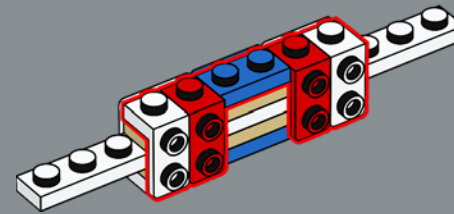
98



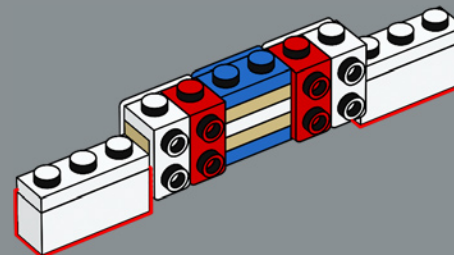
99

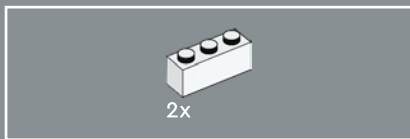


100

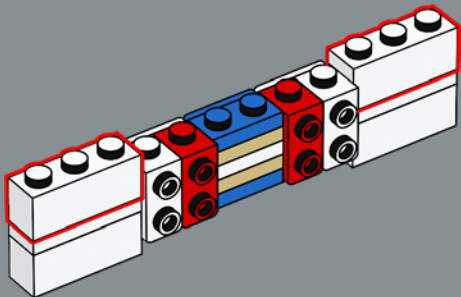


101

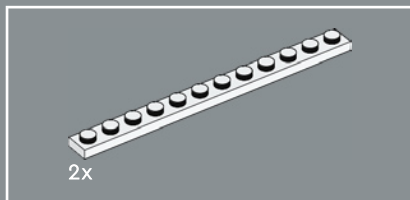
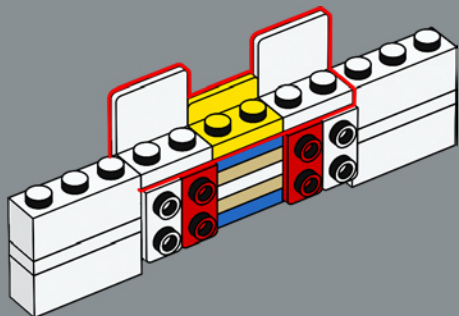




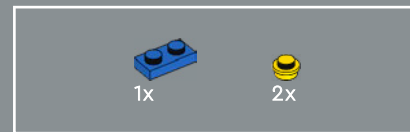
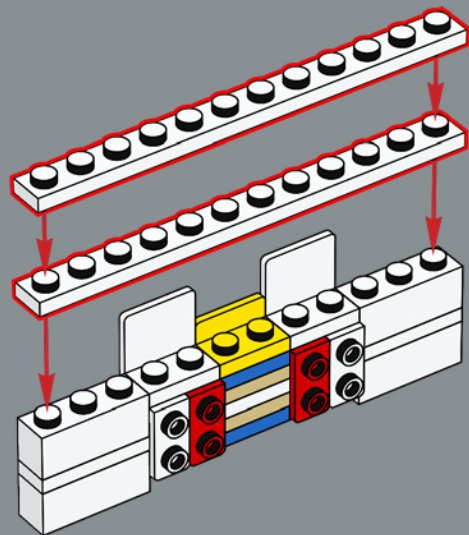
102



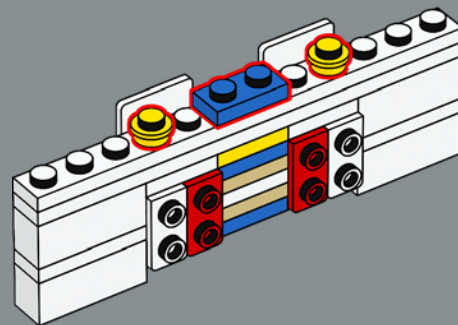
103



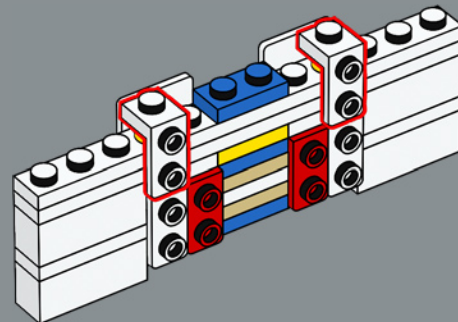
104



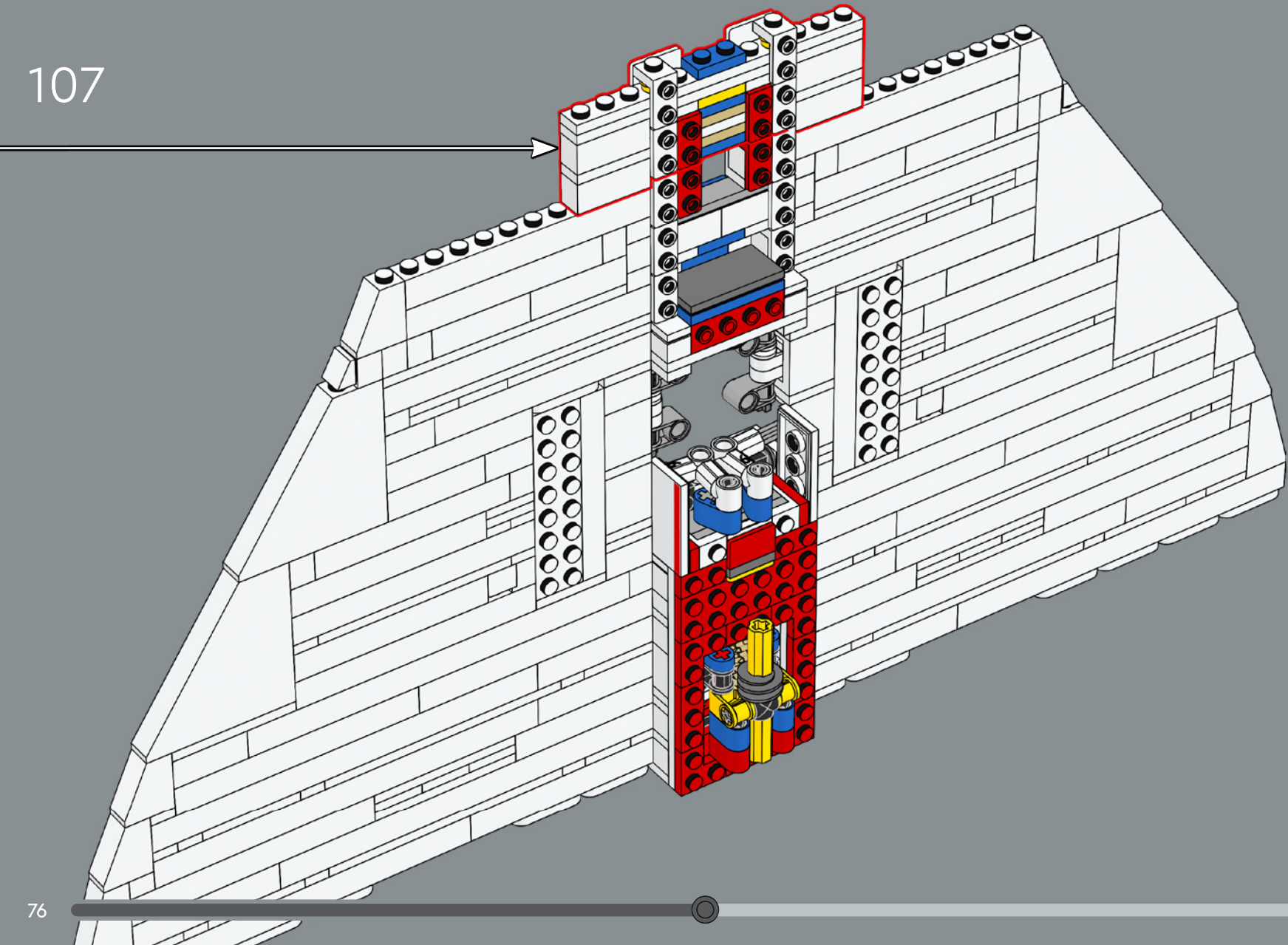
105



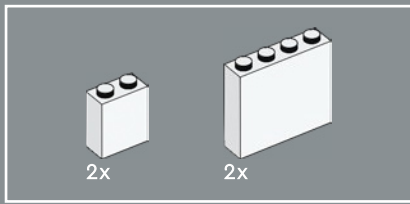
106



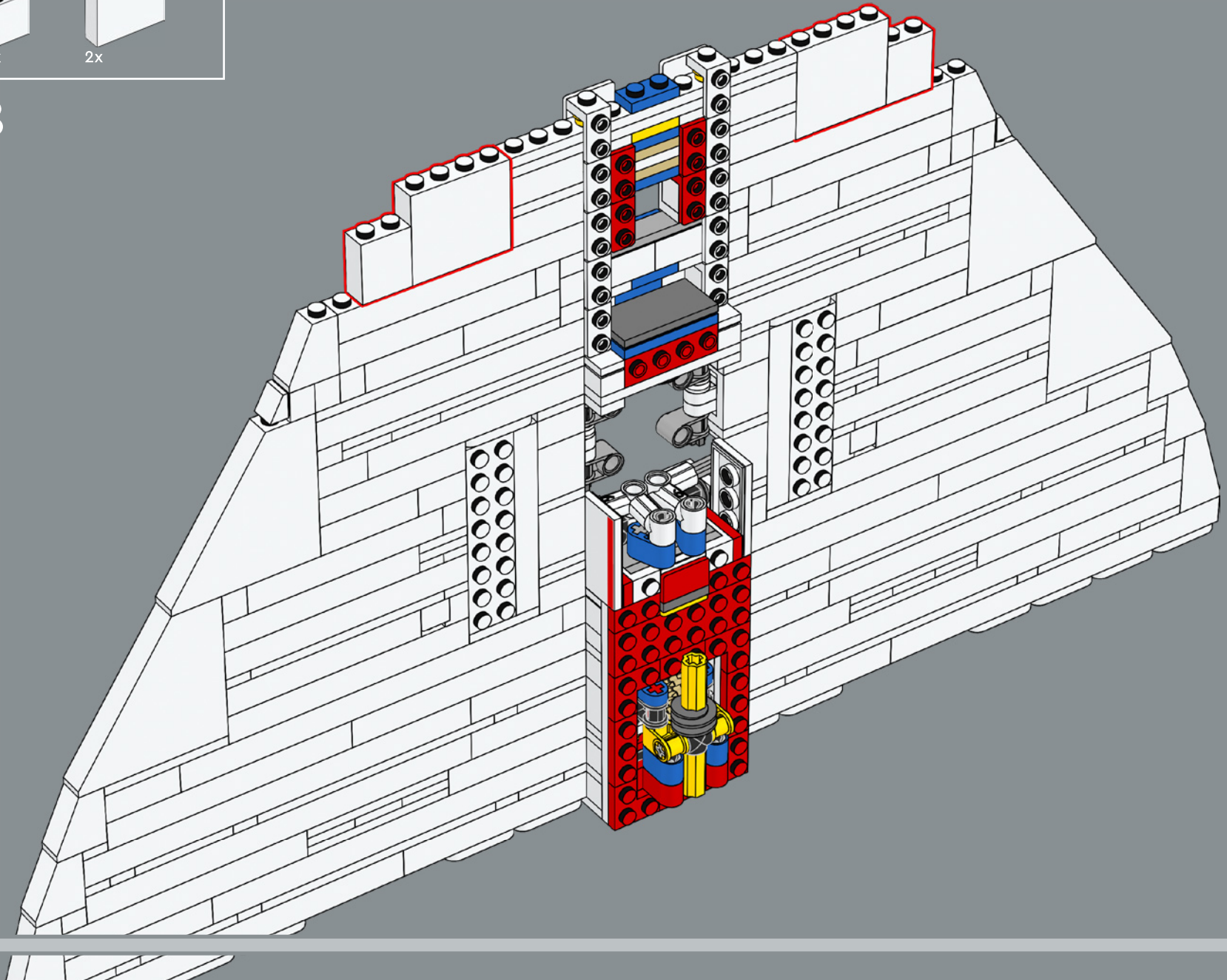
107



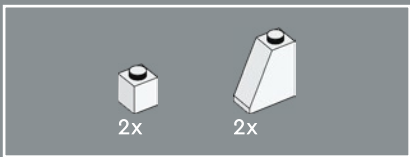




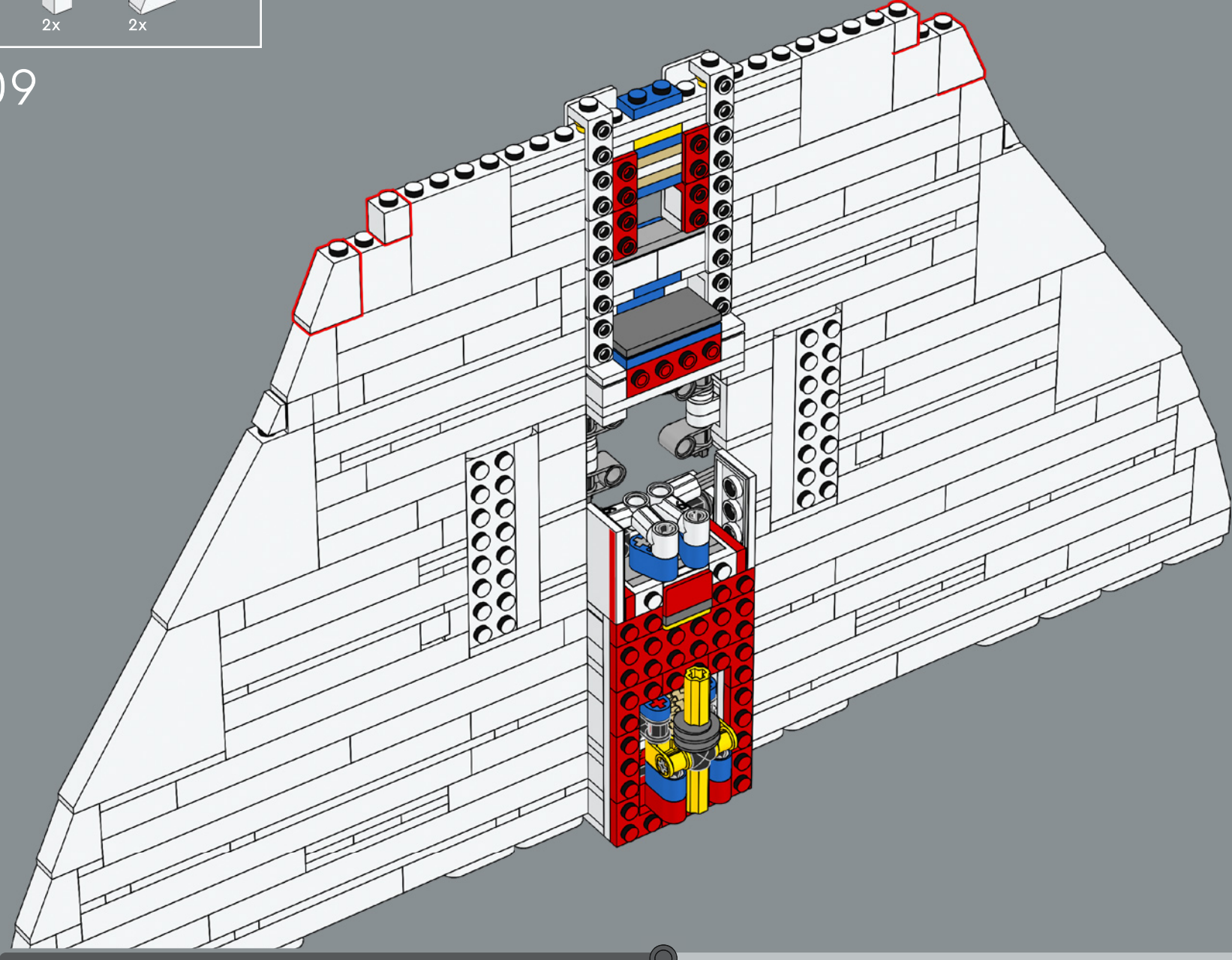
108

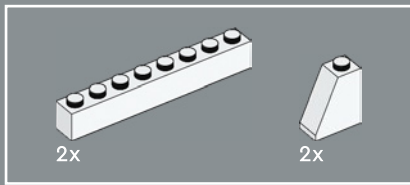




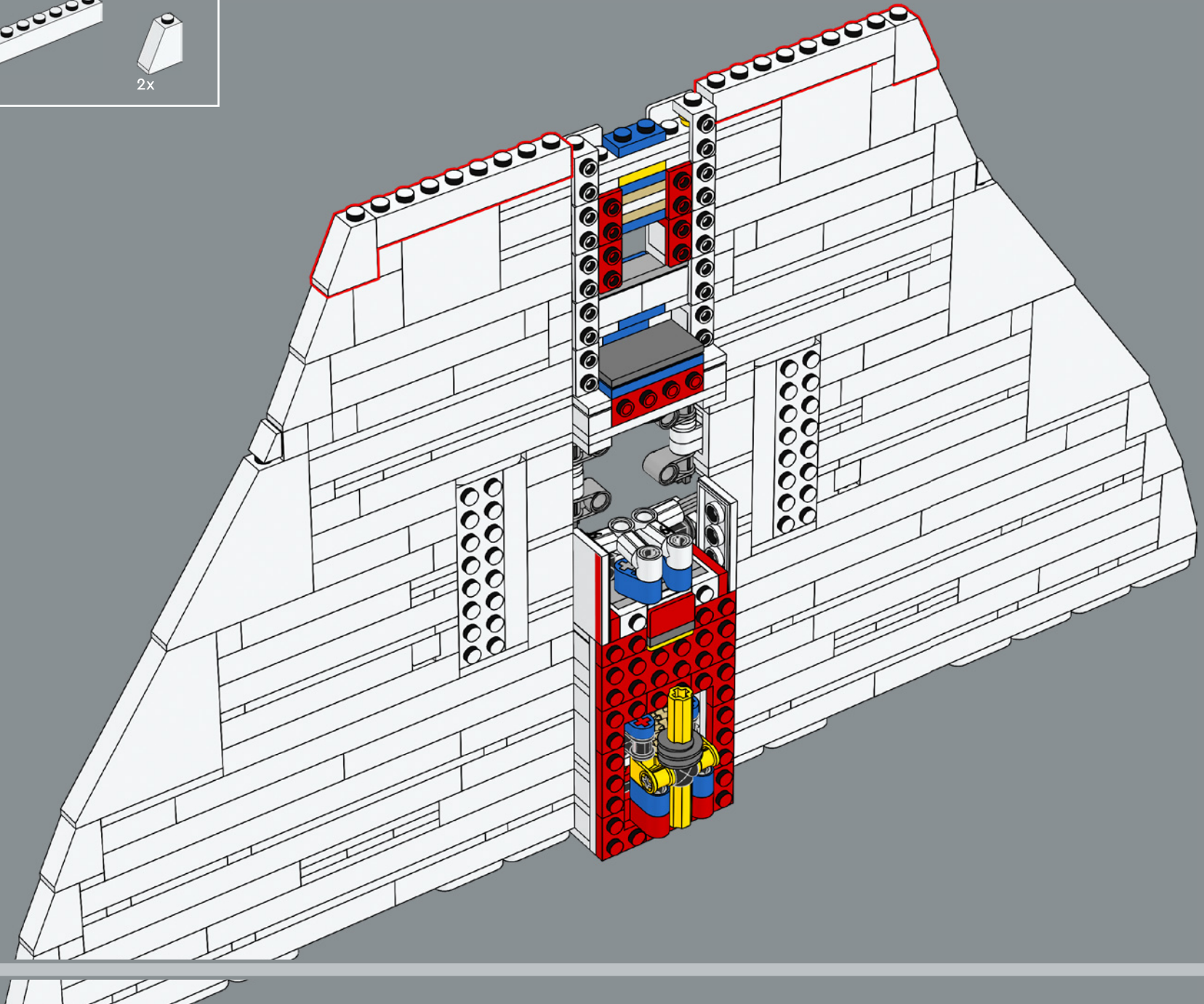


109

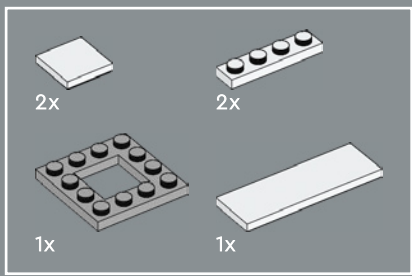




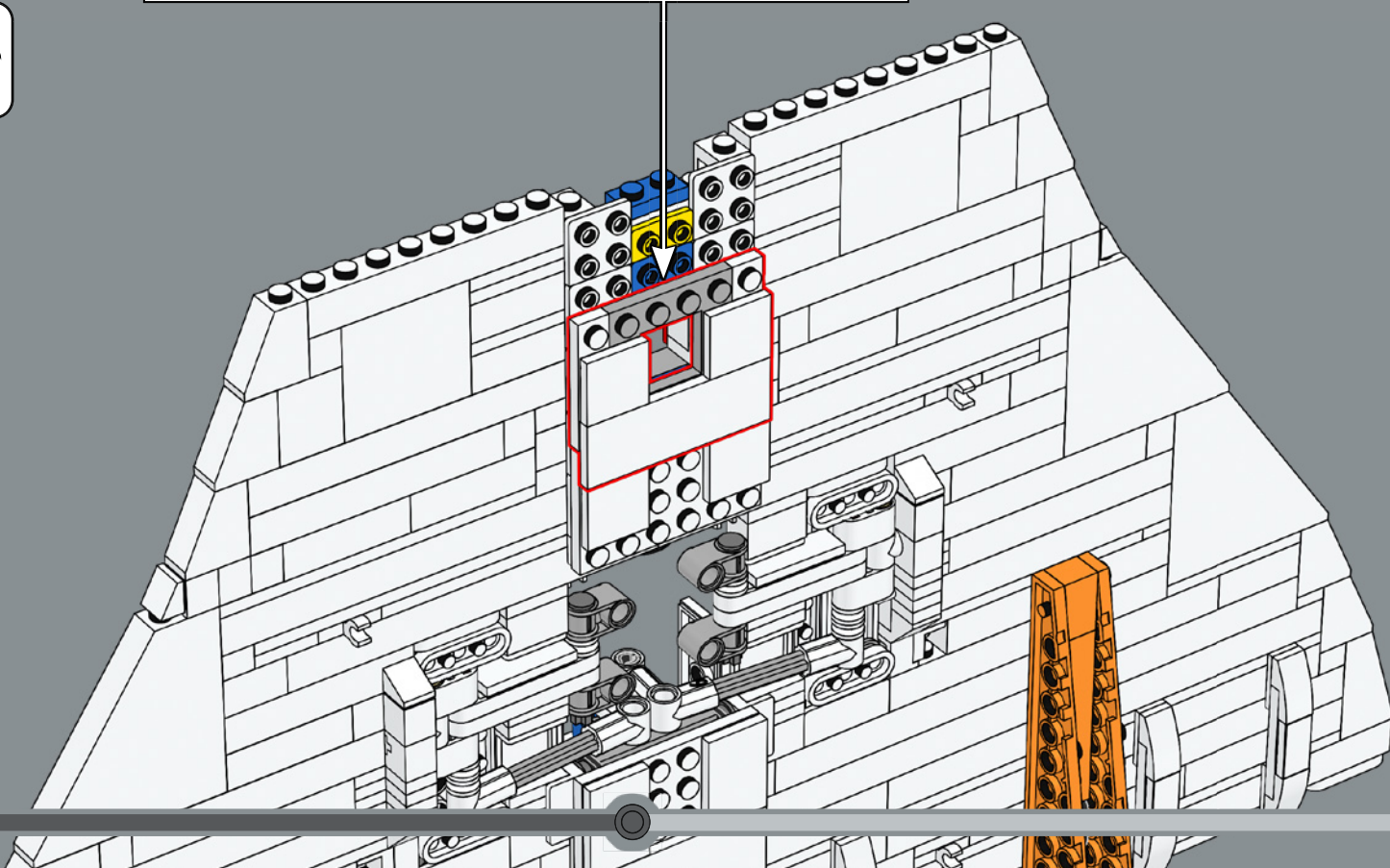
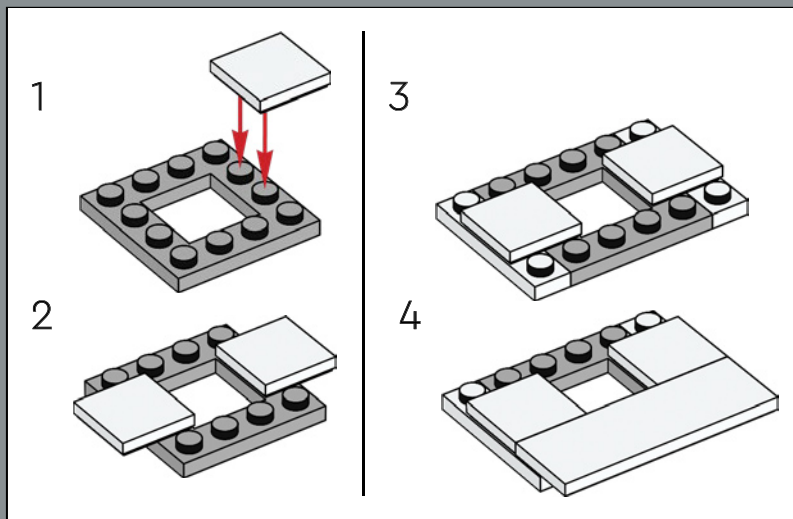
110





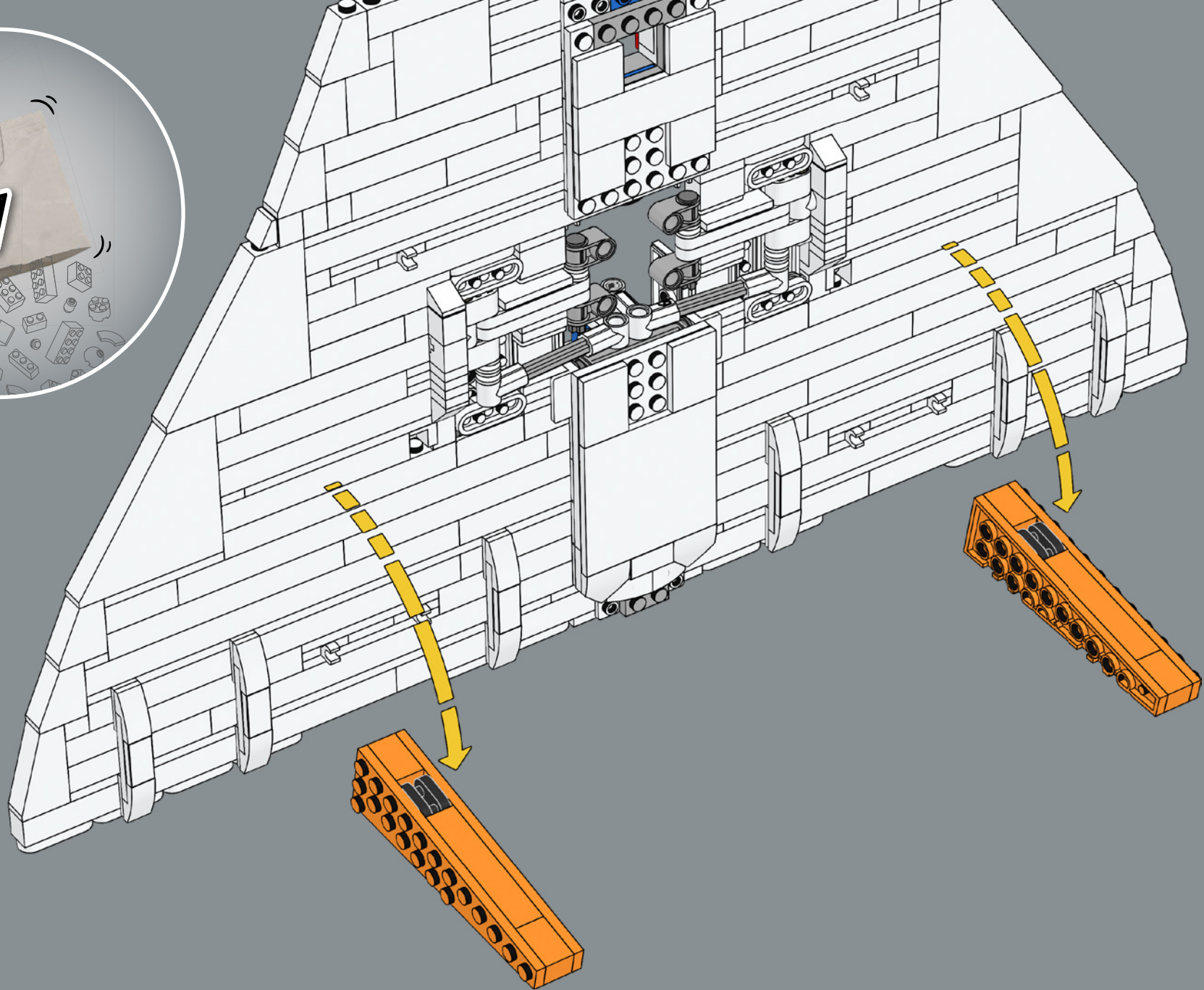


111

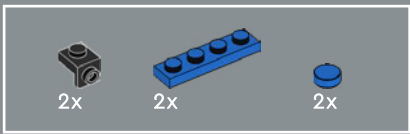




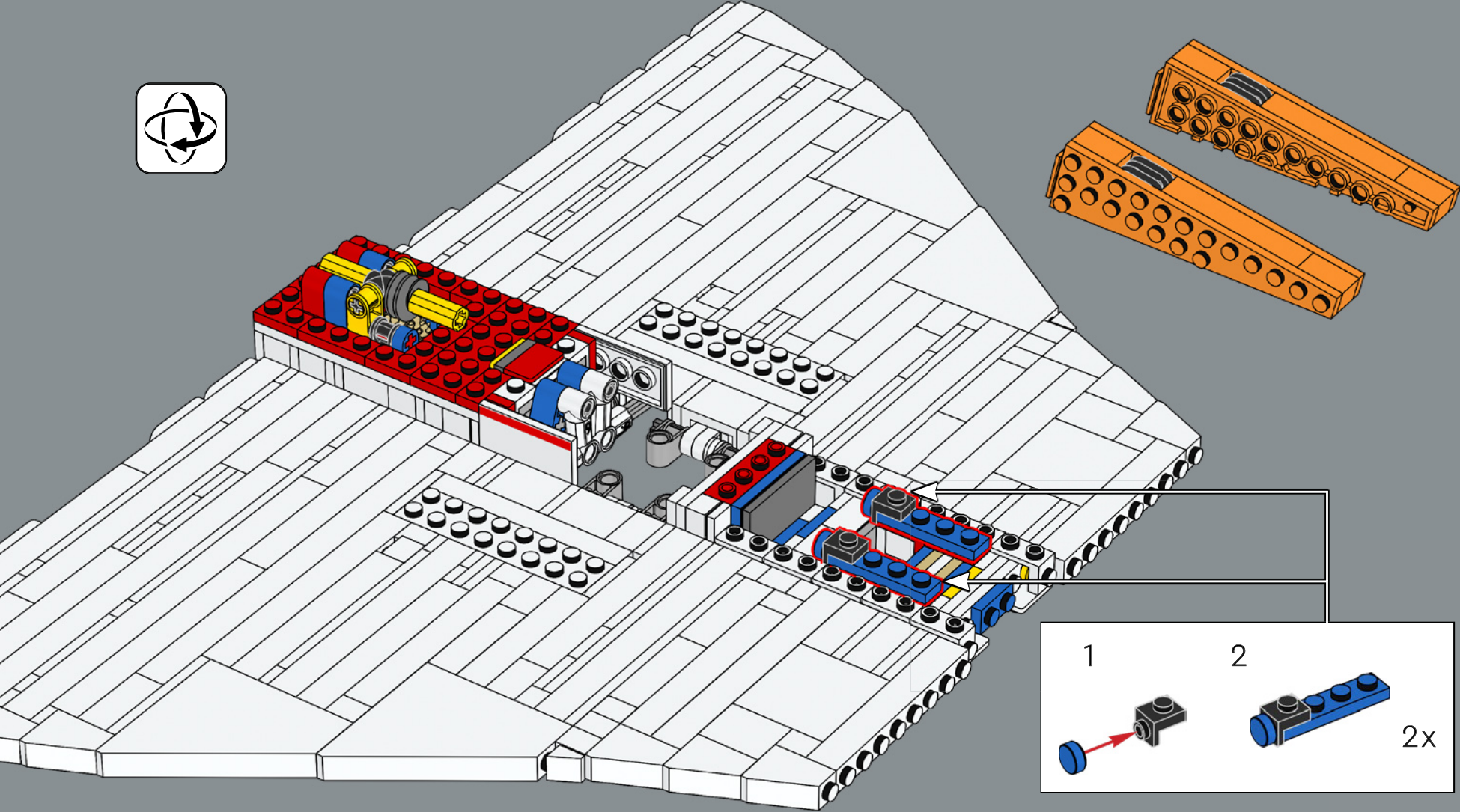
112

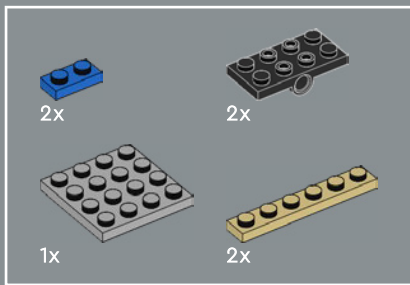




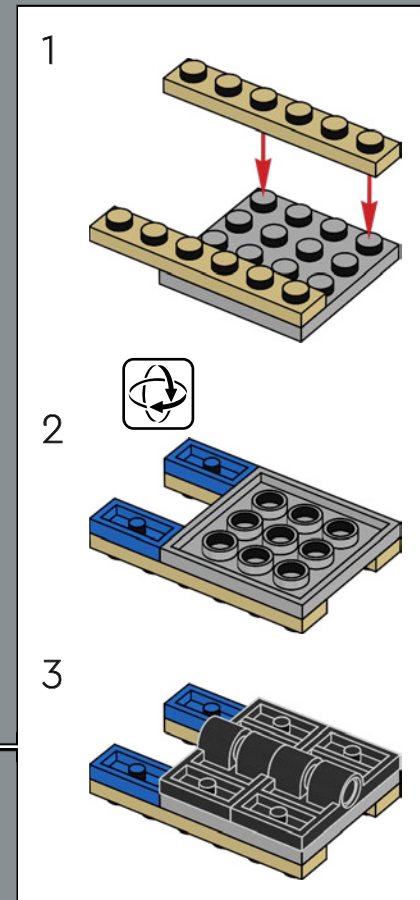
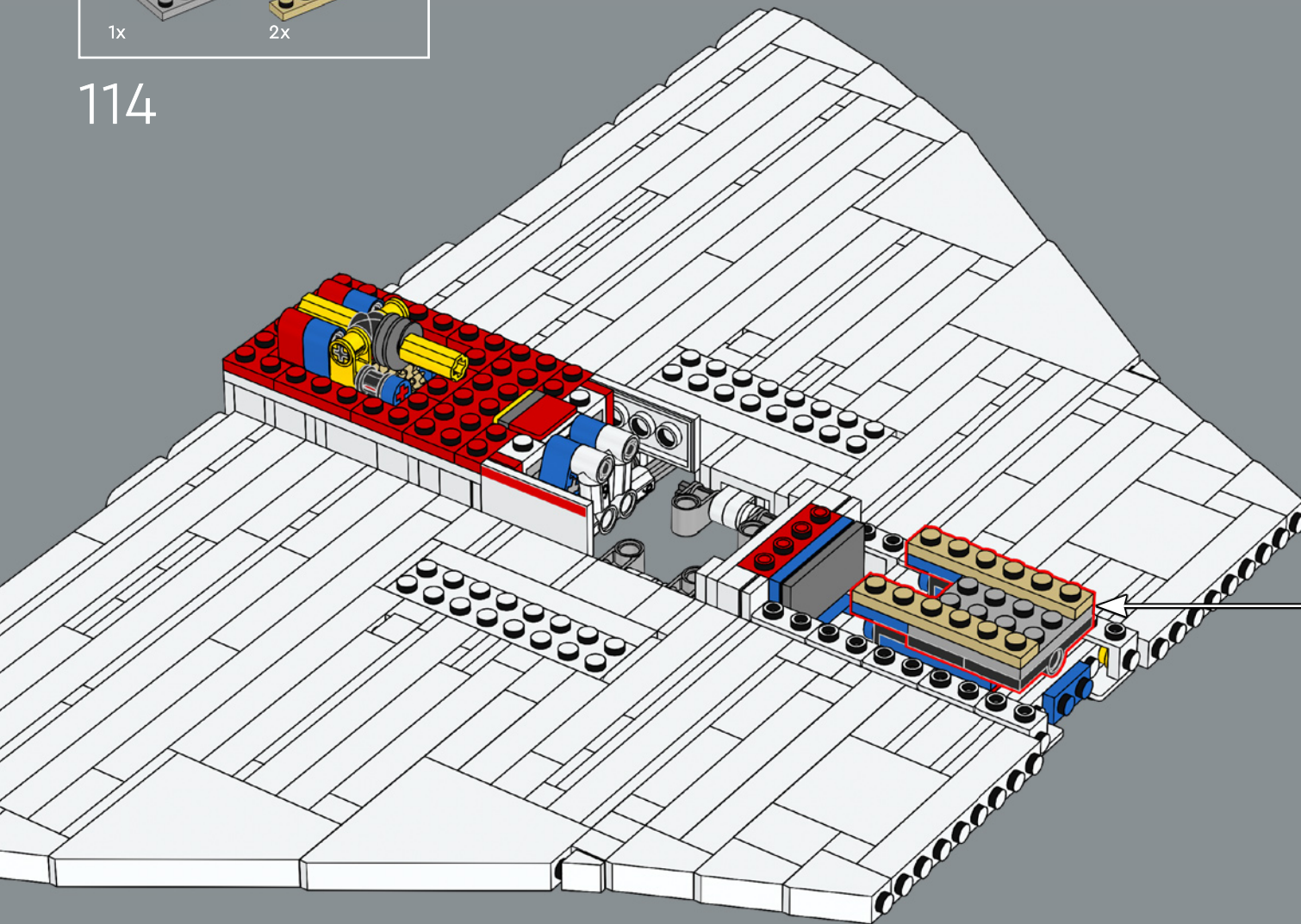


113

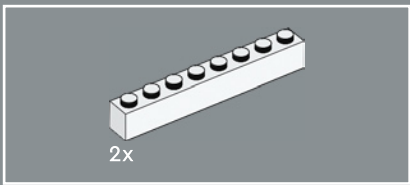




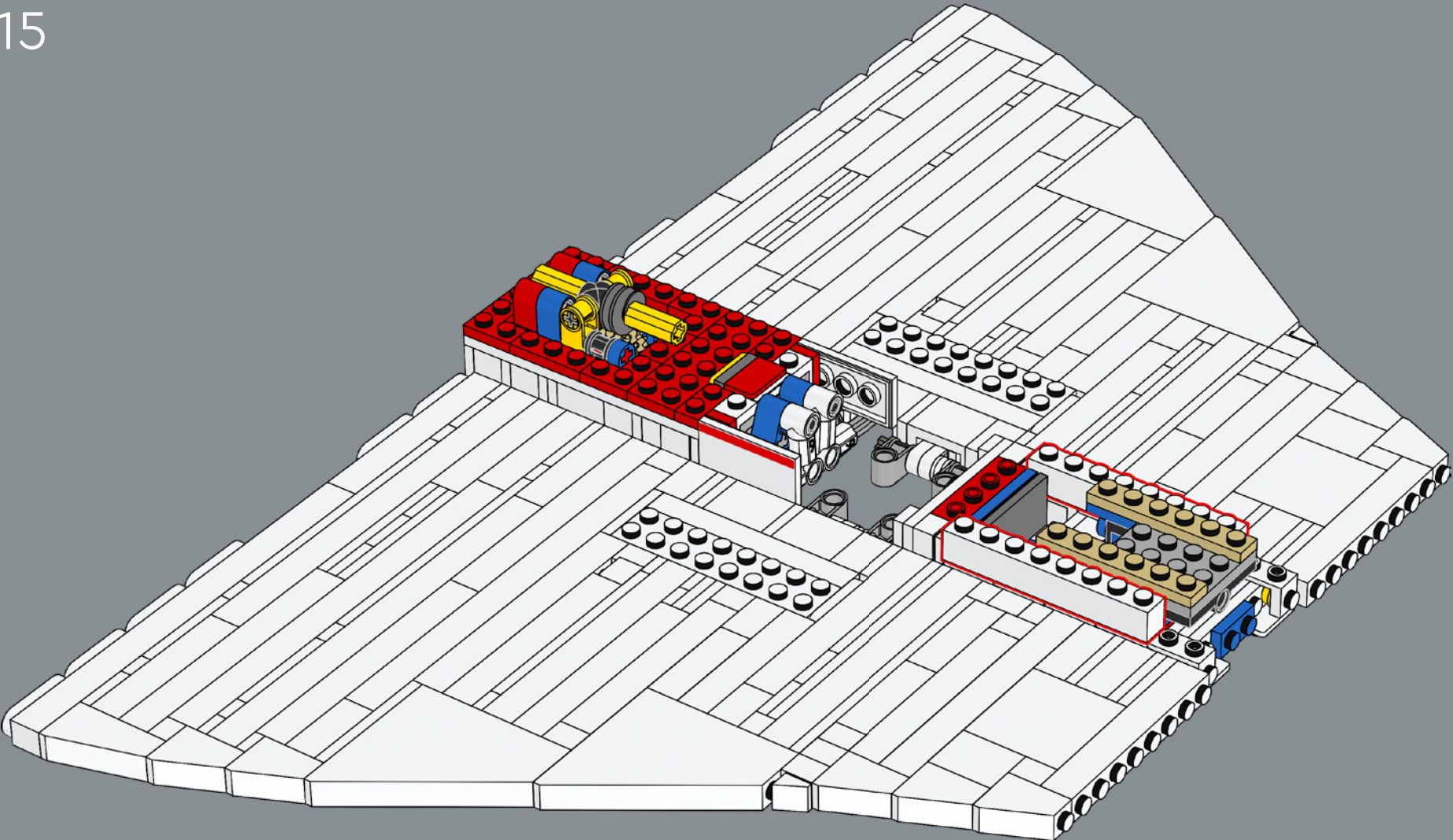
114





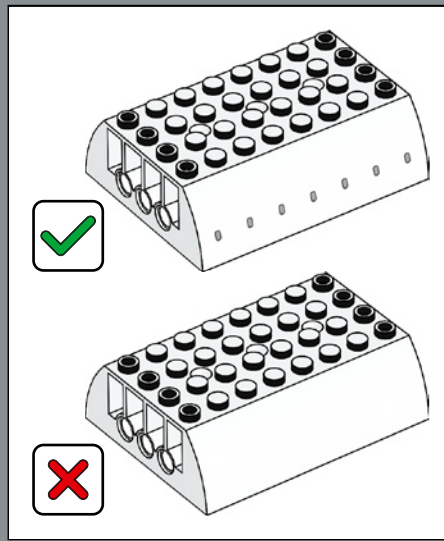
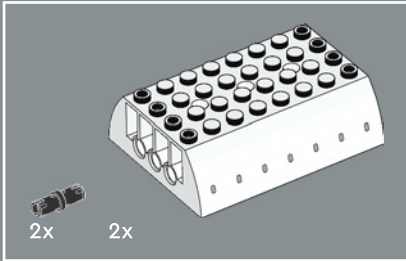
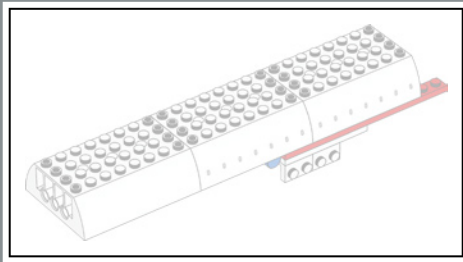


115

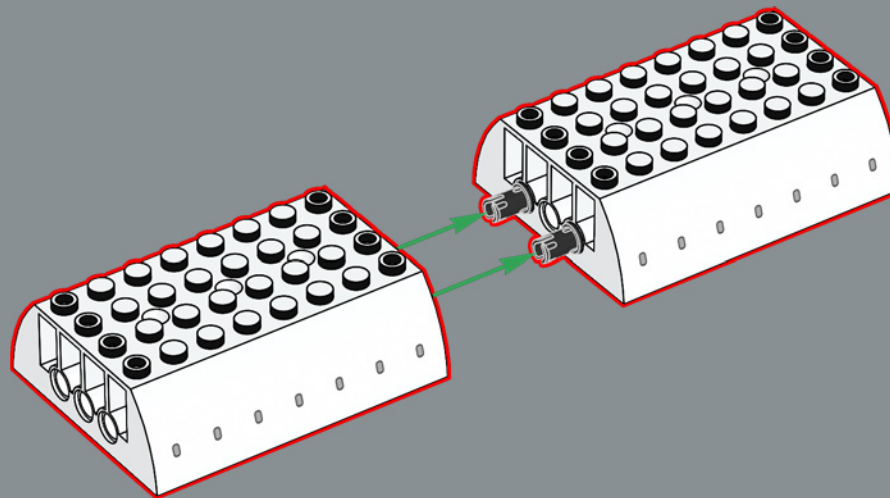




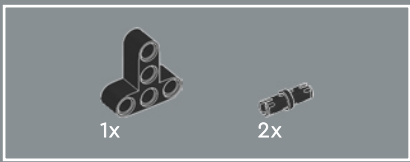
Despite the luxury experience passengers could expect on Concorde, the aircraft's windows were fairly small, about the same size as your hand.



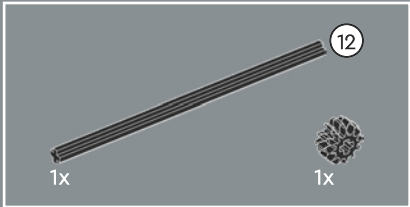
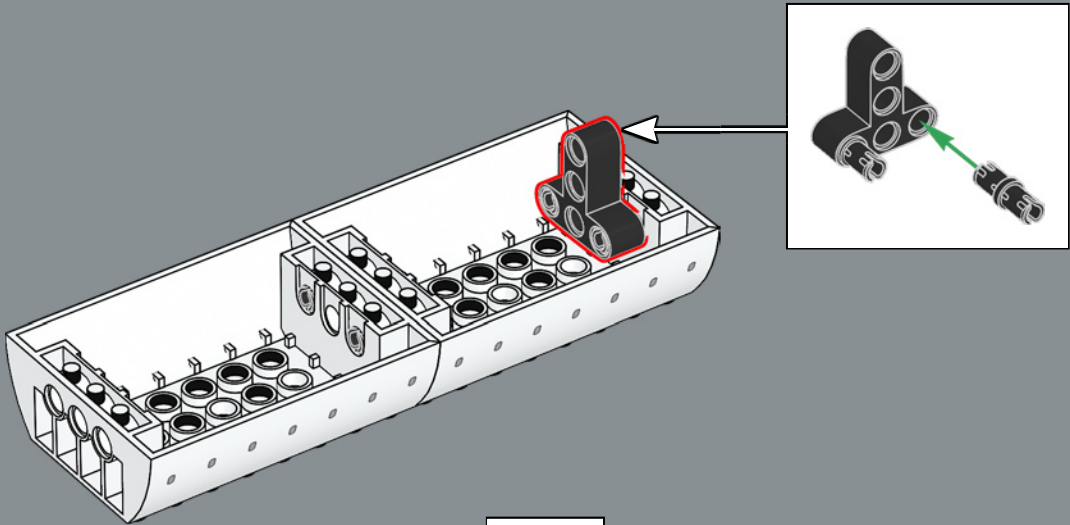
116



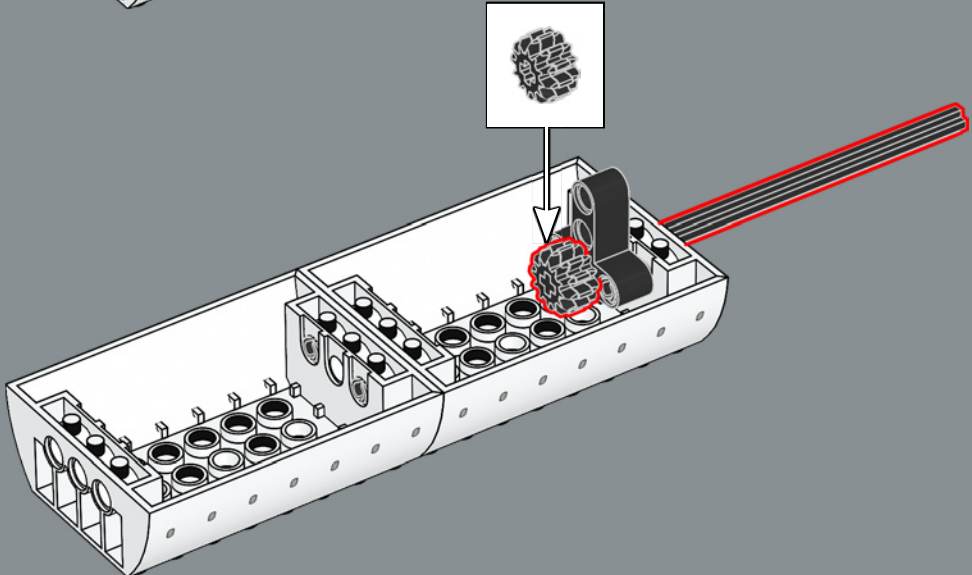


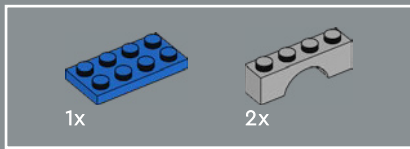


117

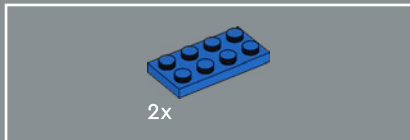
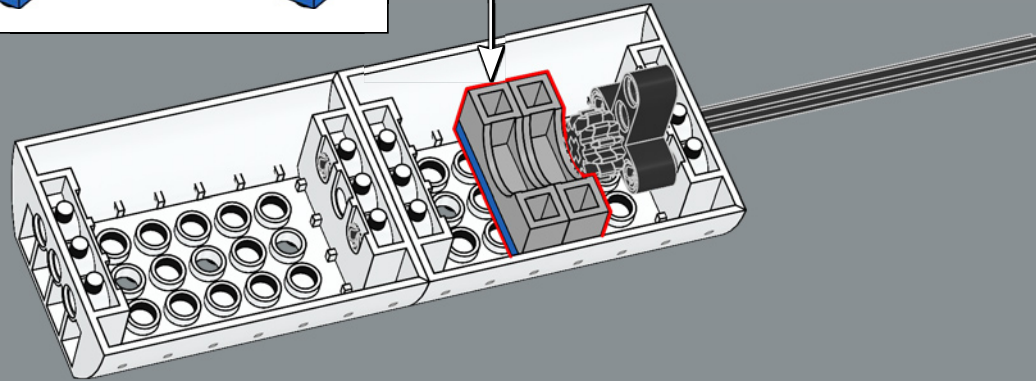
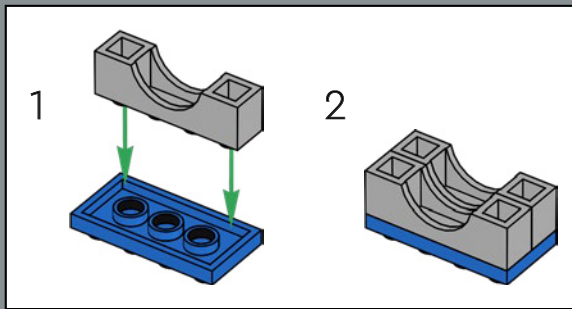


118

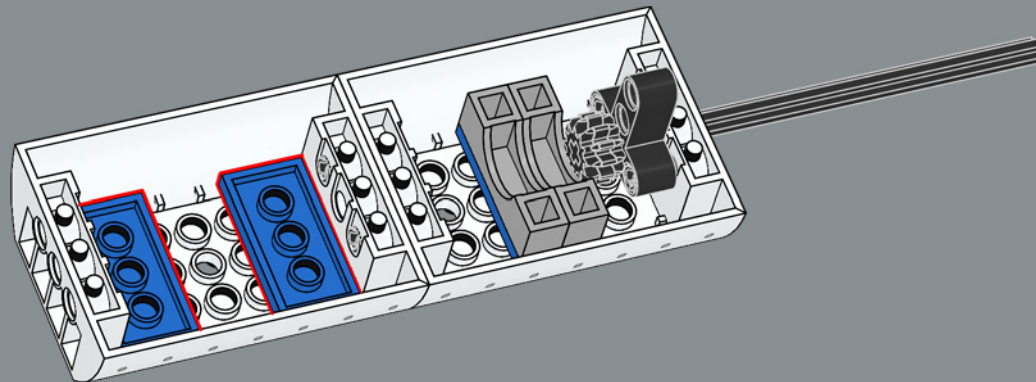


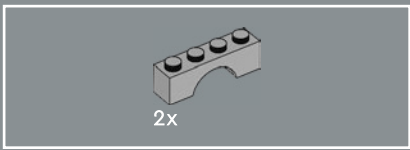


119

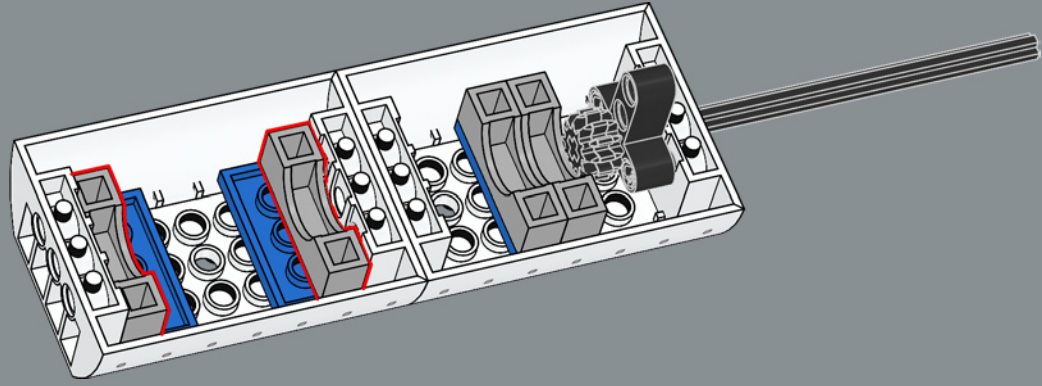


120

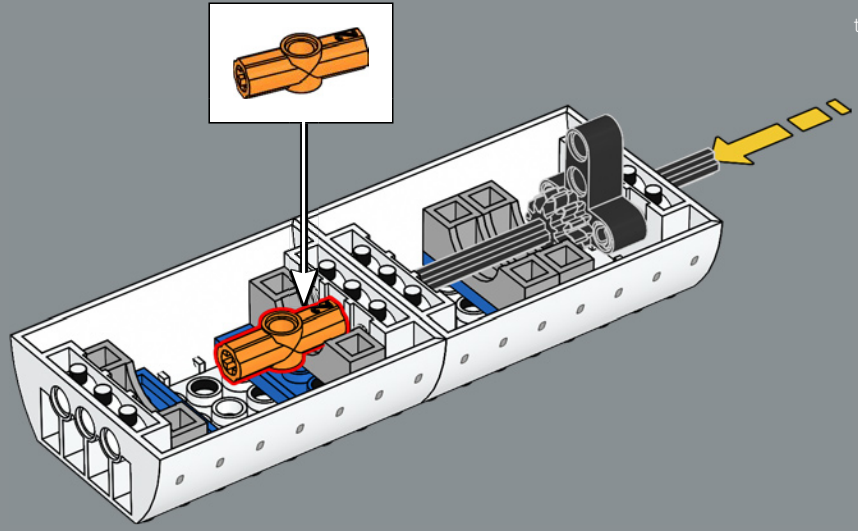




121

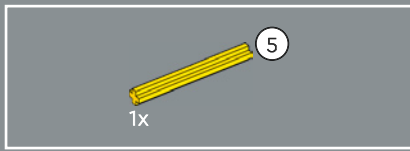


122

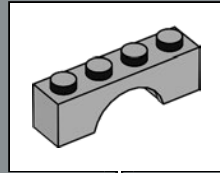
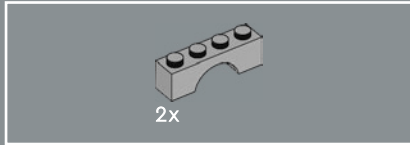
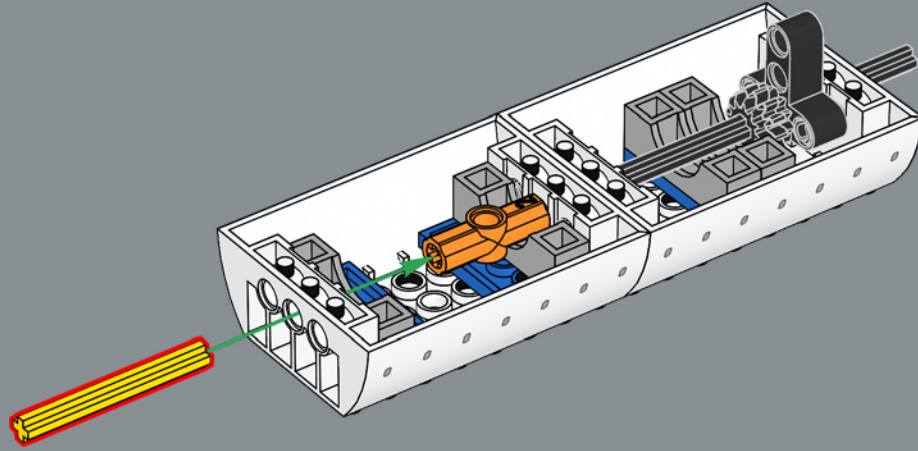


This little orange element not only connects the drive shaft of the main landing gear but can also be used to take apart your LEGO® model when you're ready to build something else!

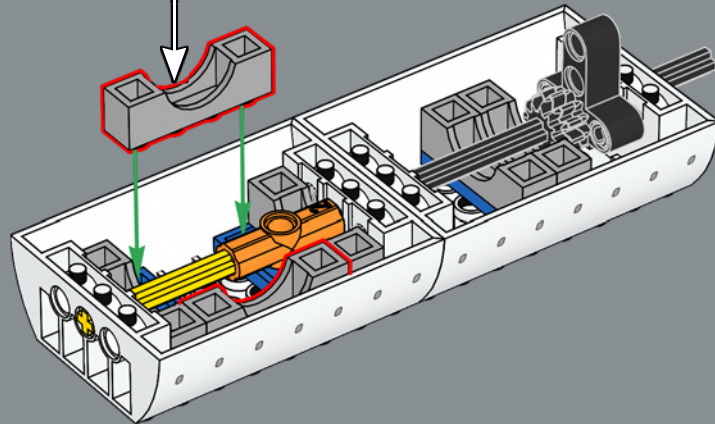




123



124

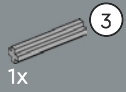
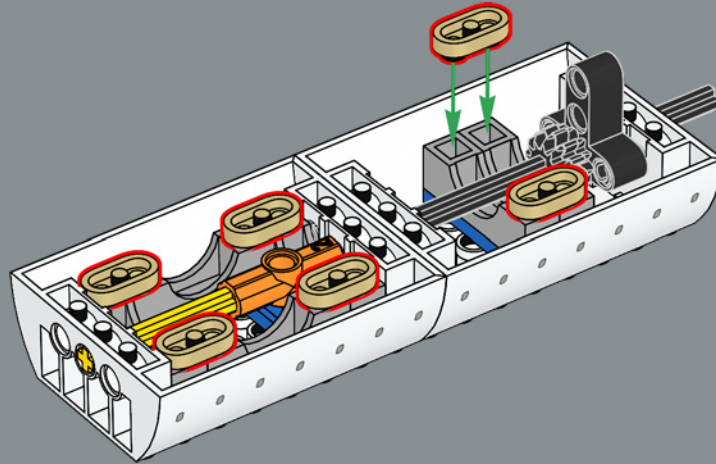






6x

125



1x

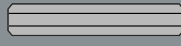
3



1x



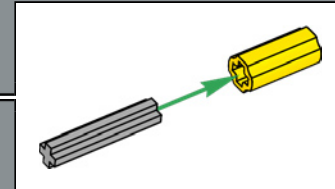
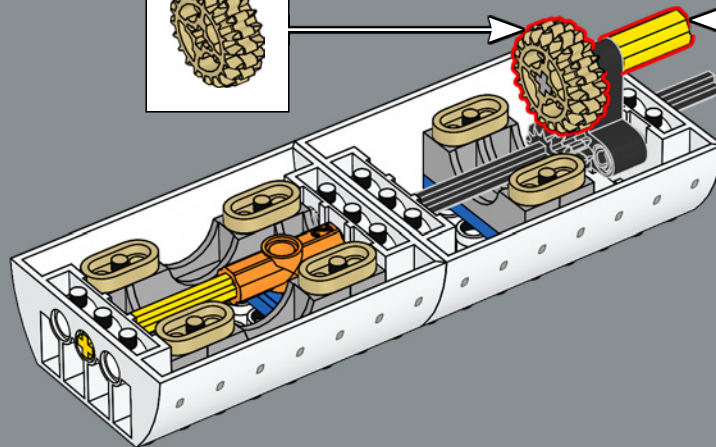
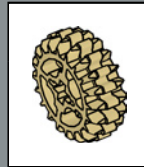
1x

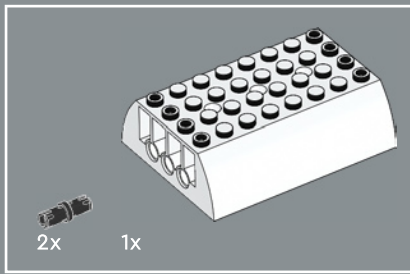


3

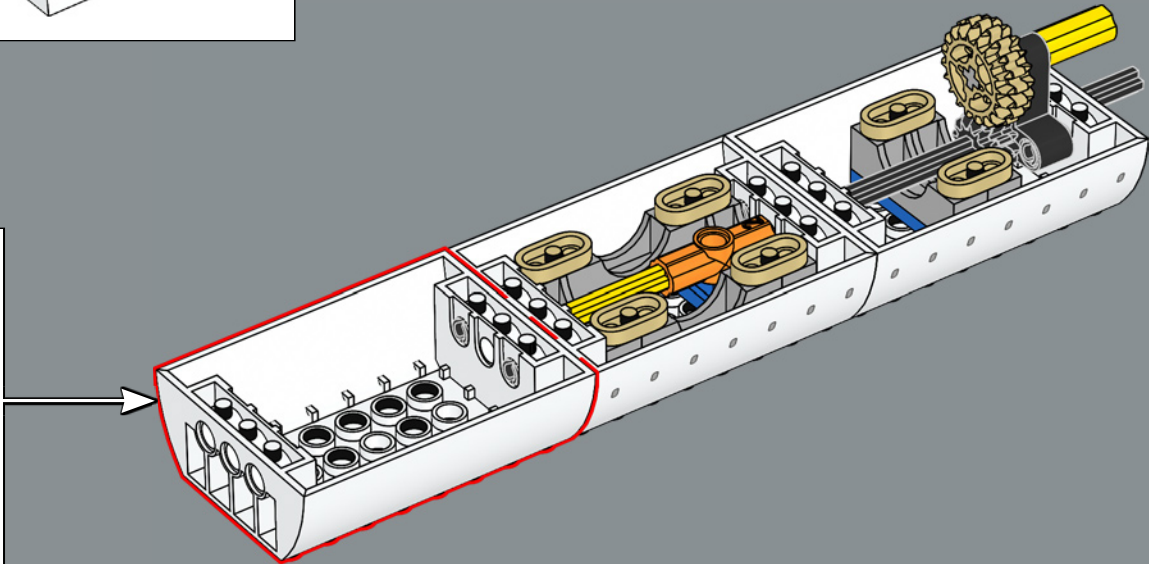
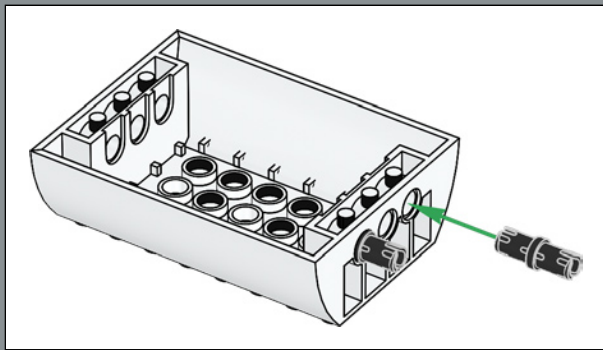
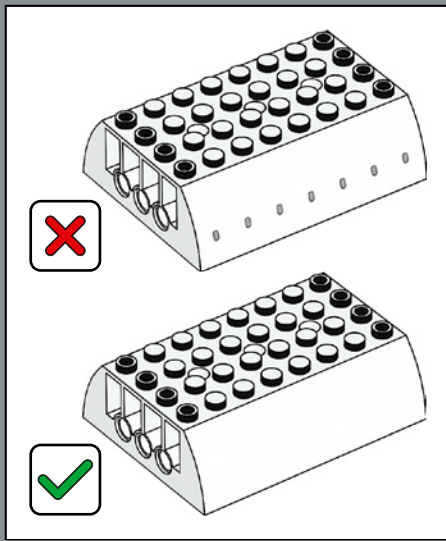
1:1

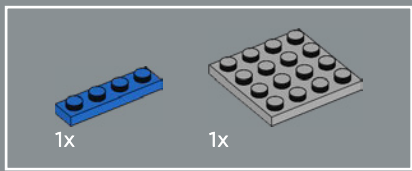
126



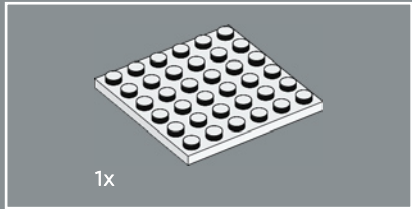
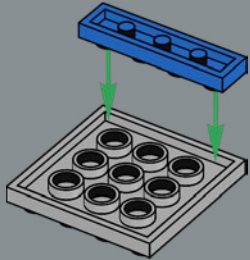


127

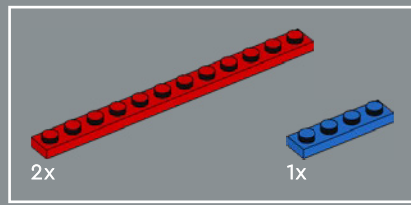
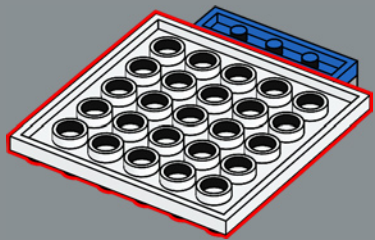




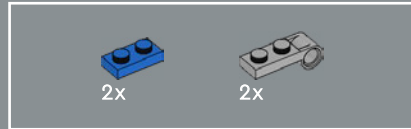
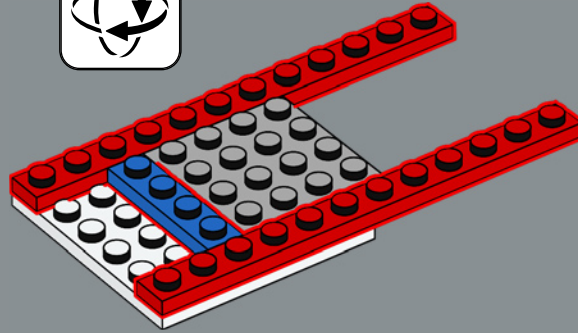
128



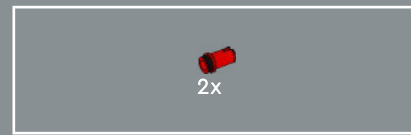
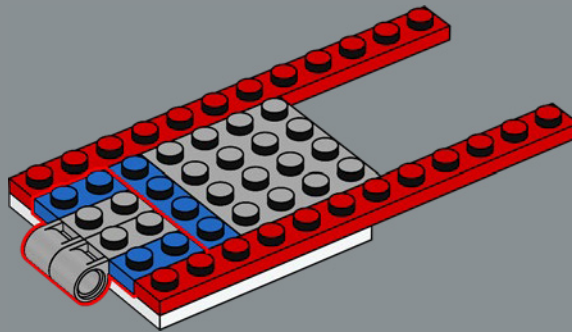
129



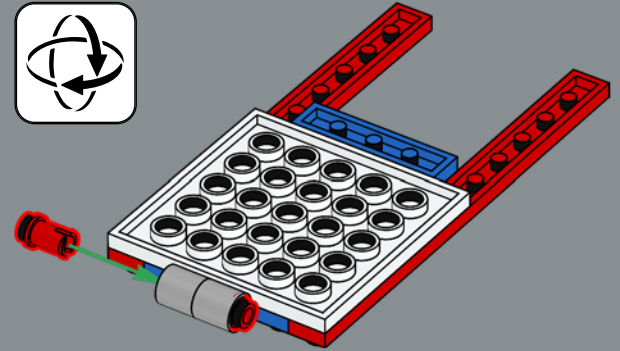
130



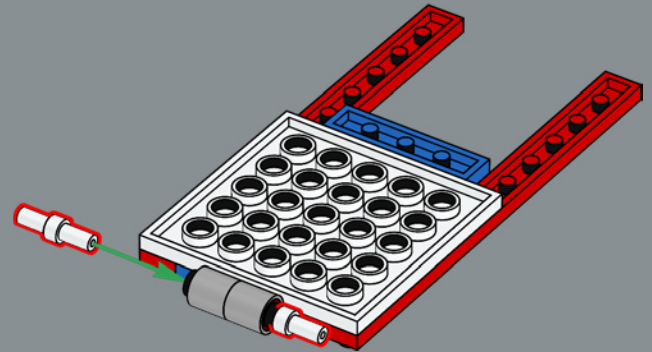
131



132

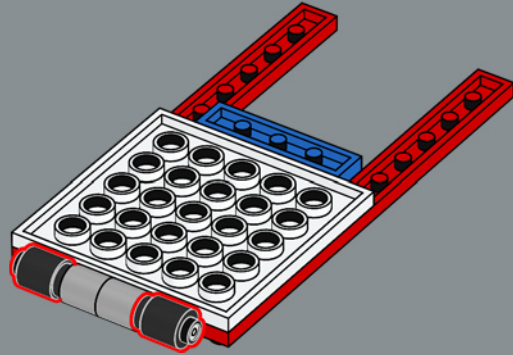


133

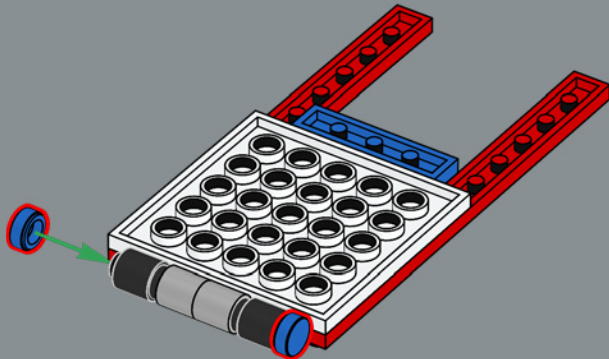




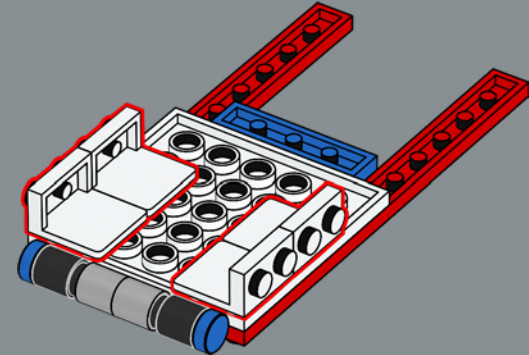
134



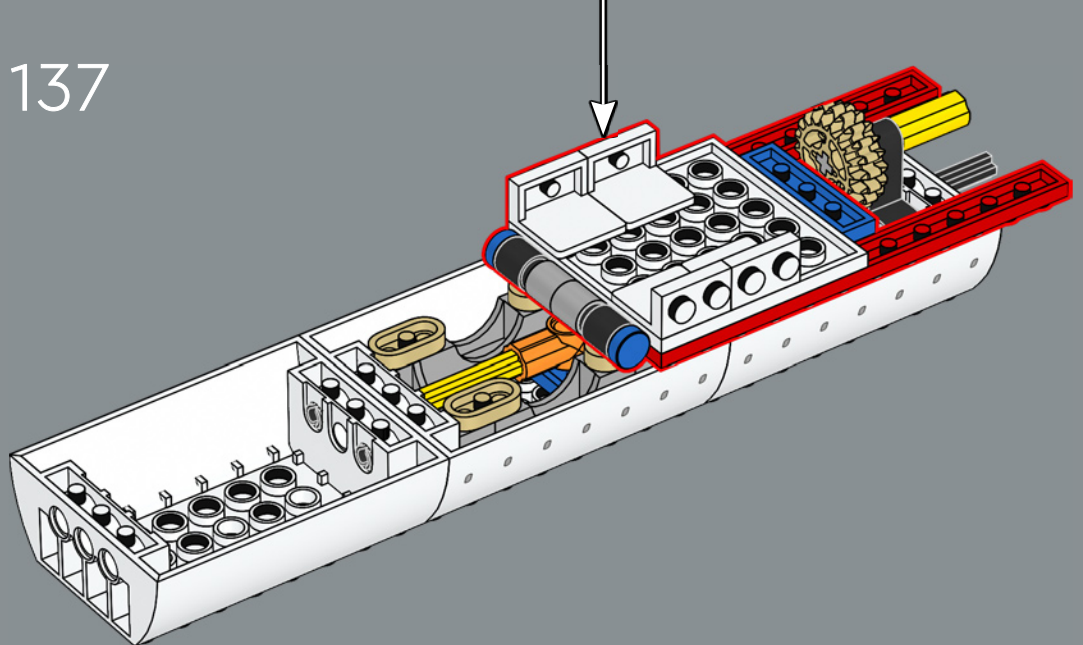
135



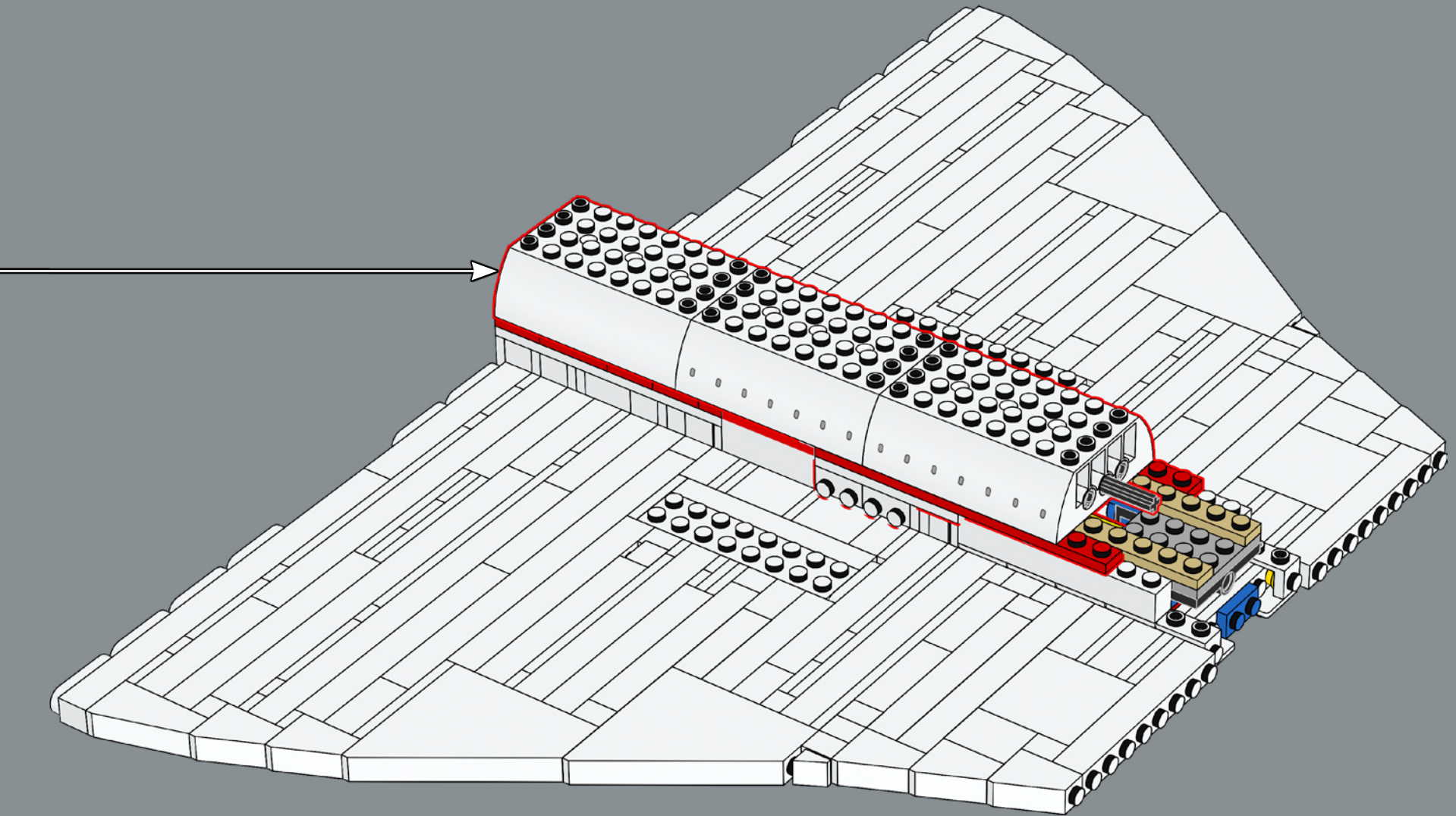
136

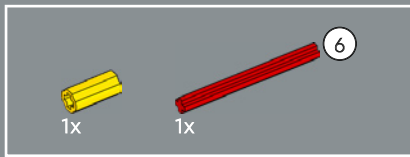


137

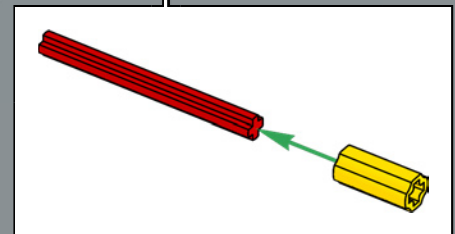
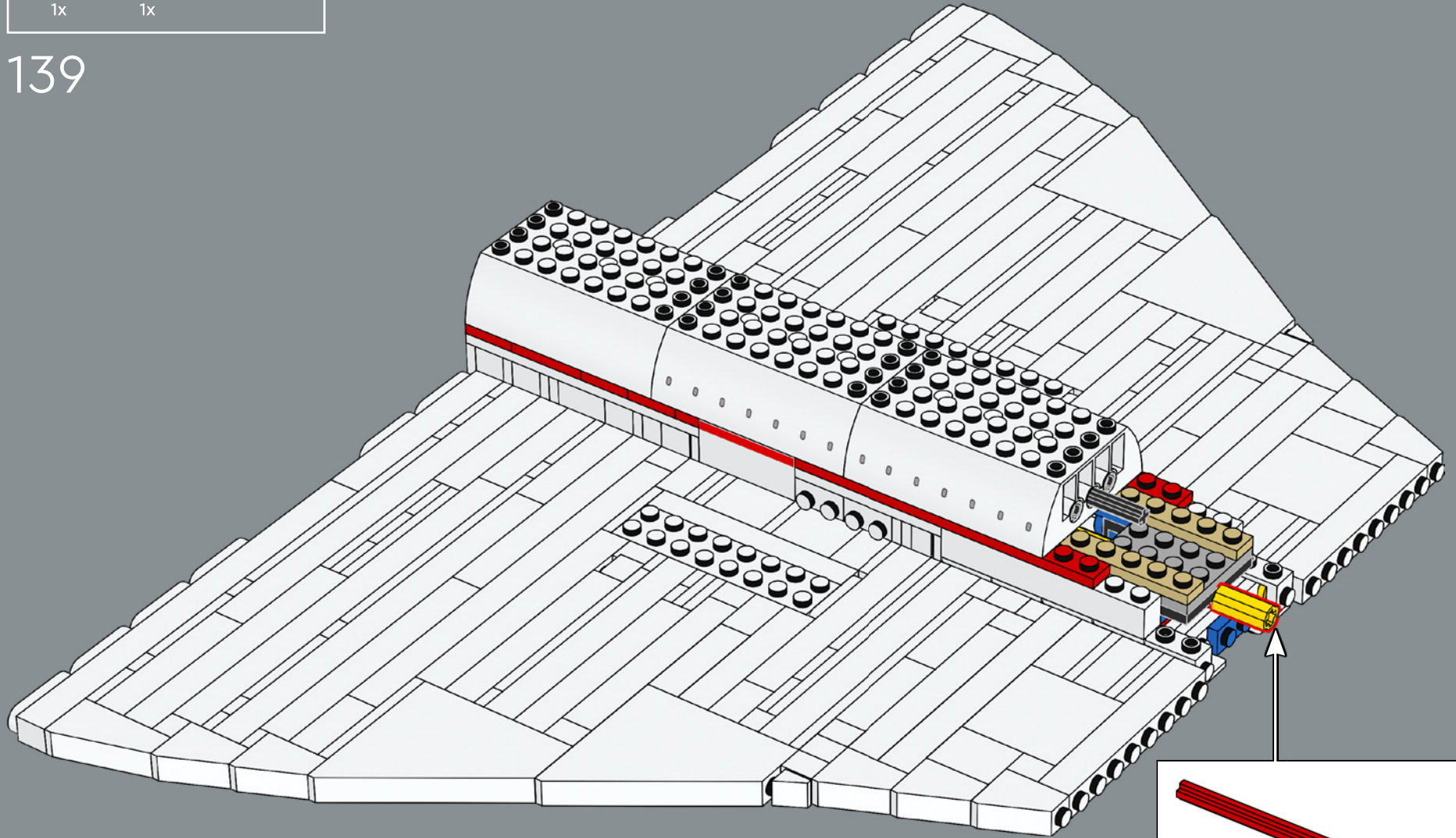




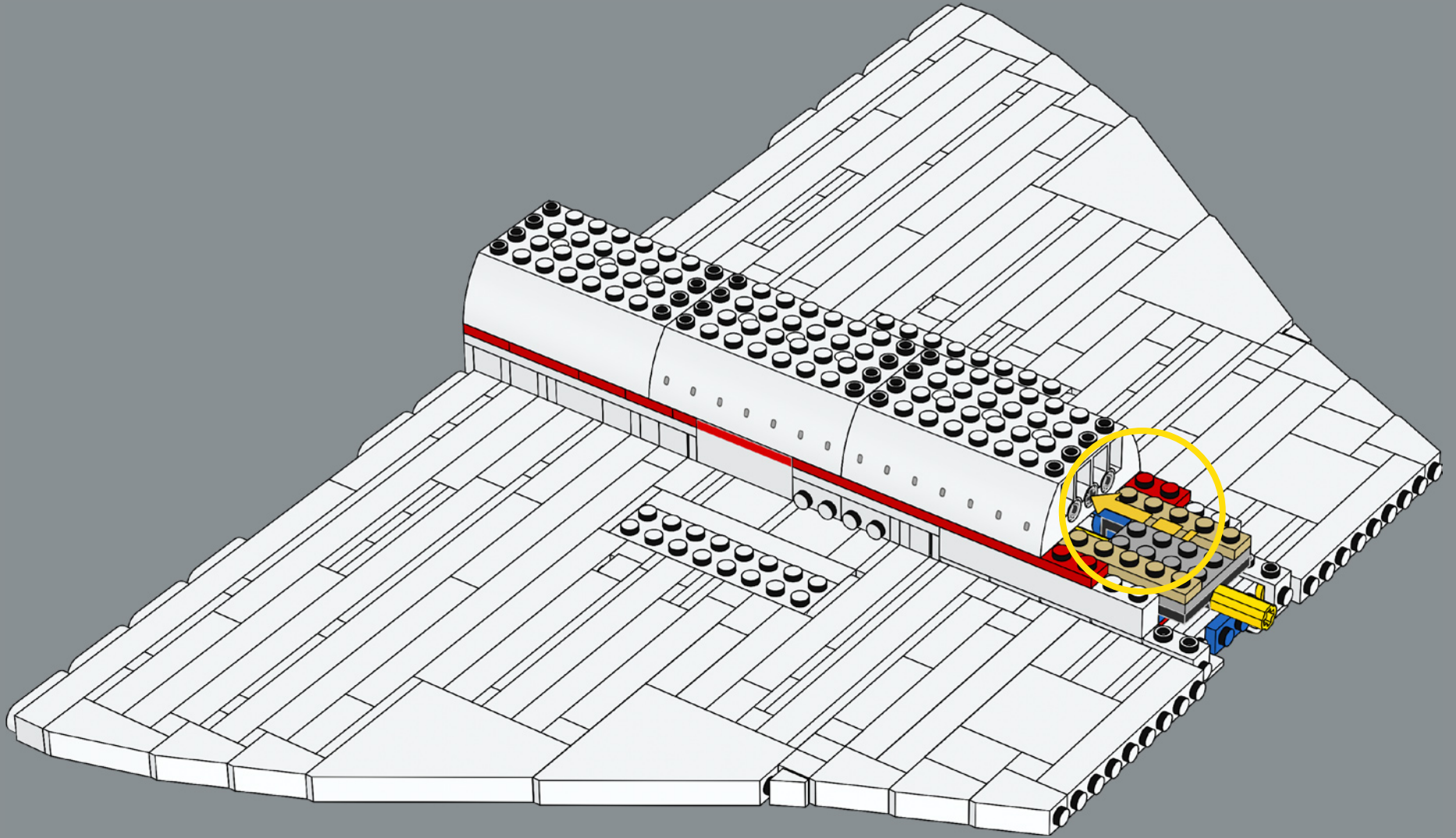


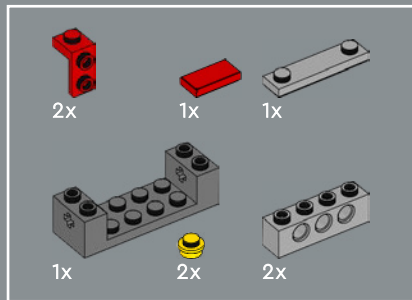


139



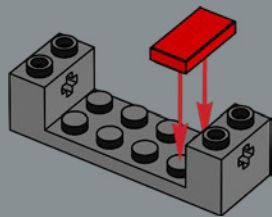




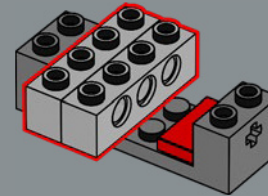


141

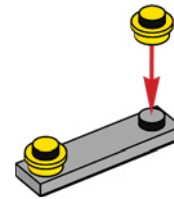
1



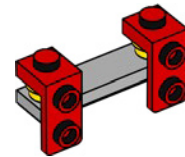
2



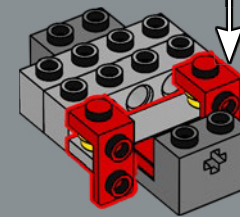
1



2



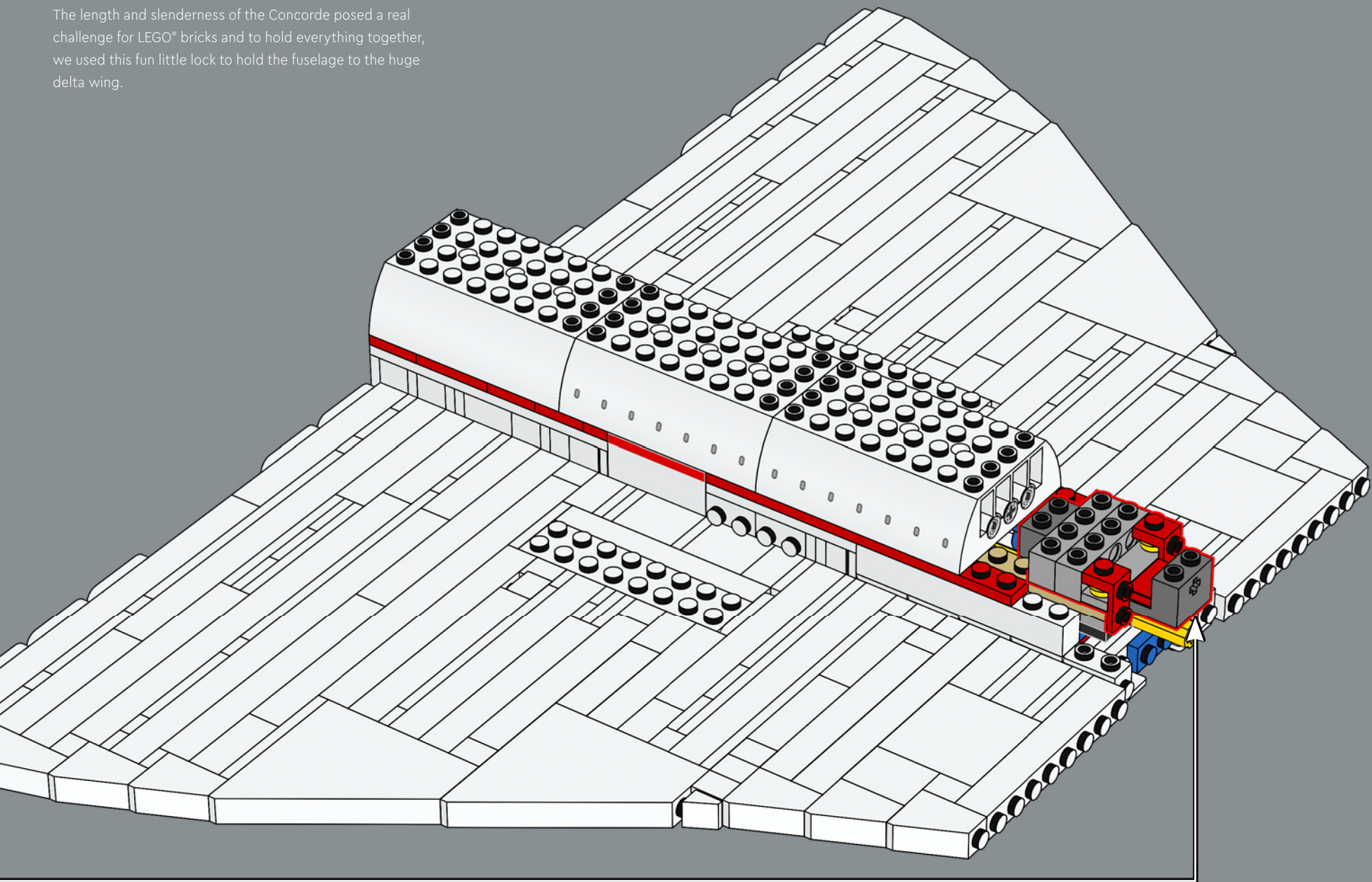
3

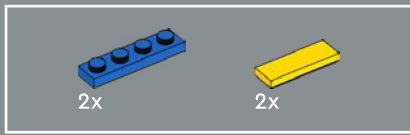




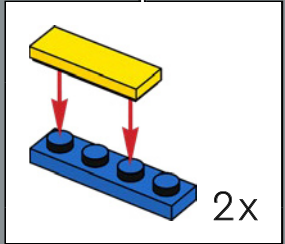
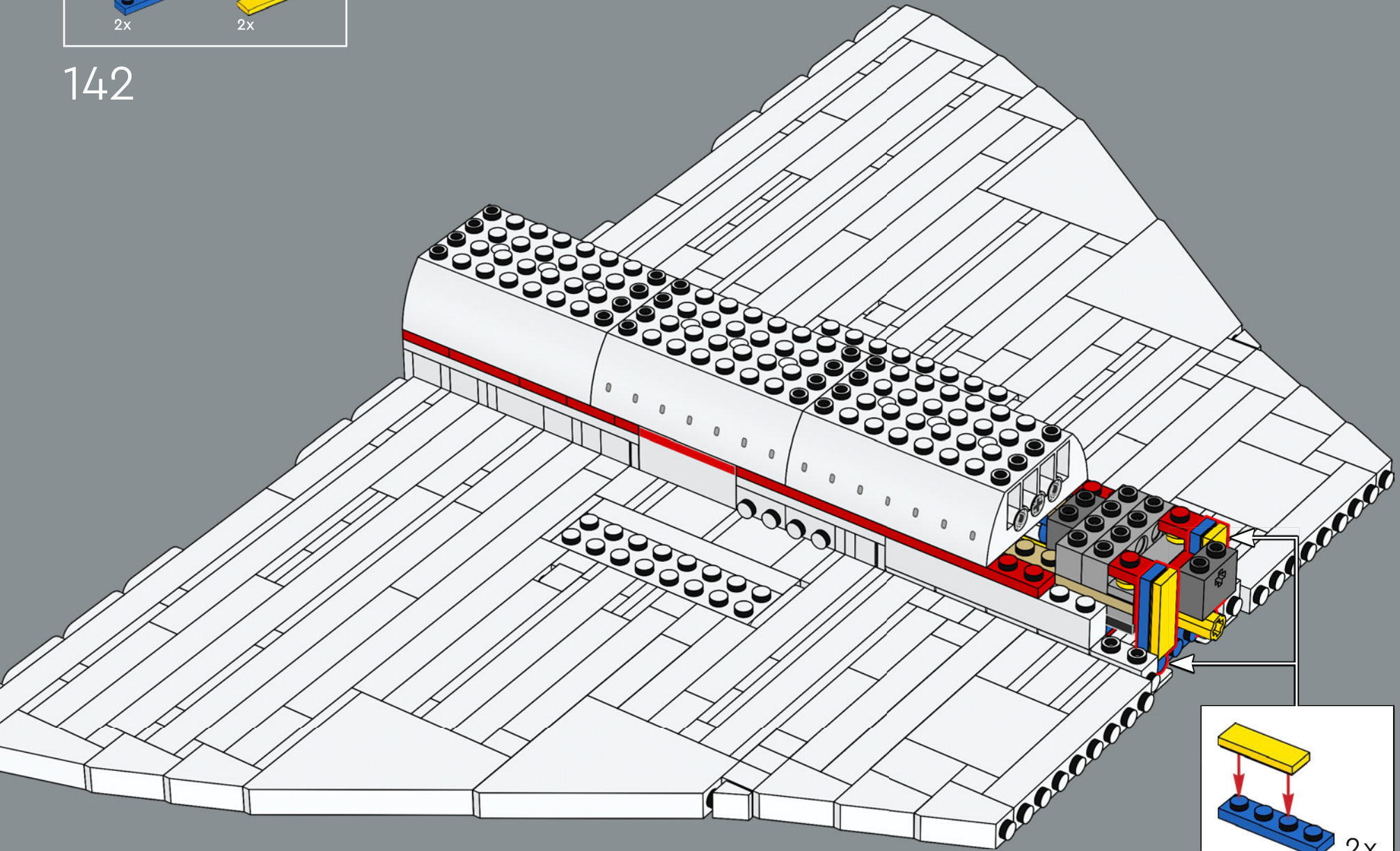


The length and slenderness of the Concorde posed a real challenge for LEGO® bricks and to hold everything together, we used this fun little lock to hold the fuselage to the huge delta wing.

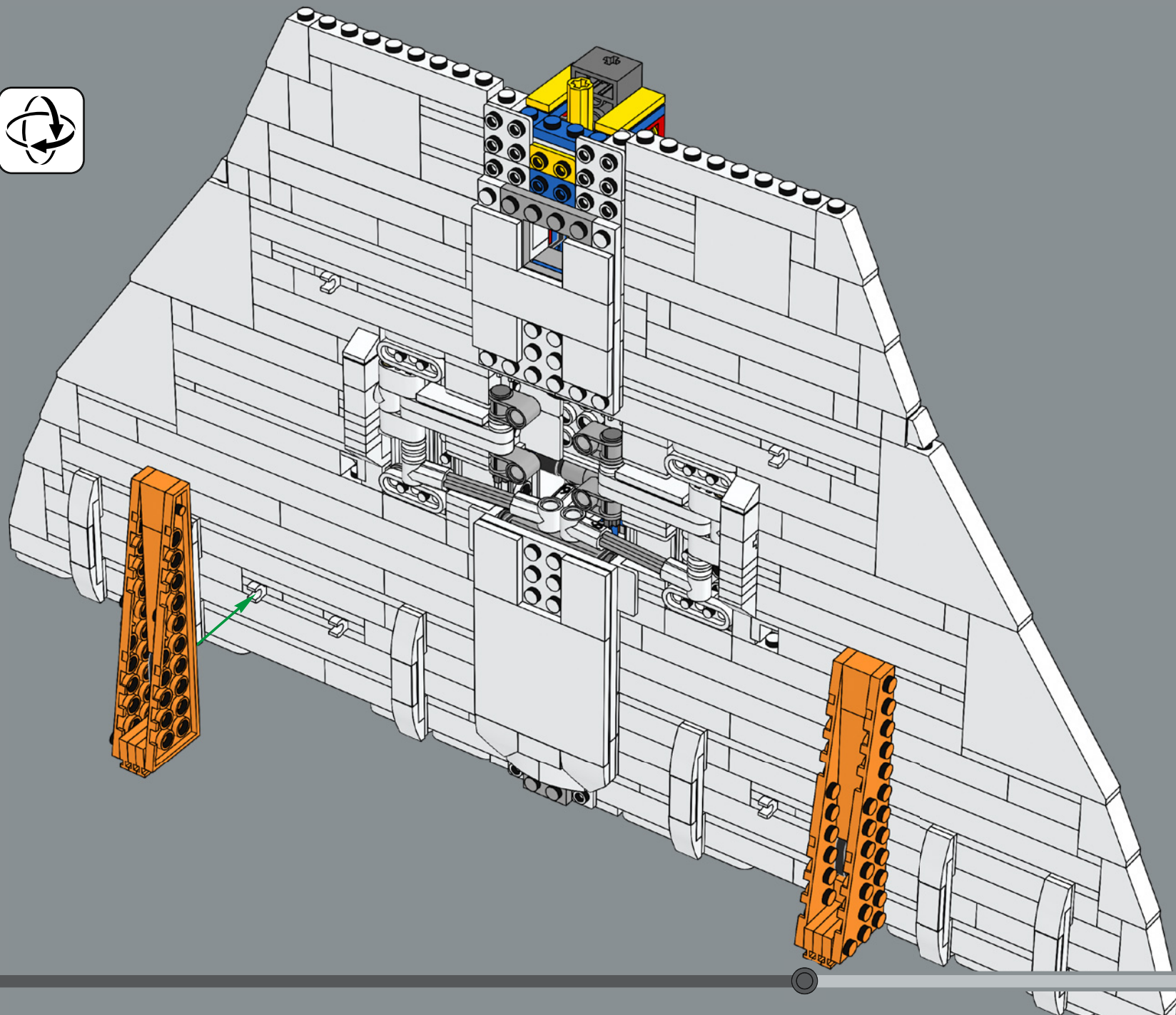


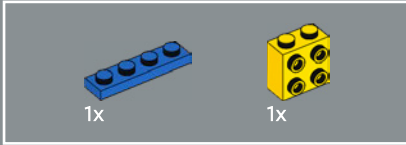
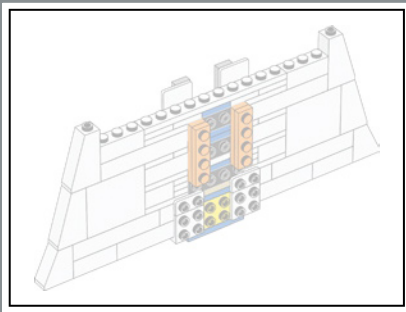


142

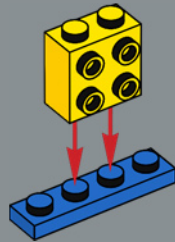




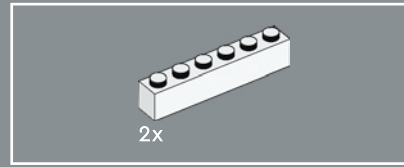
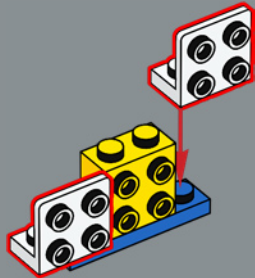




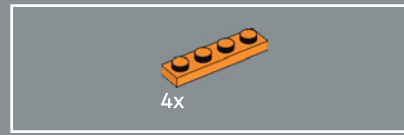
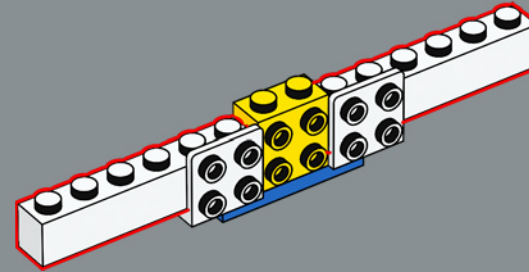
144



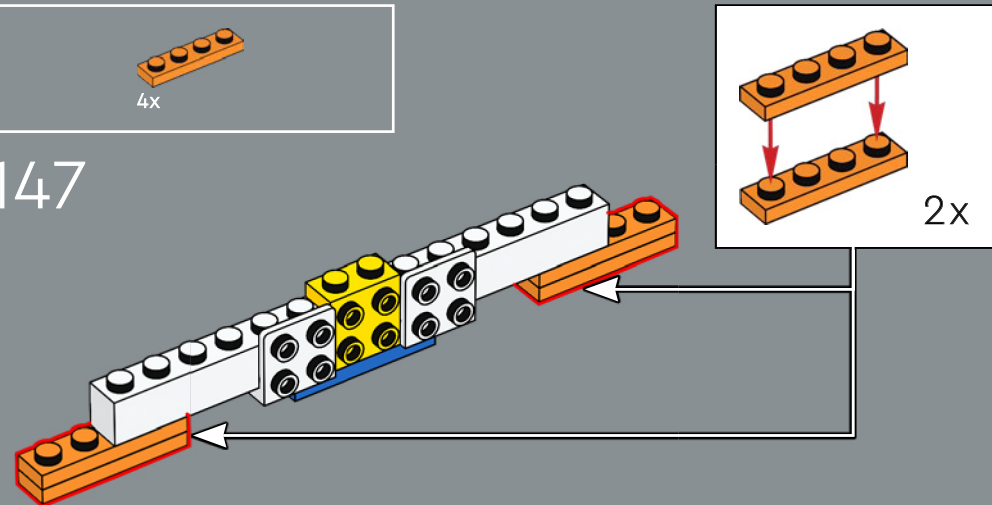
145



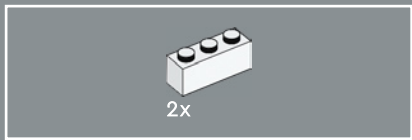
146



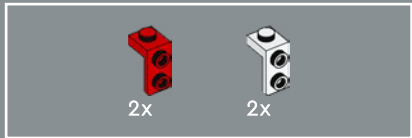
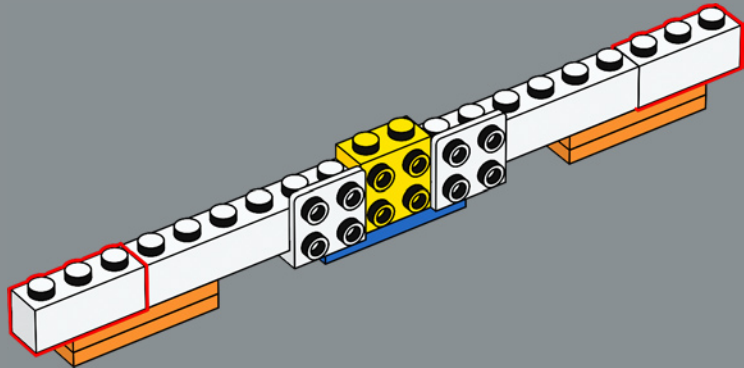
147



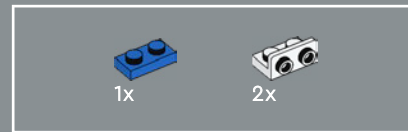
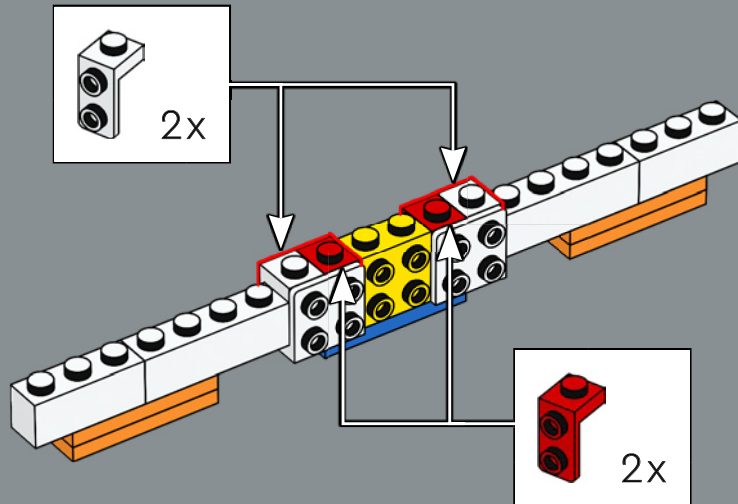




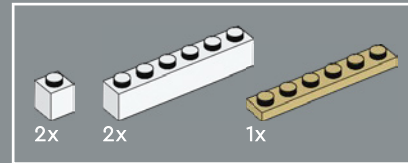
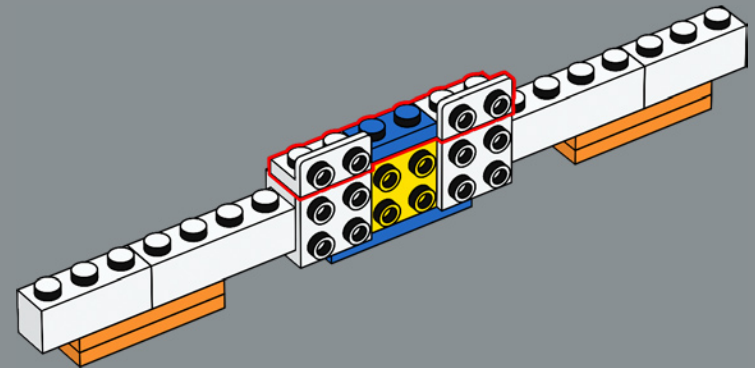
148



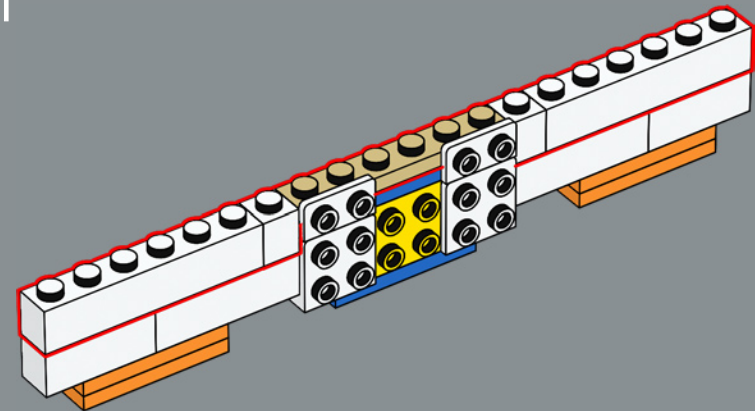
149

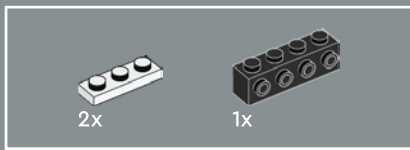


150

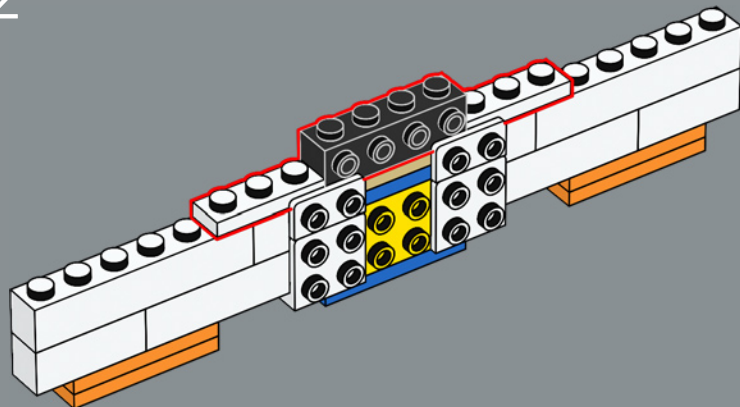


151

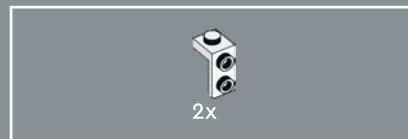
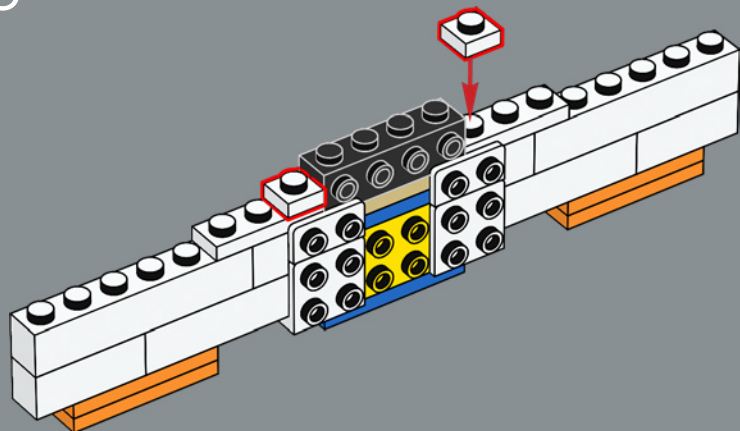




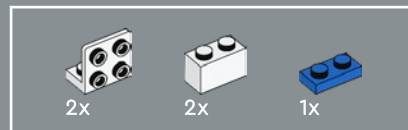
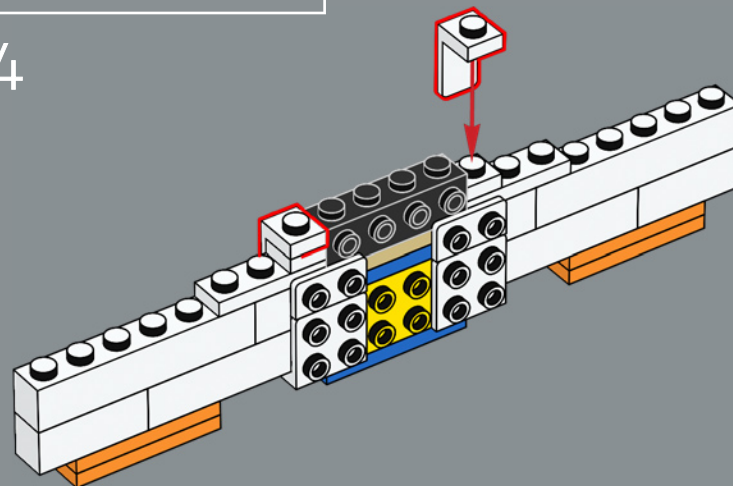
152



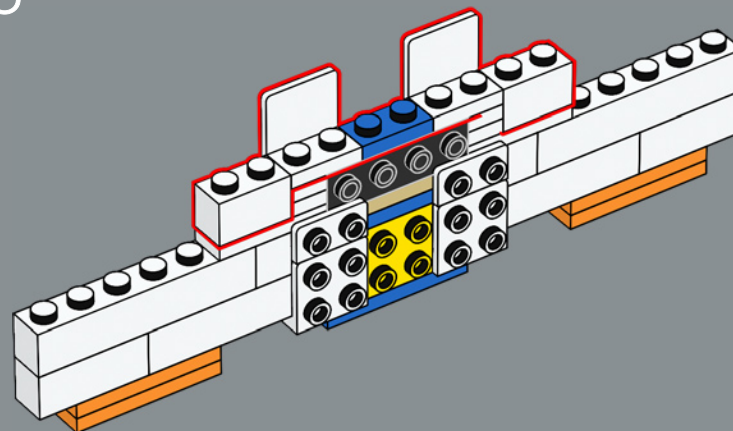
153

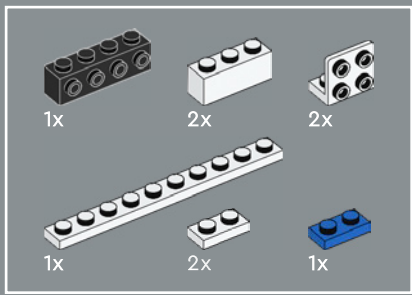


154

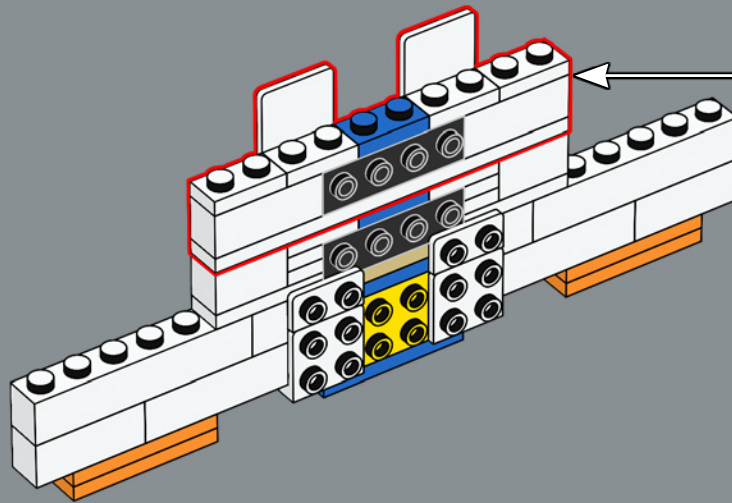
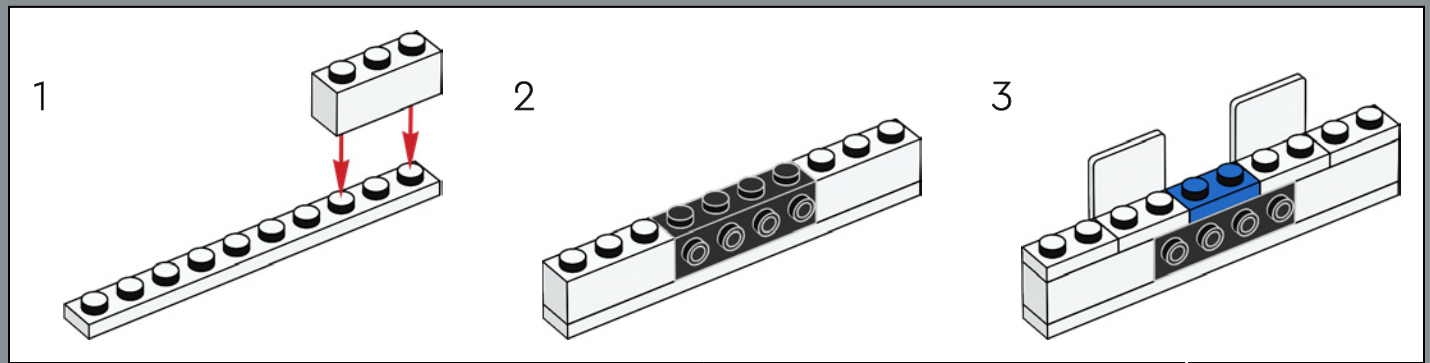


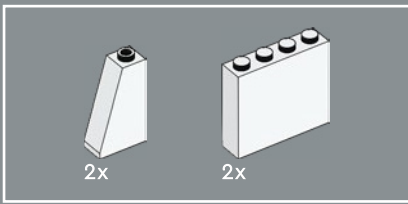
155



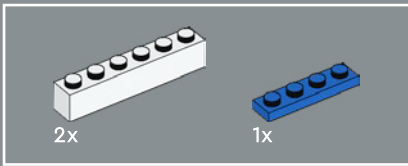
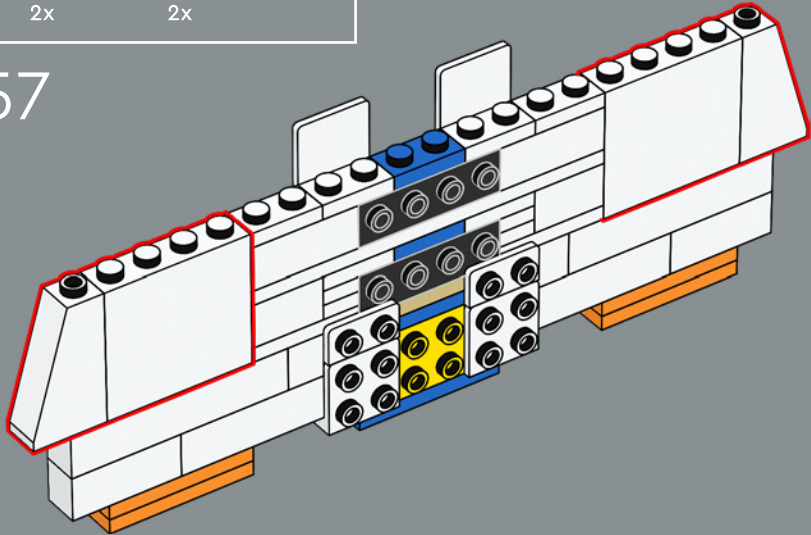


156

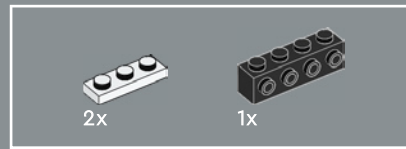
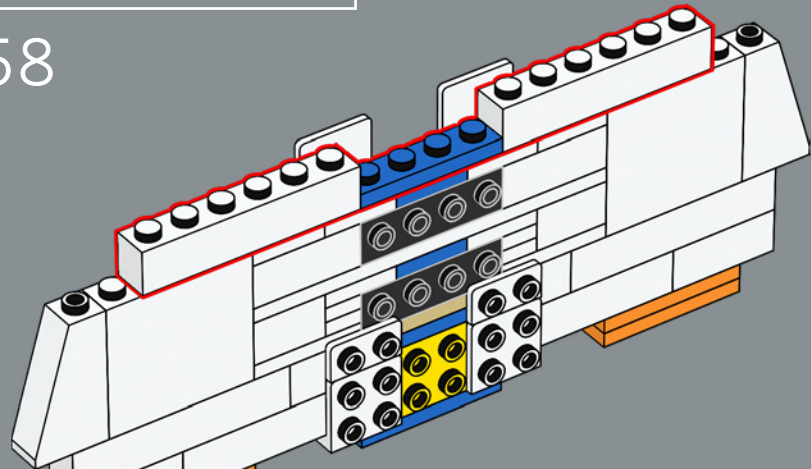




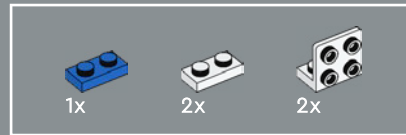
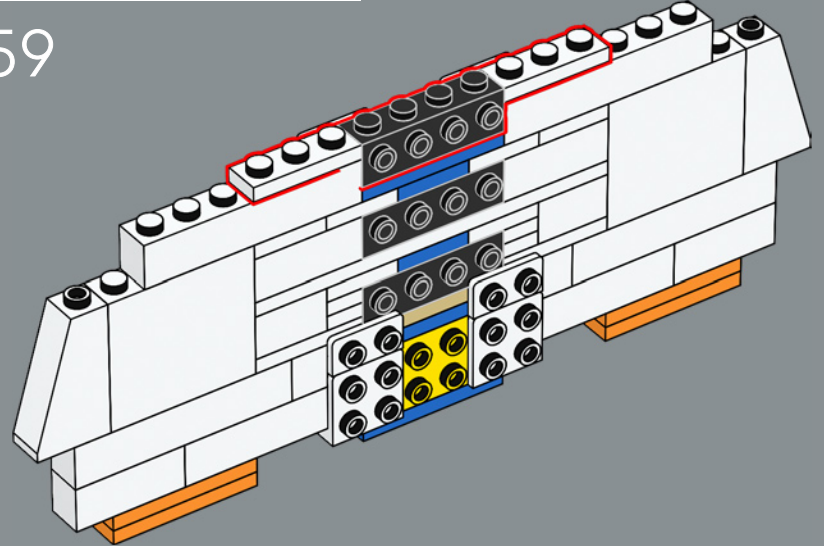
157



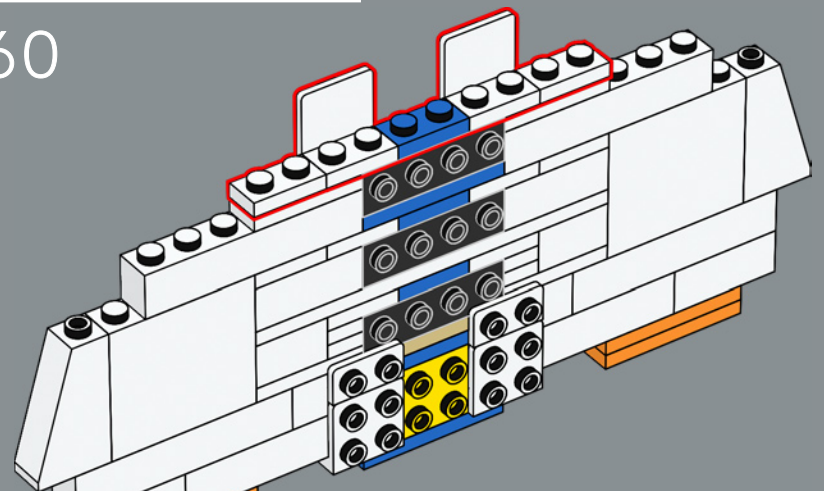
158



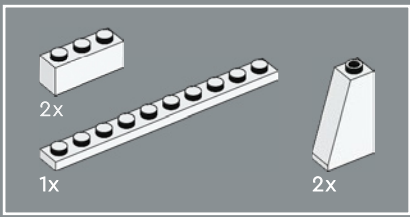
159



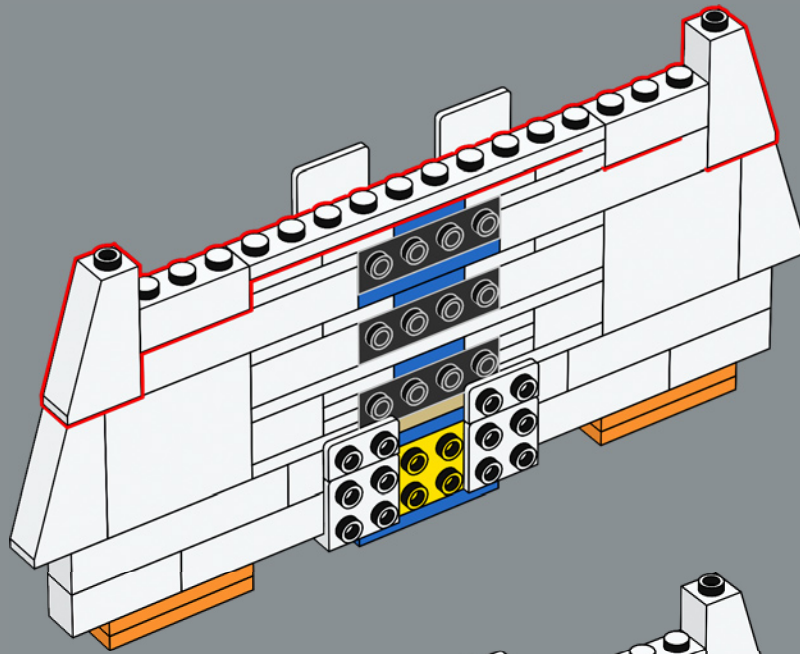
160



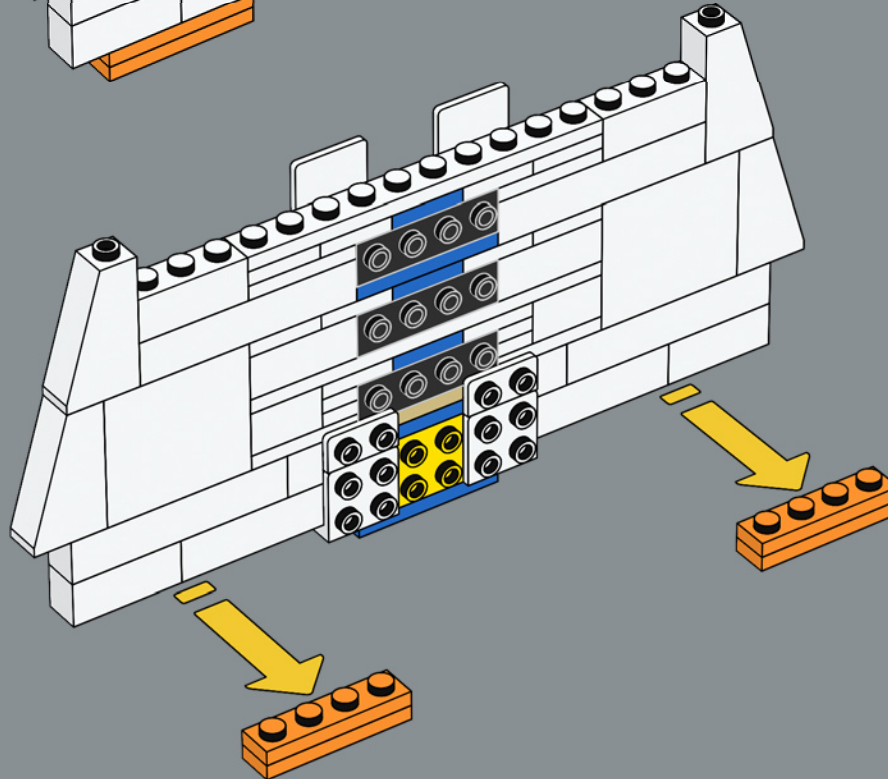


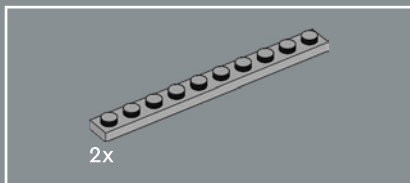


161

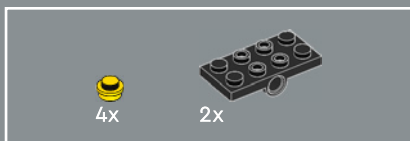
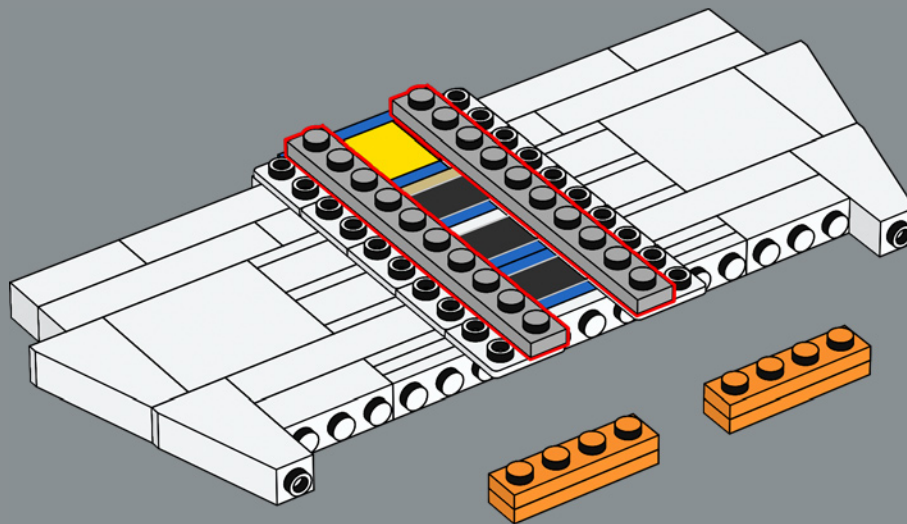


162

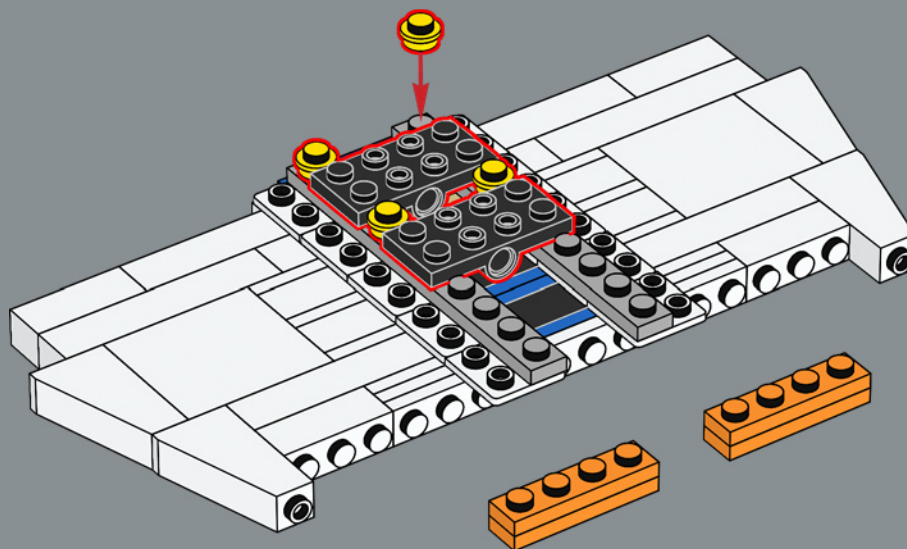


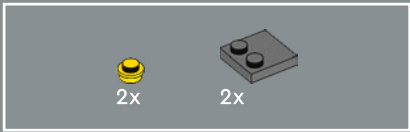


163

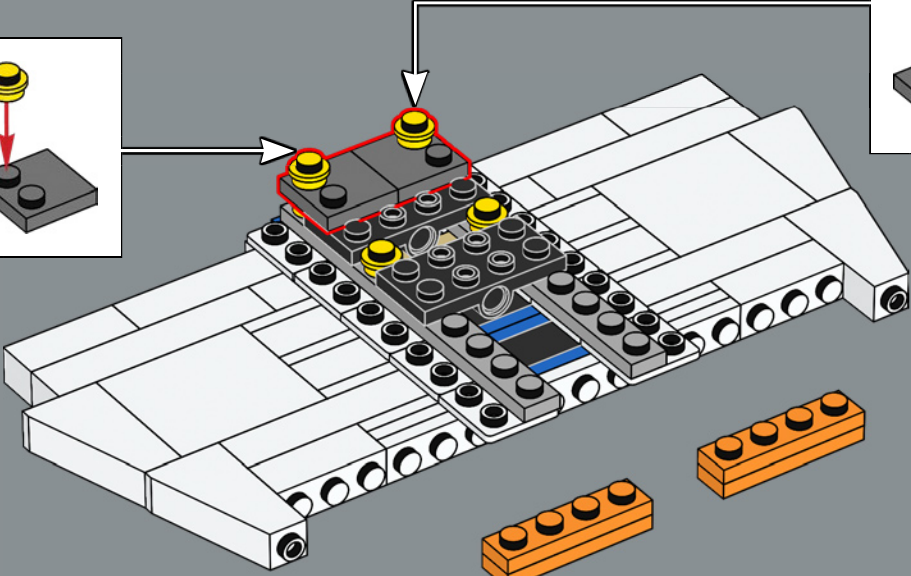
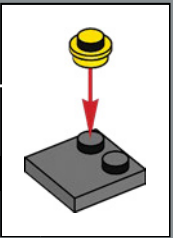
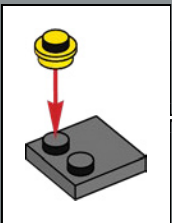


164

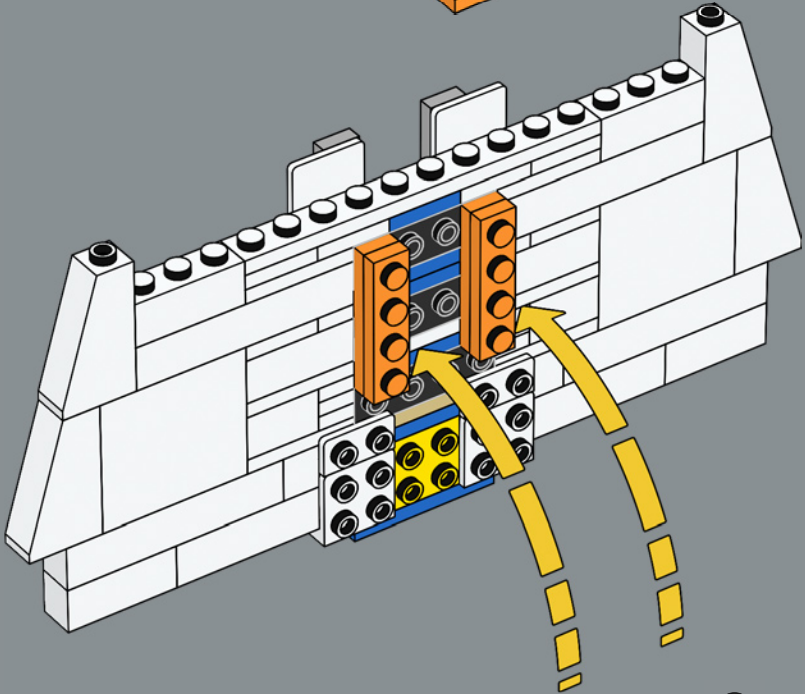




165

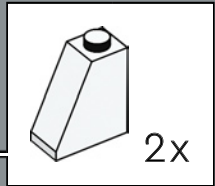
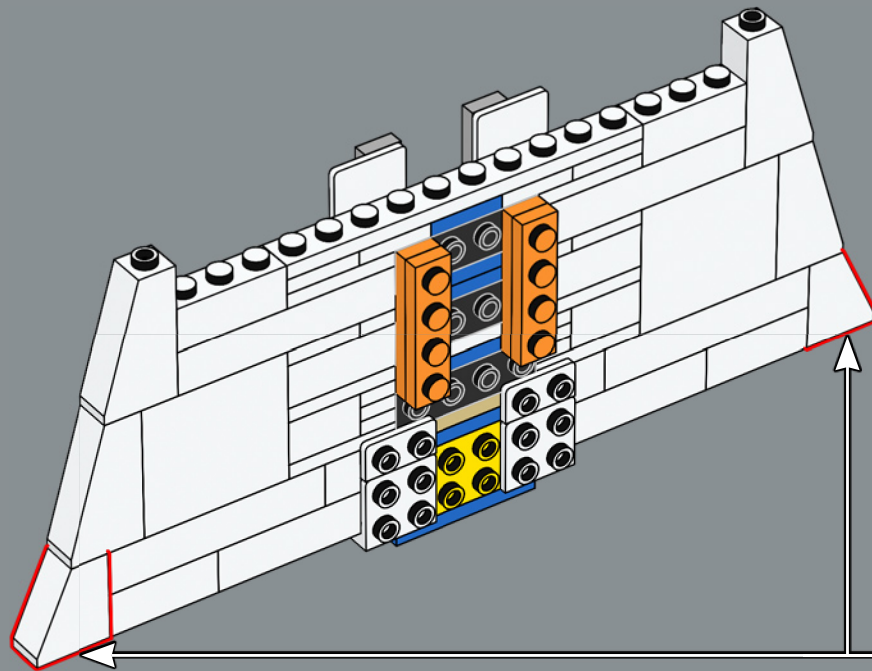


166

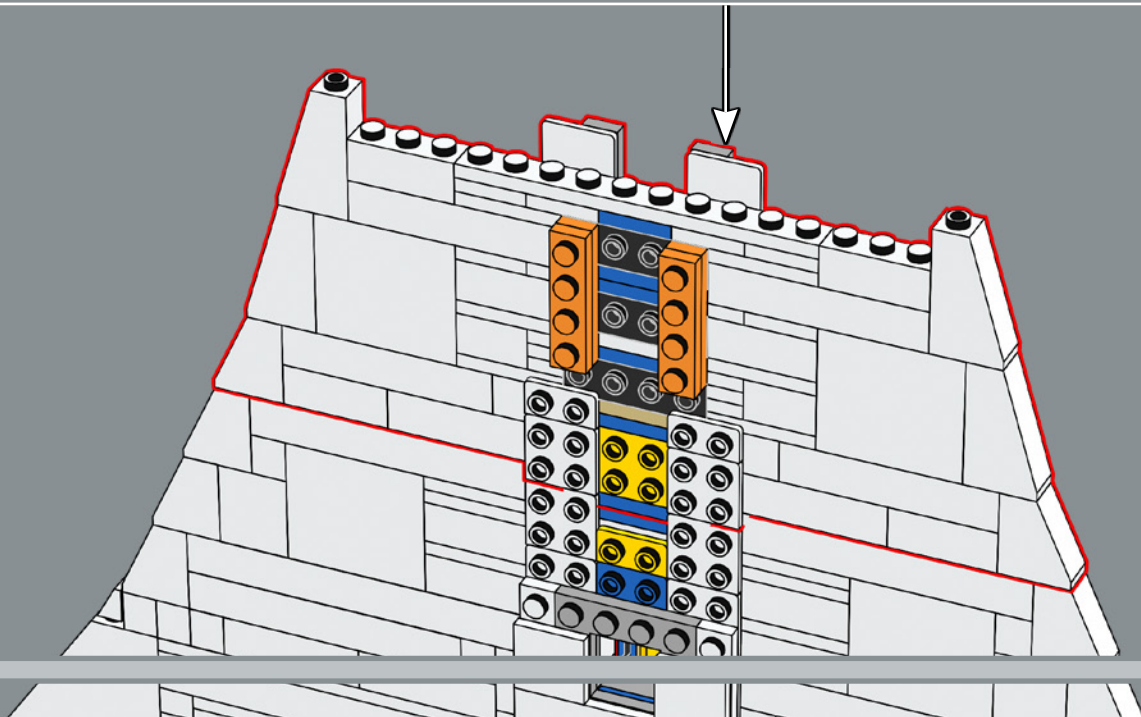




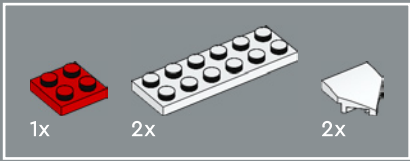
167



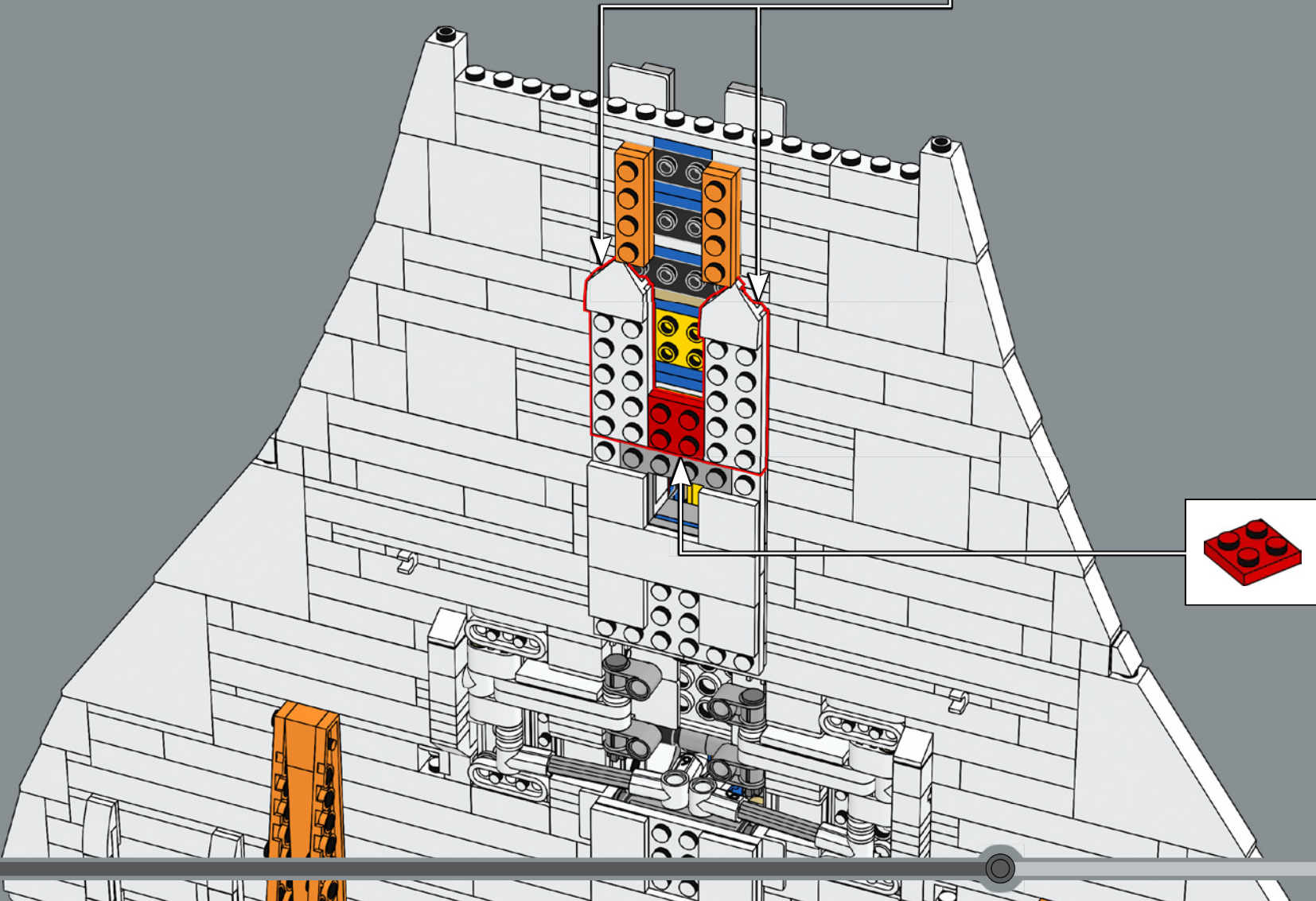
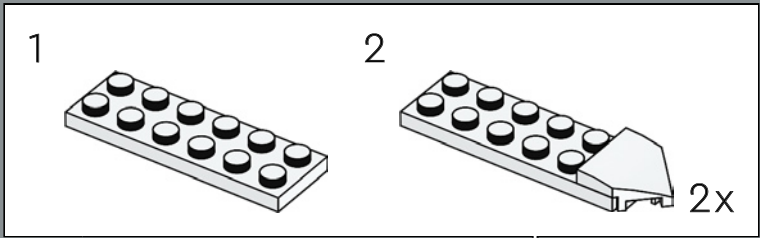
168



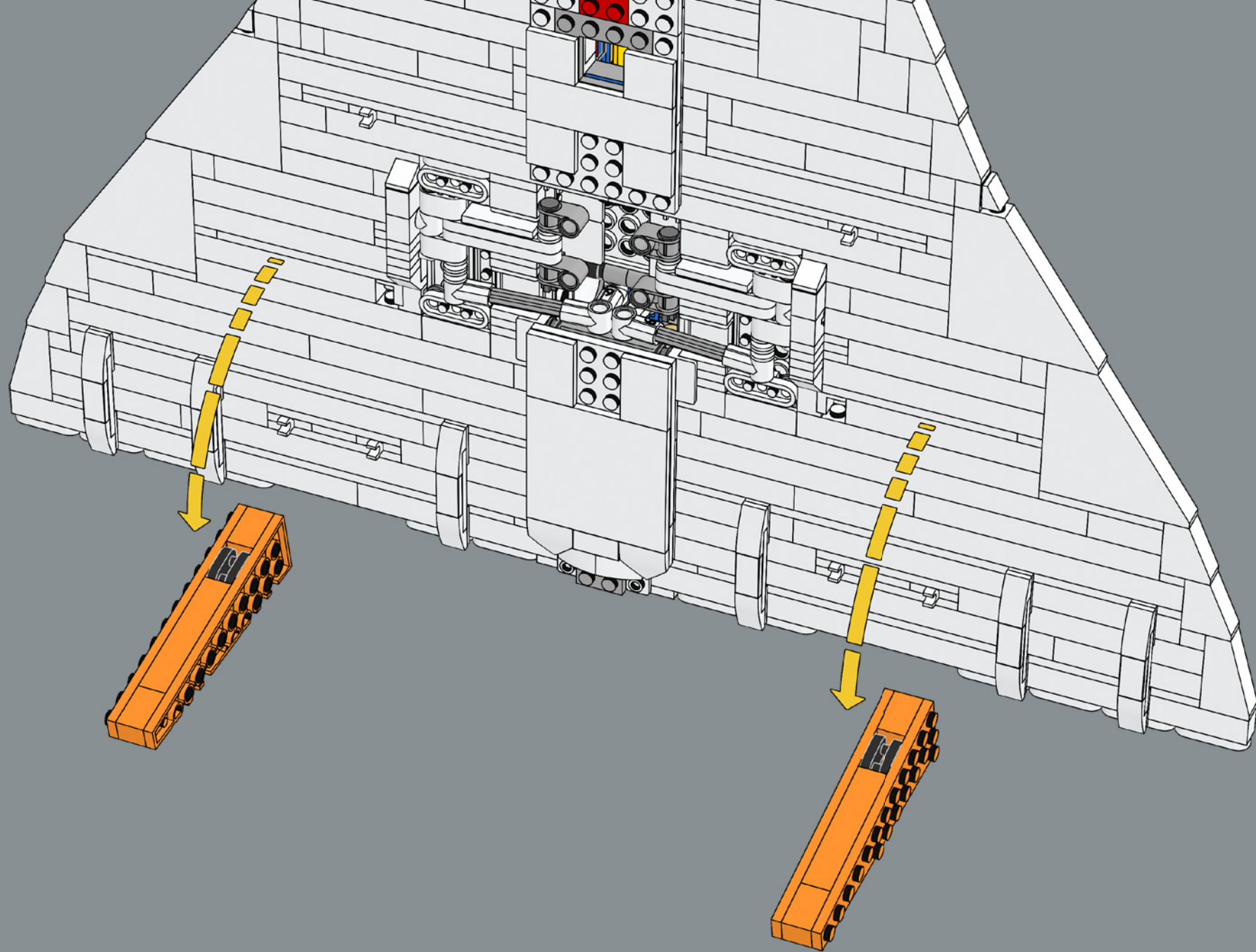




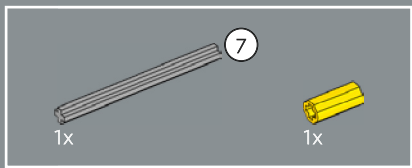
169



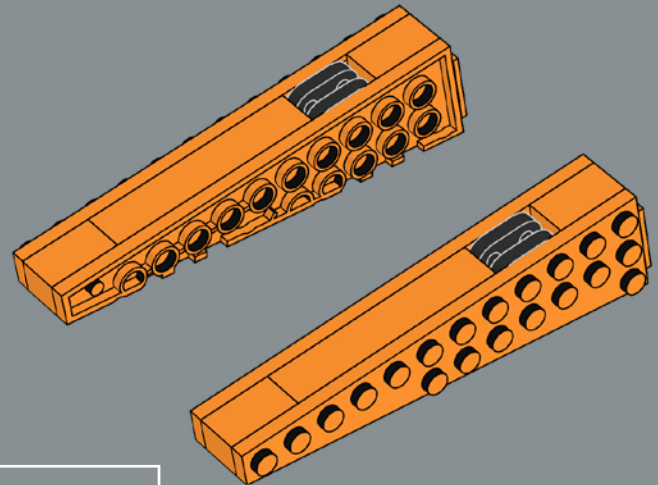
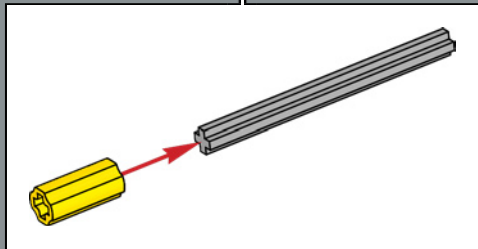
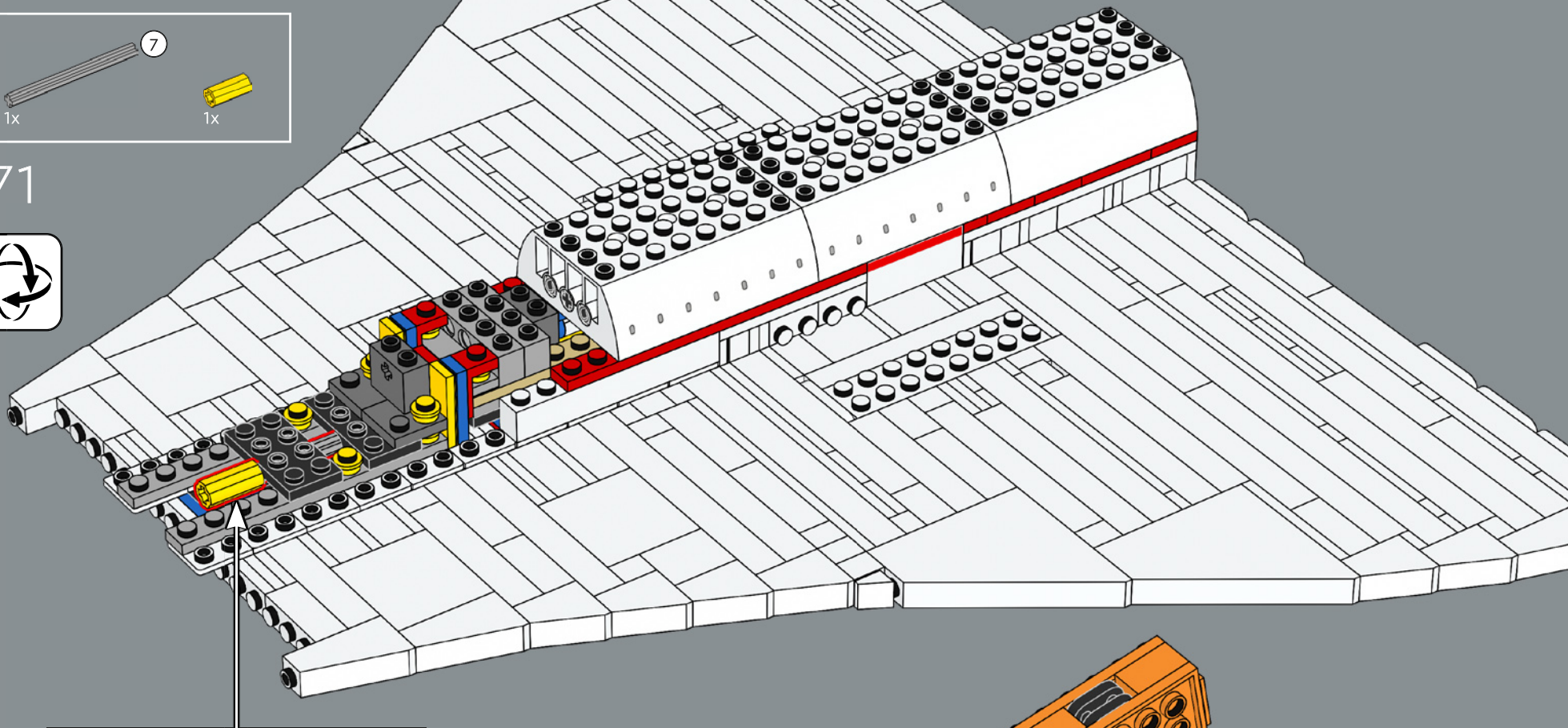
170

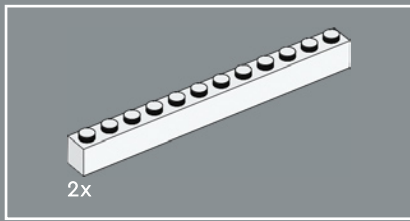




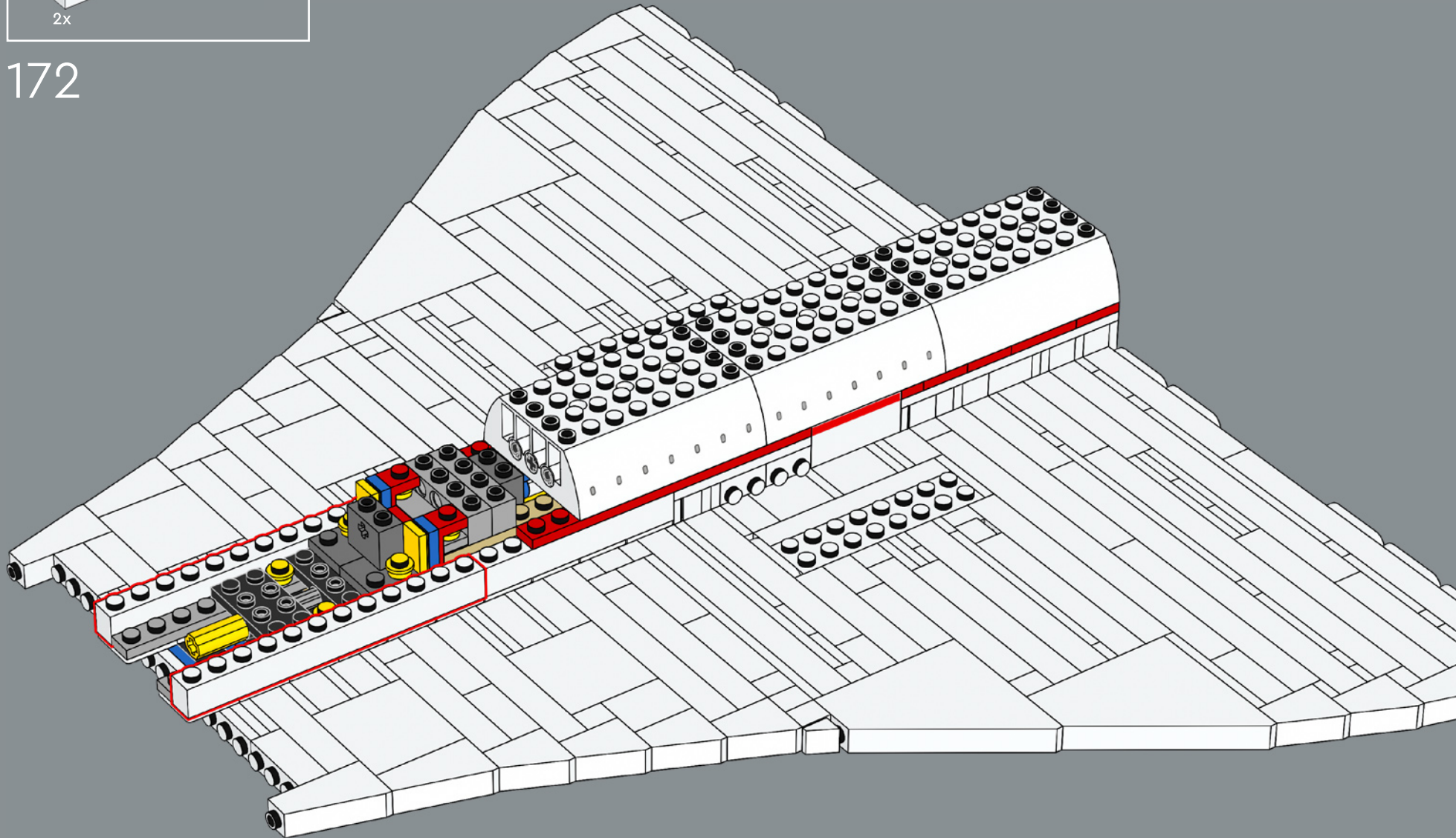


171

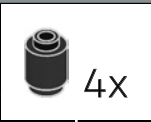
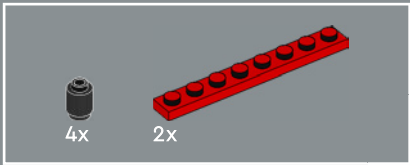




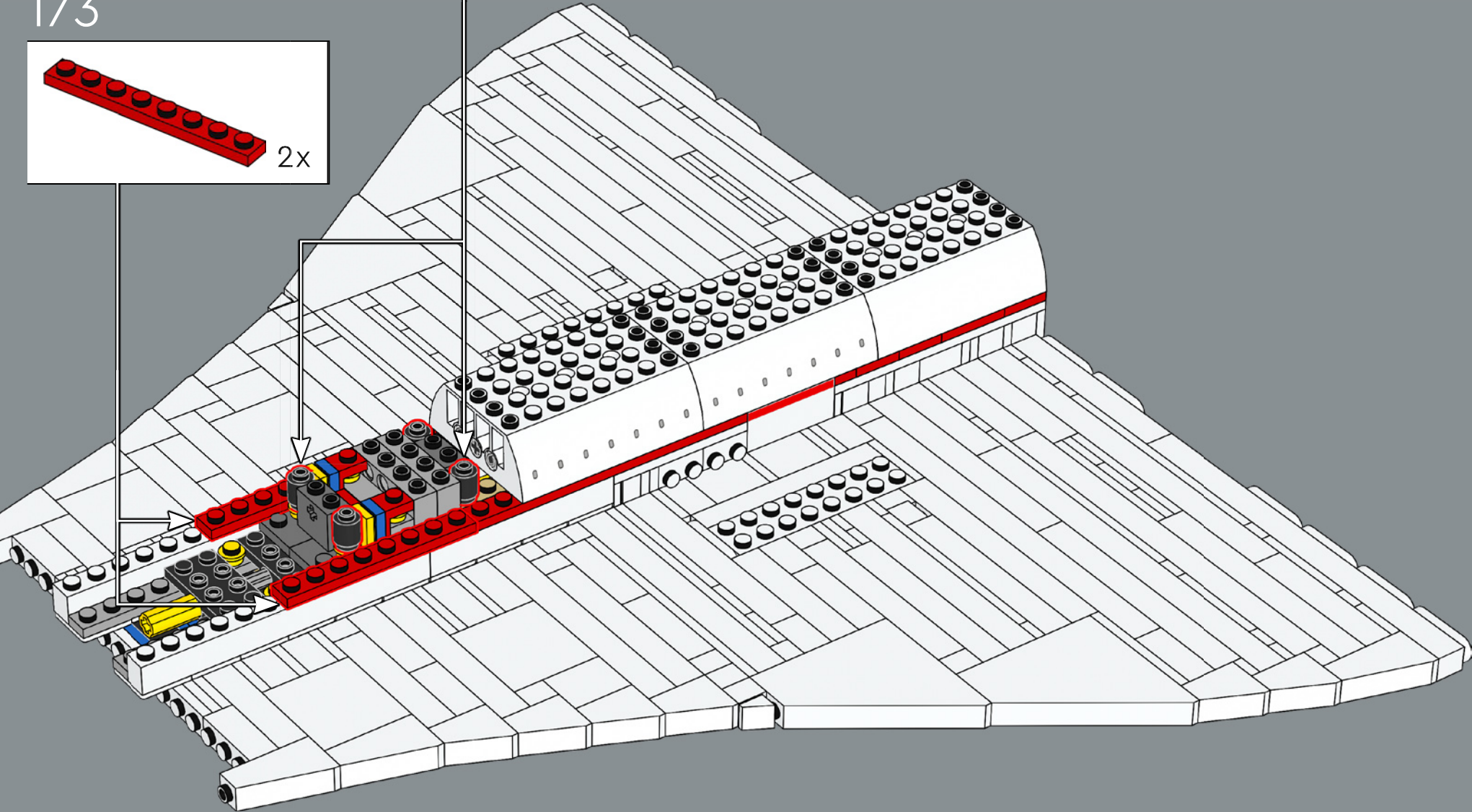
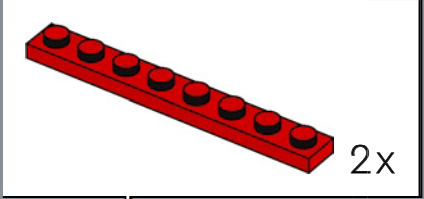
172

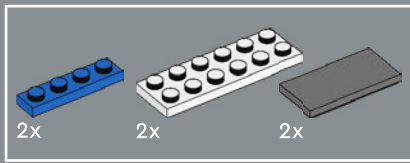




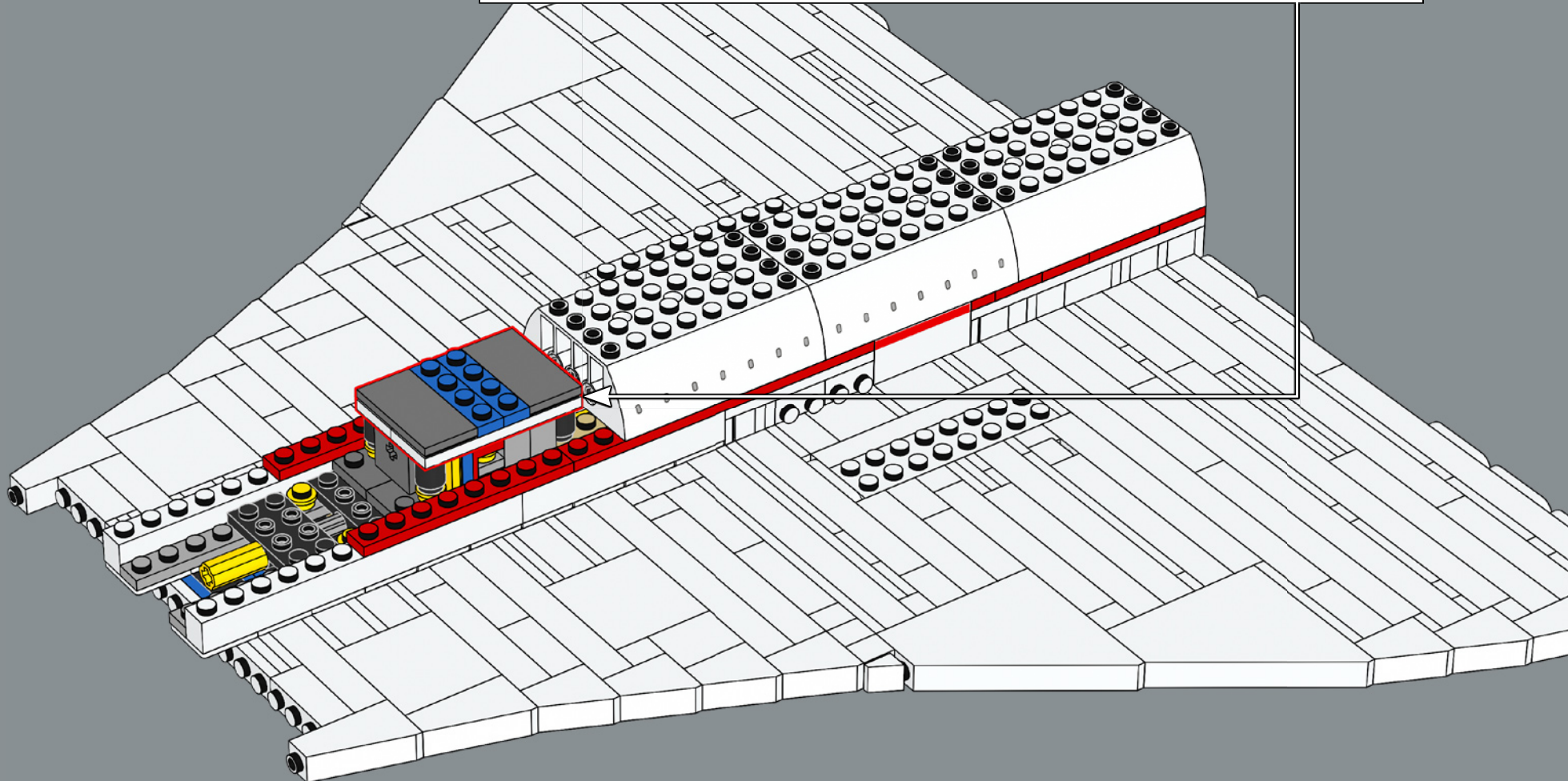
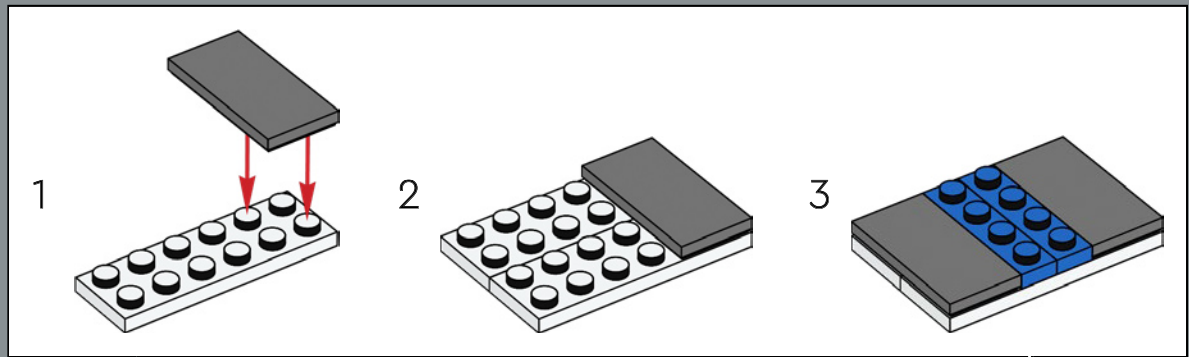


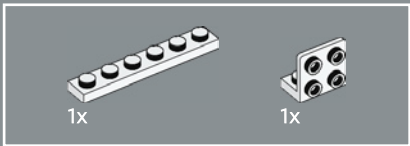
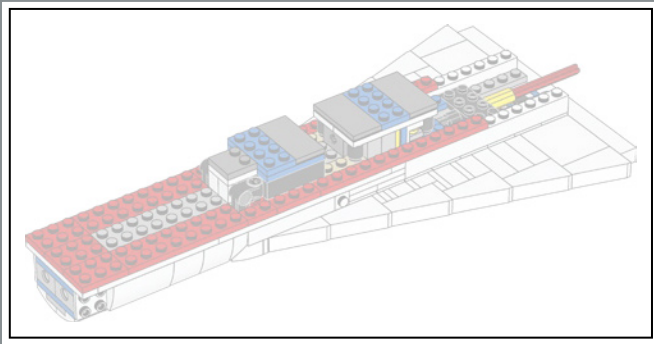
173



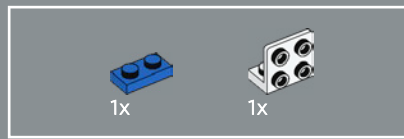
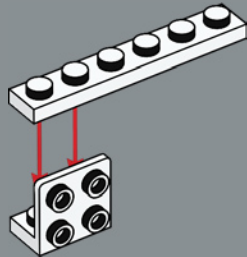


174

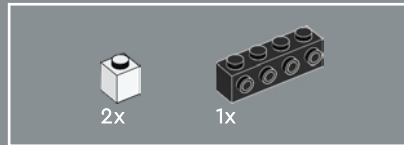
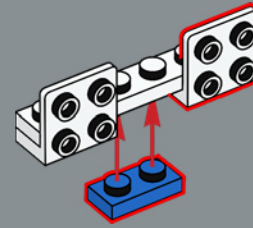




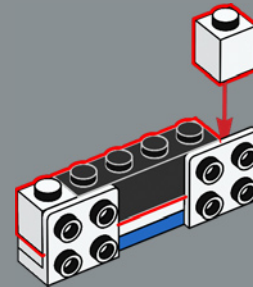
175



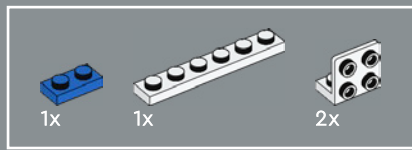
176



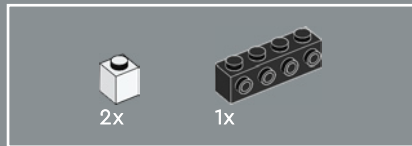
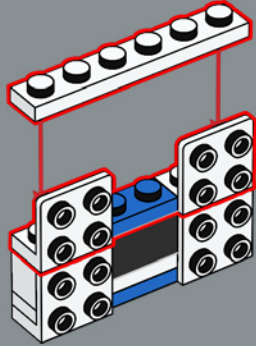
177



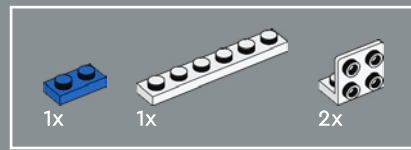
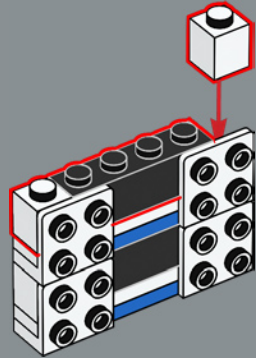




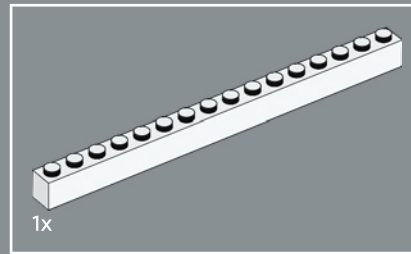
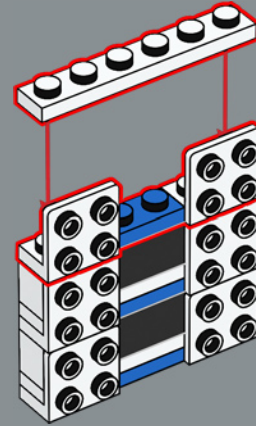
178



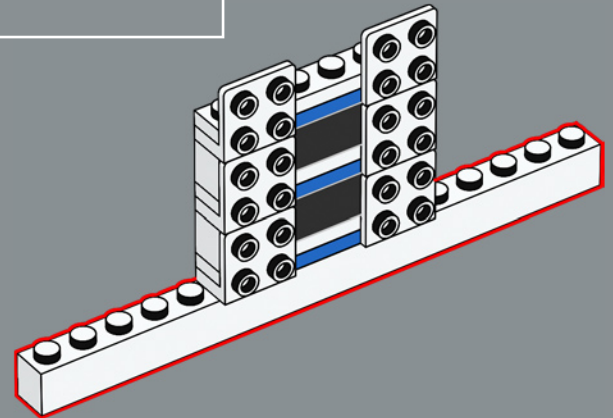
179



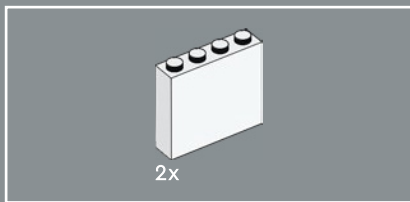
180



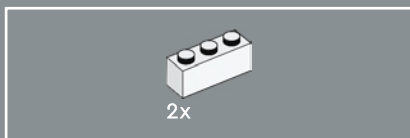
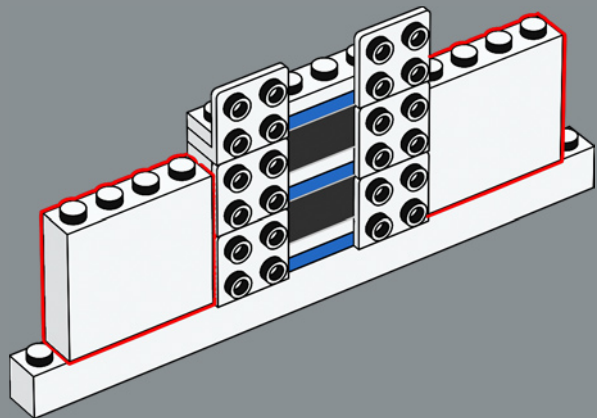
181



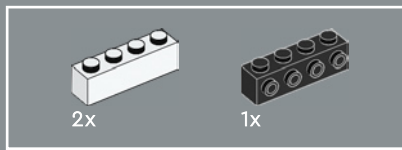
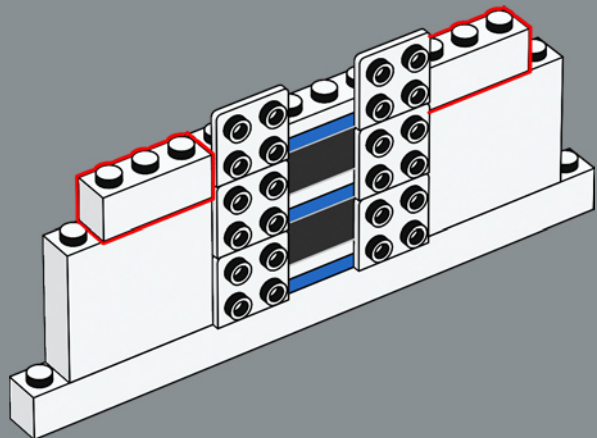




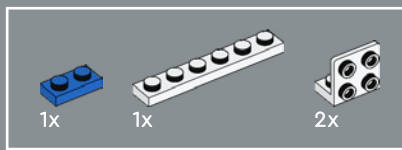
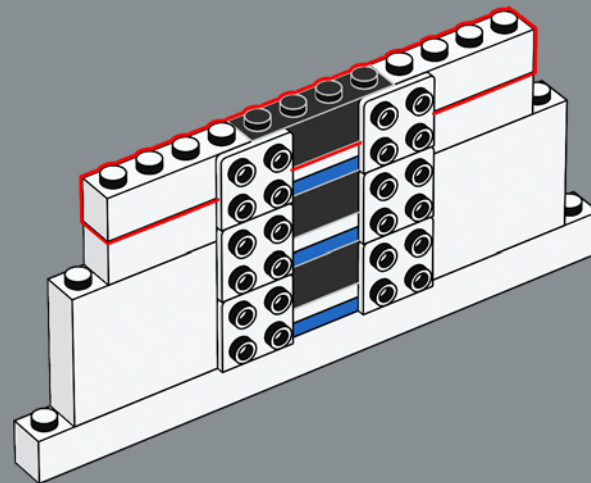
182



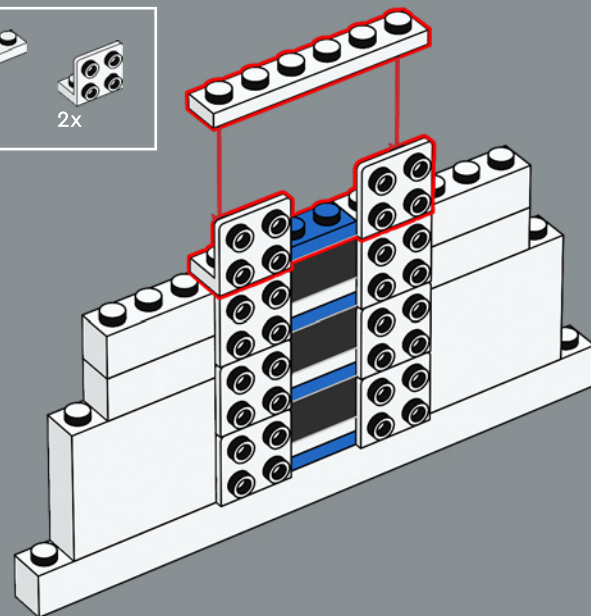
183

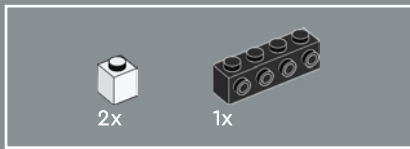


184

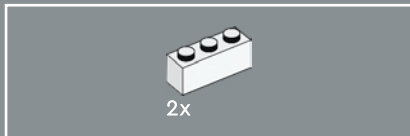
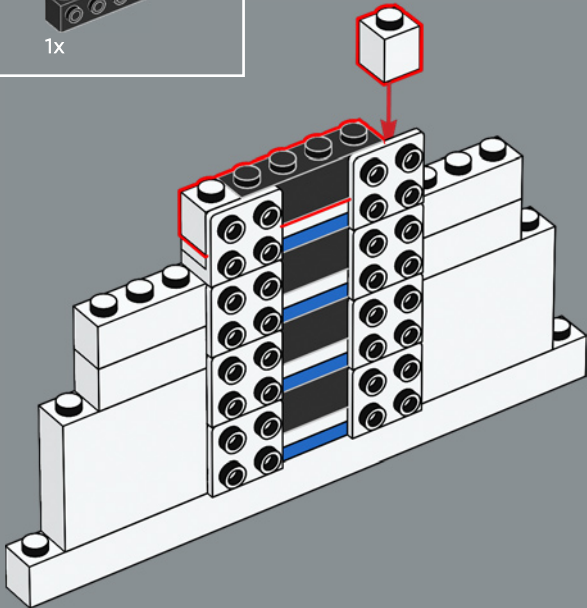


185

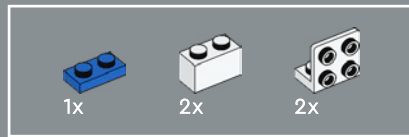
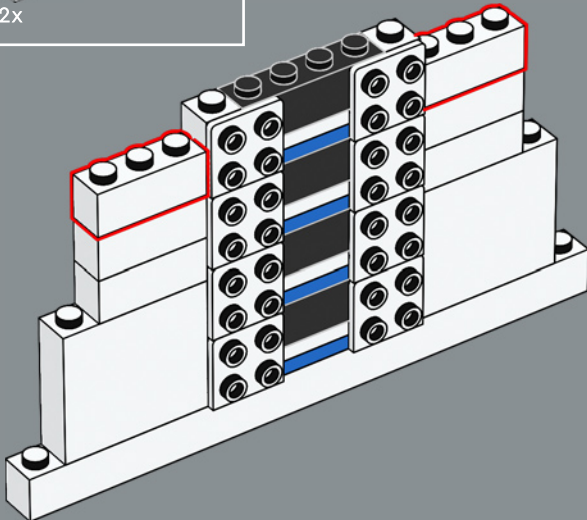




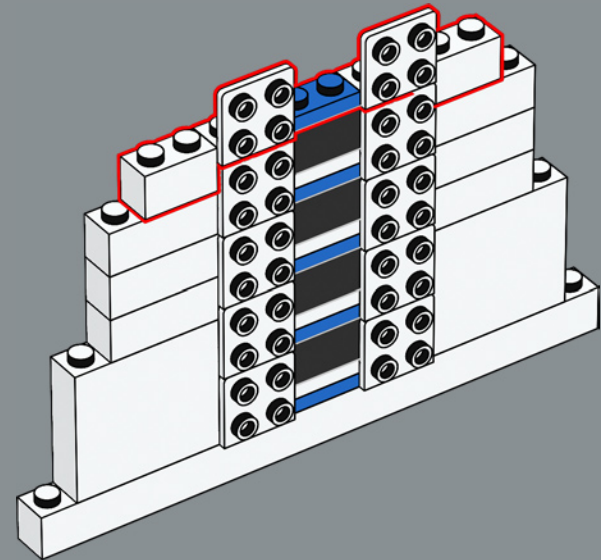
186

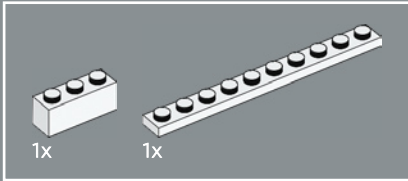
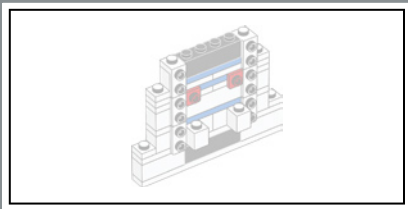


187

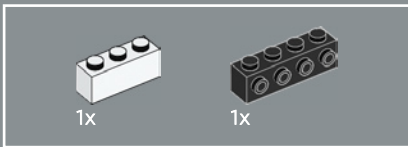
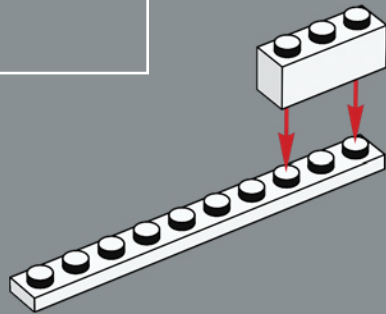


188

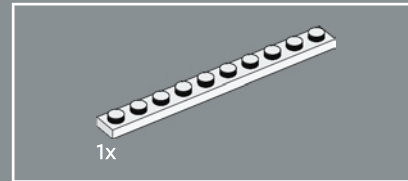
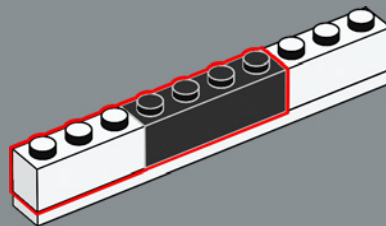




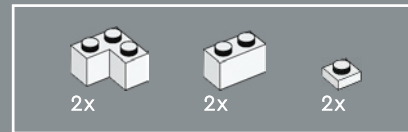
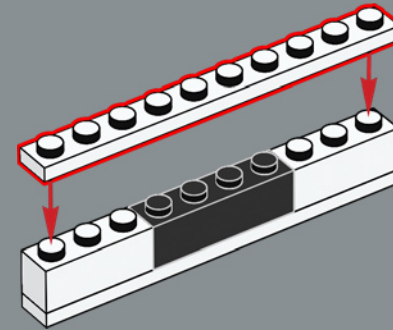
189



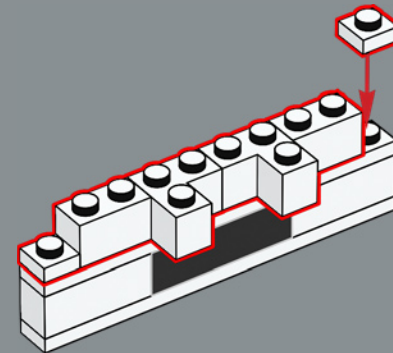
190

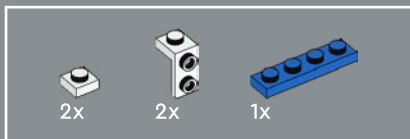


191

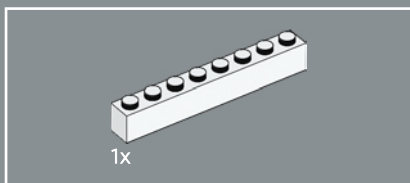
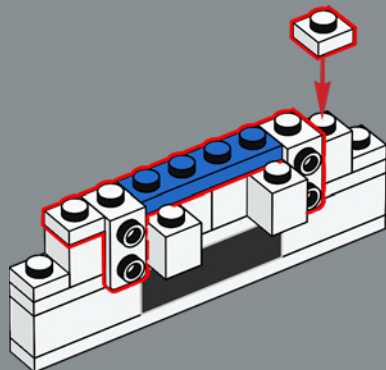


192

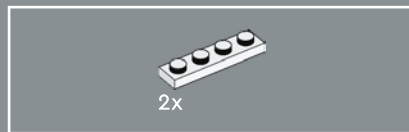
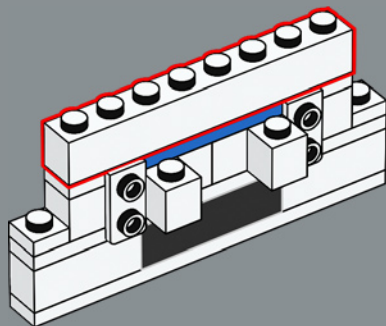




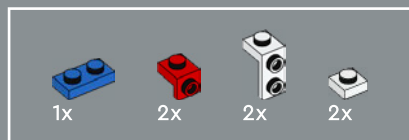
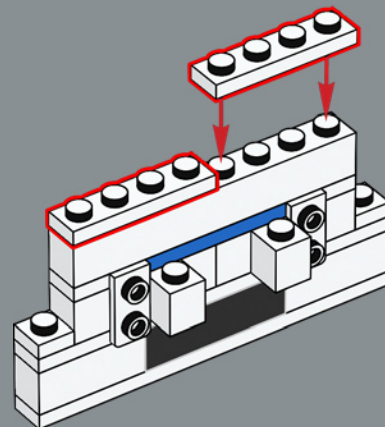
193



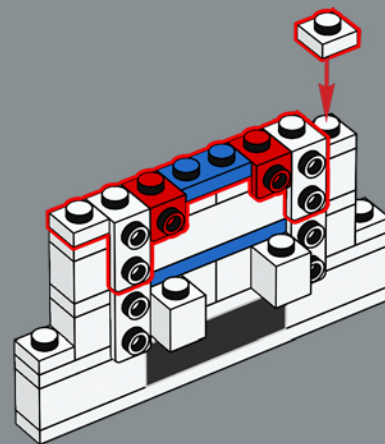
194



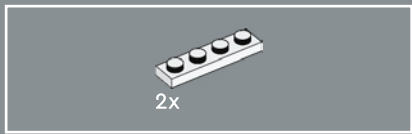
195



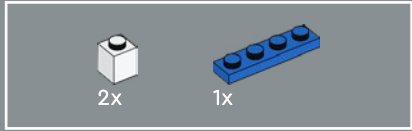
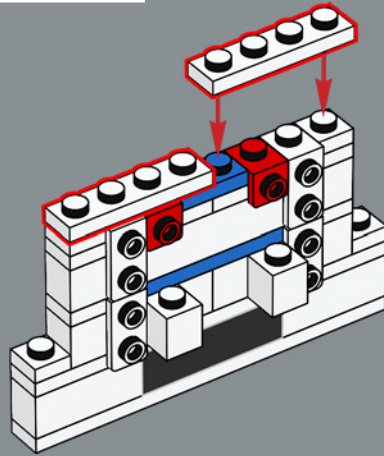
196



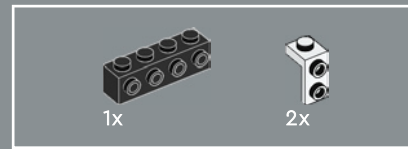
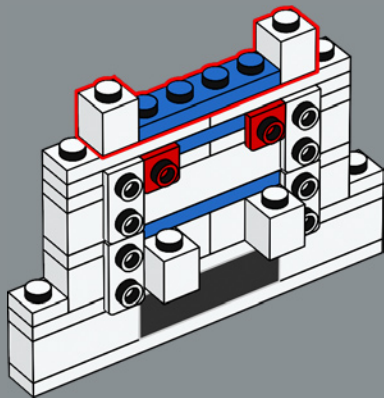




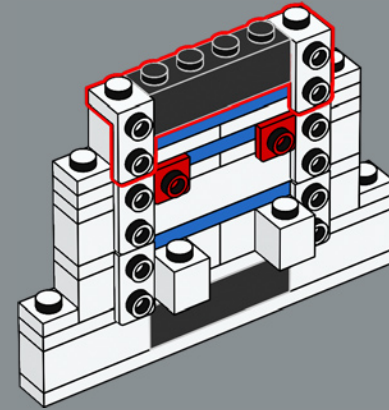
197



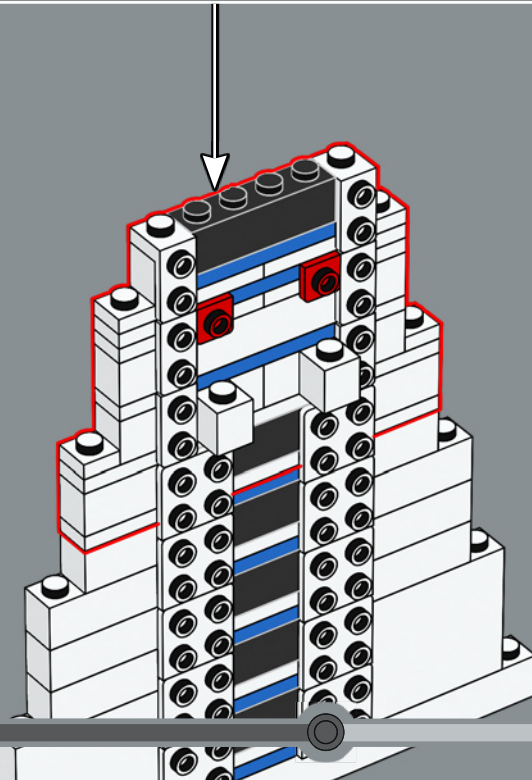
198

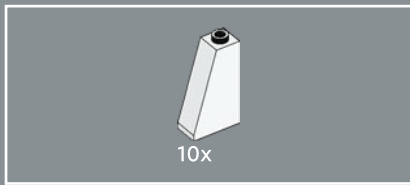


199

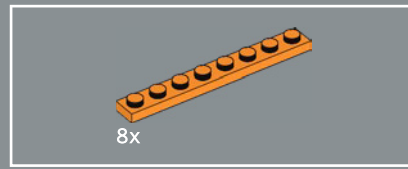
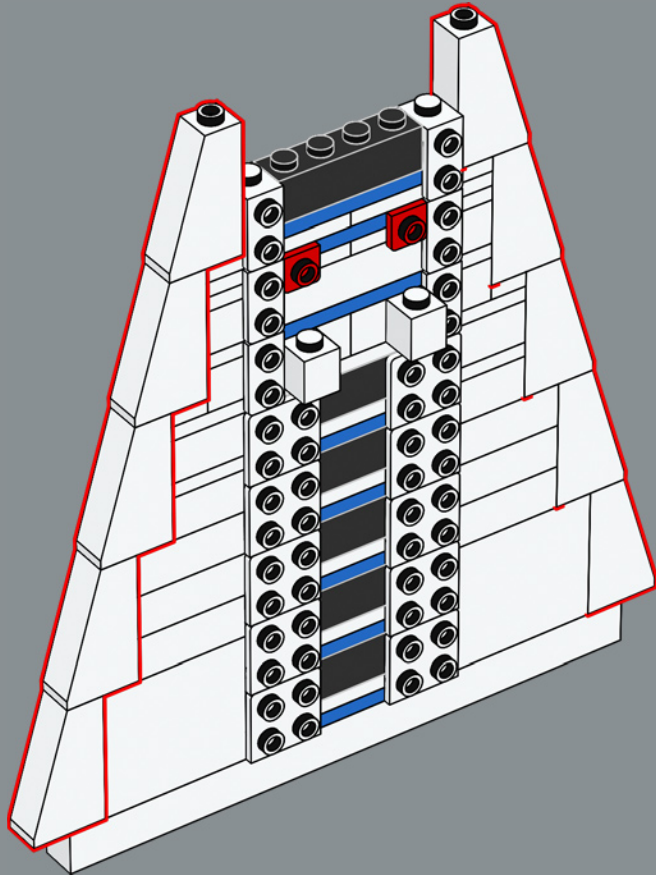


200

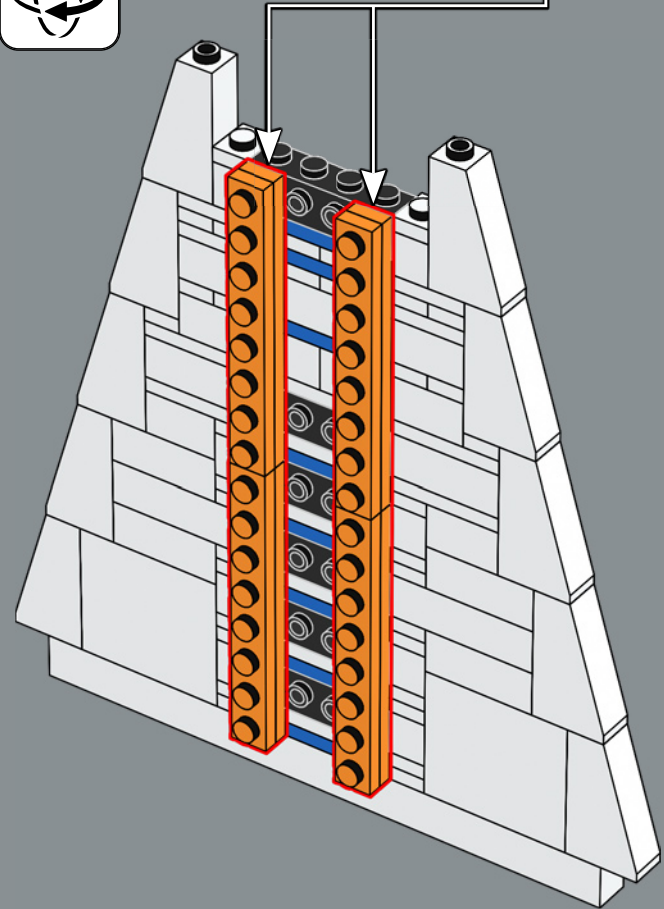
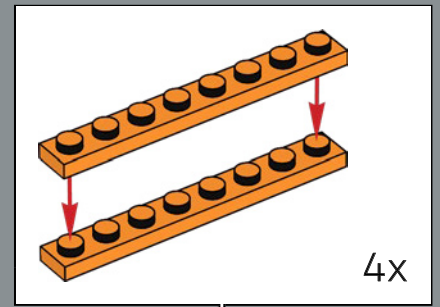


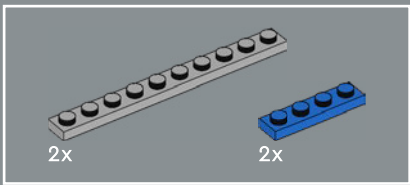


201

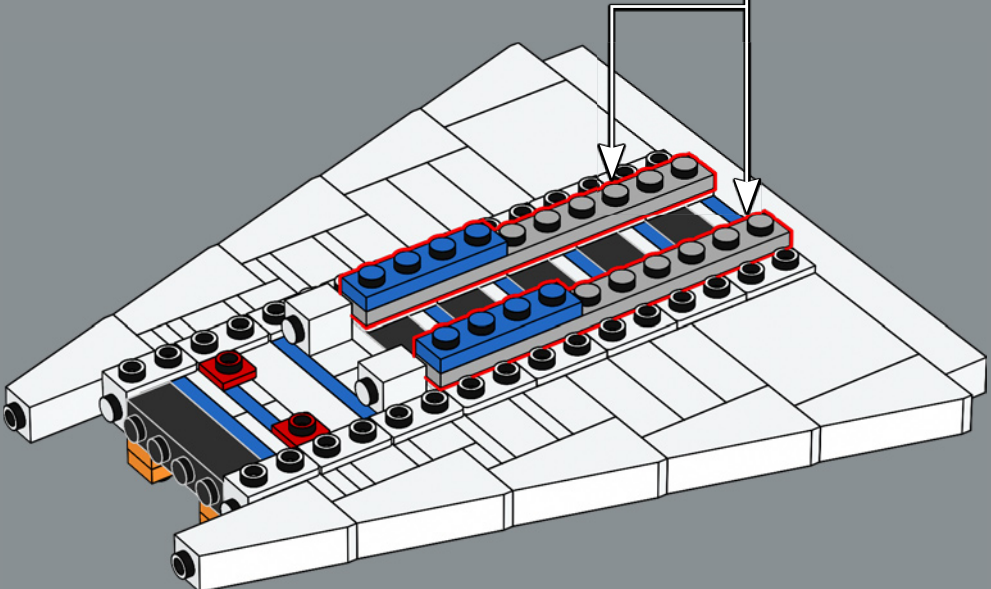
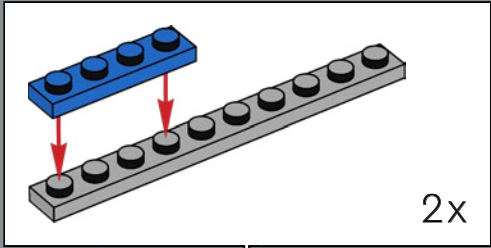


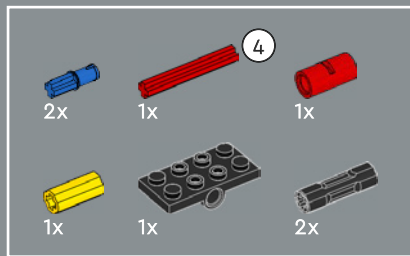
202



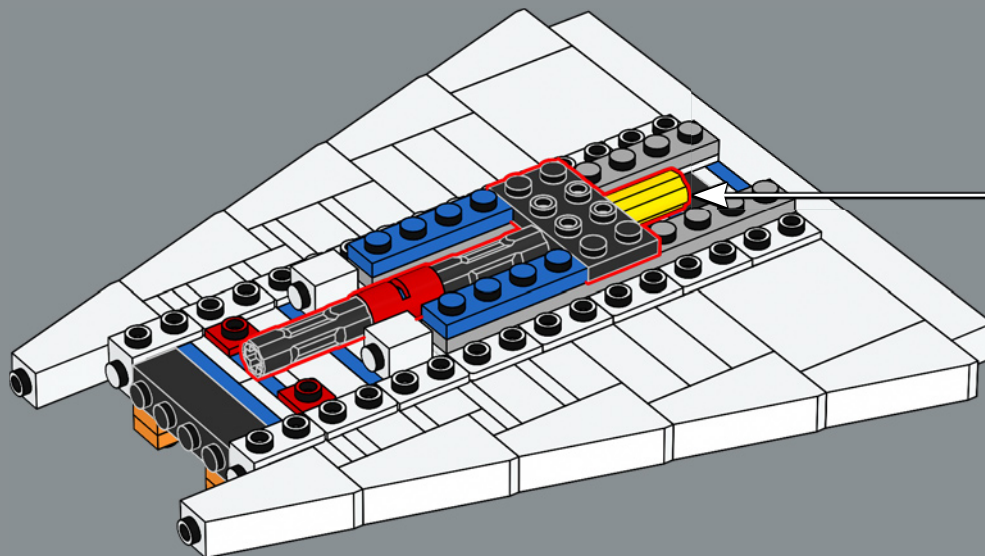
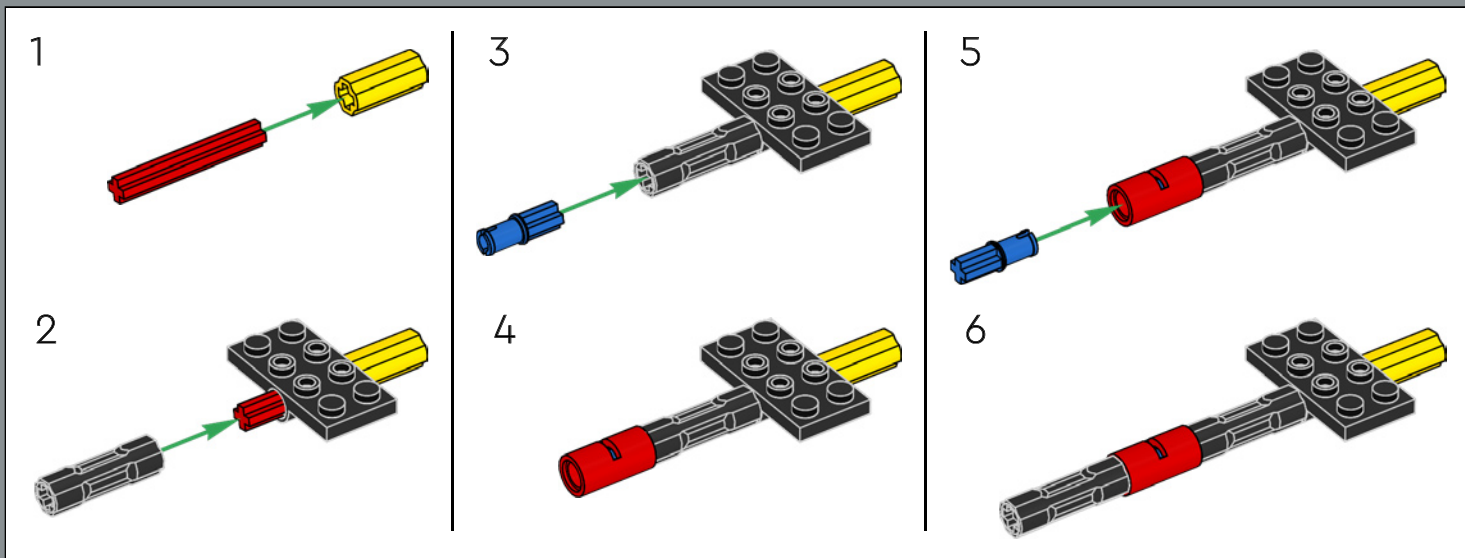


203

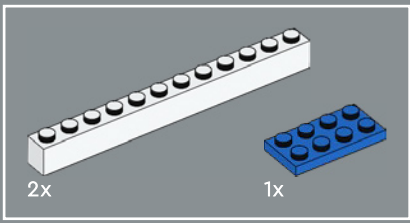




204

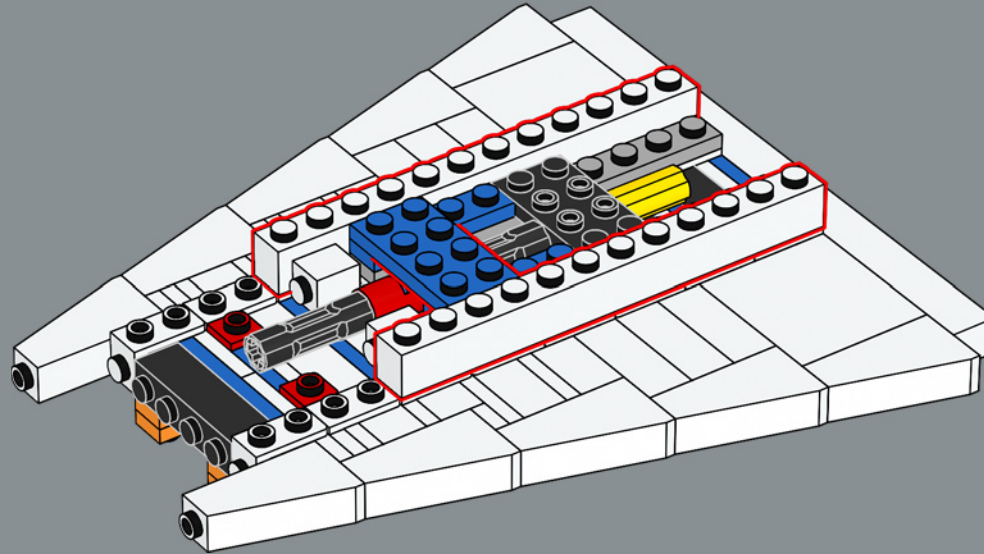


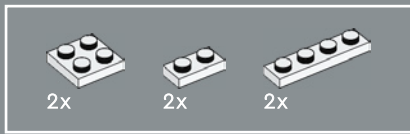




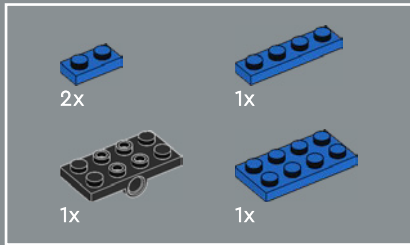
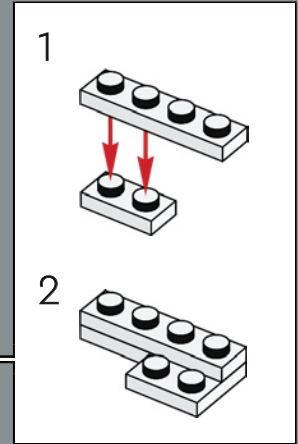
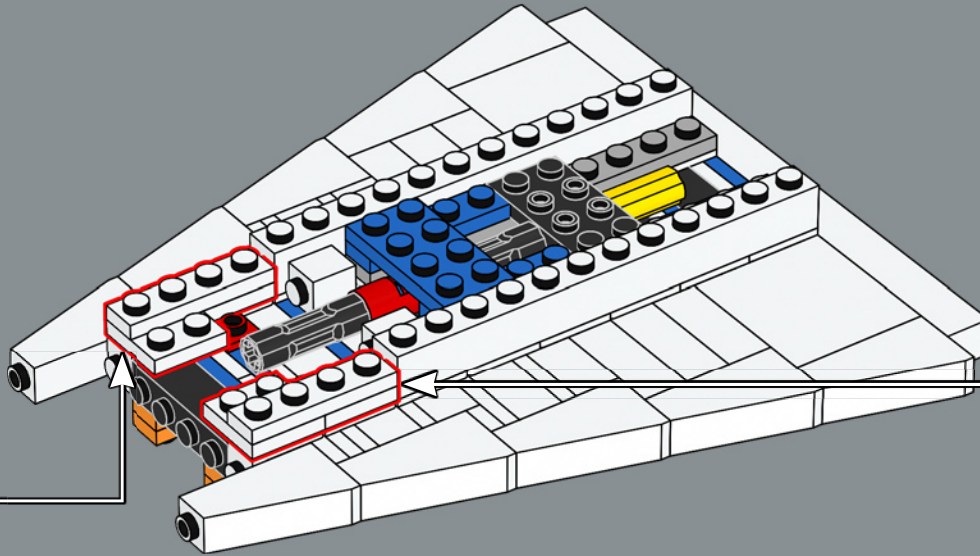
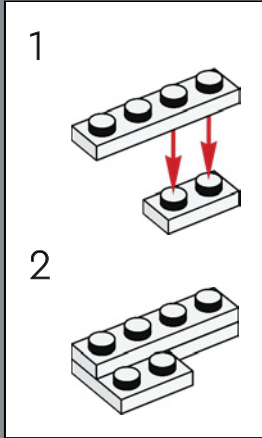
This clutch was an elegant solution to ensuring that the forward and rear landing gear remain synchronised when your model comes in for landing!

205

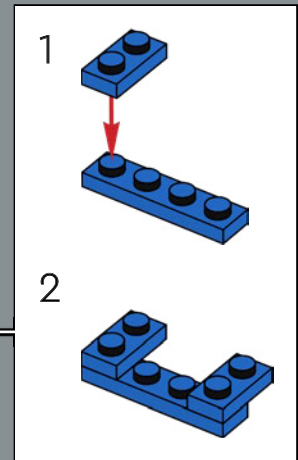
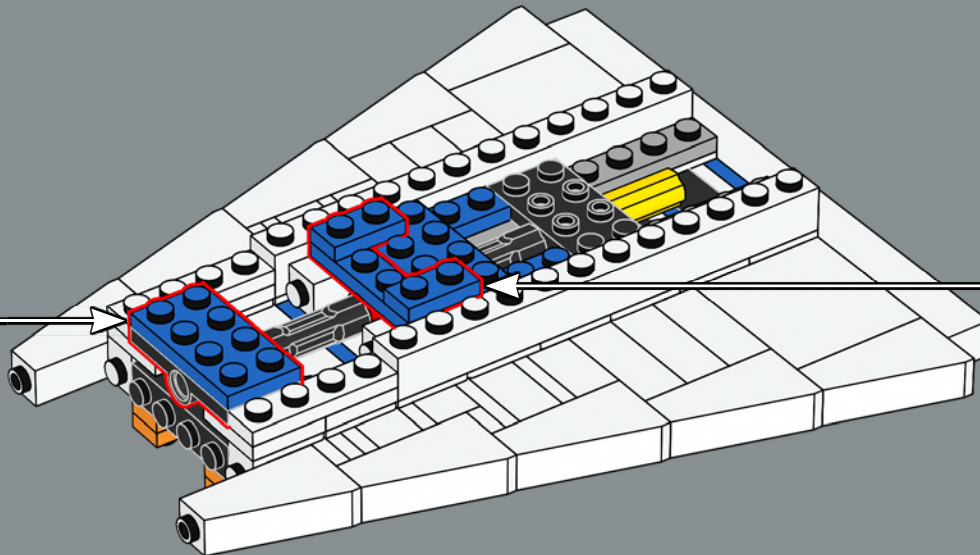
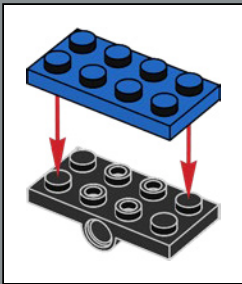


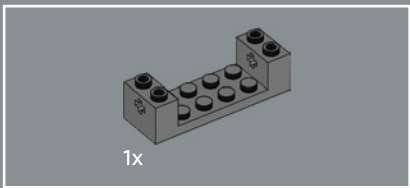


206

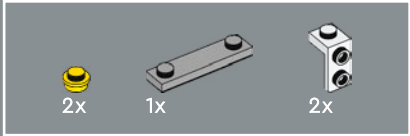
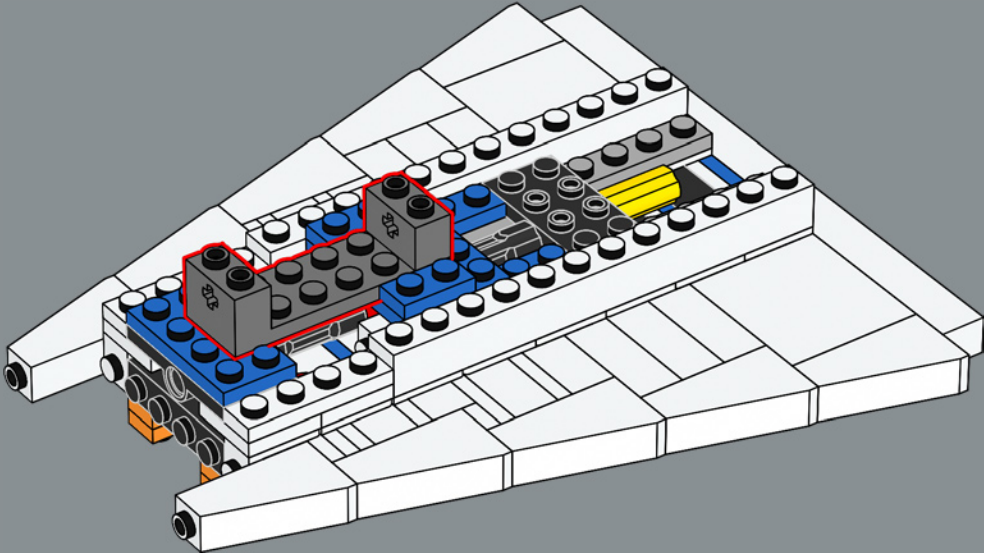


207

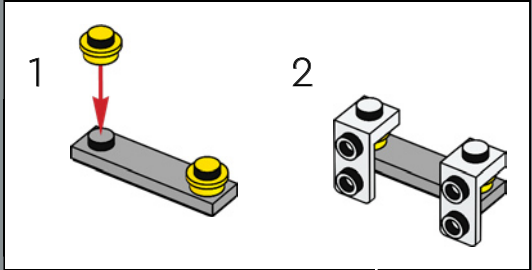
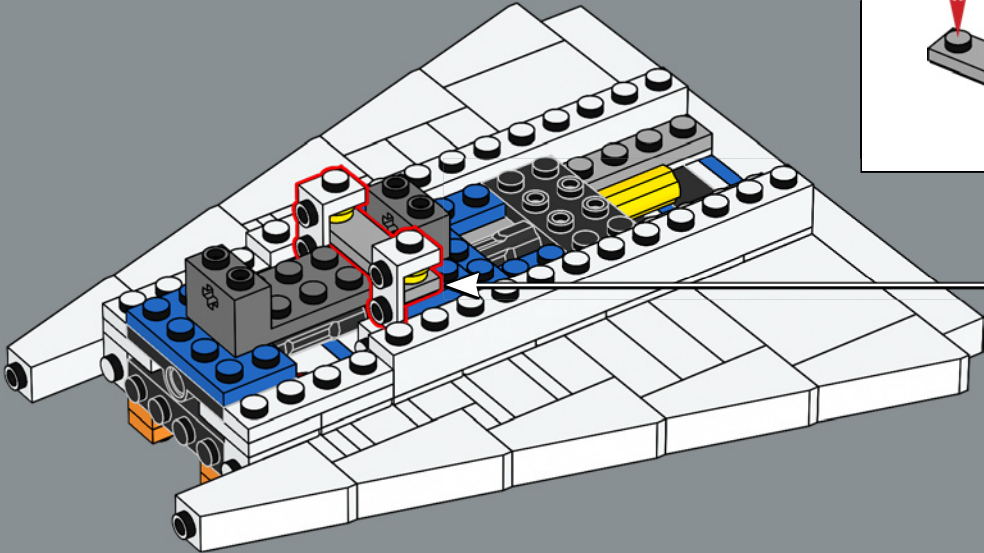


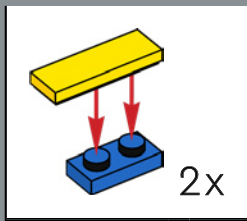
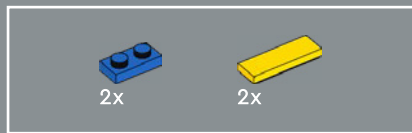


208

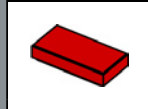
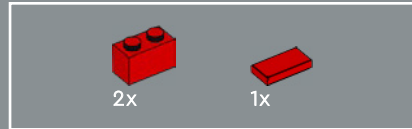
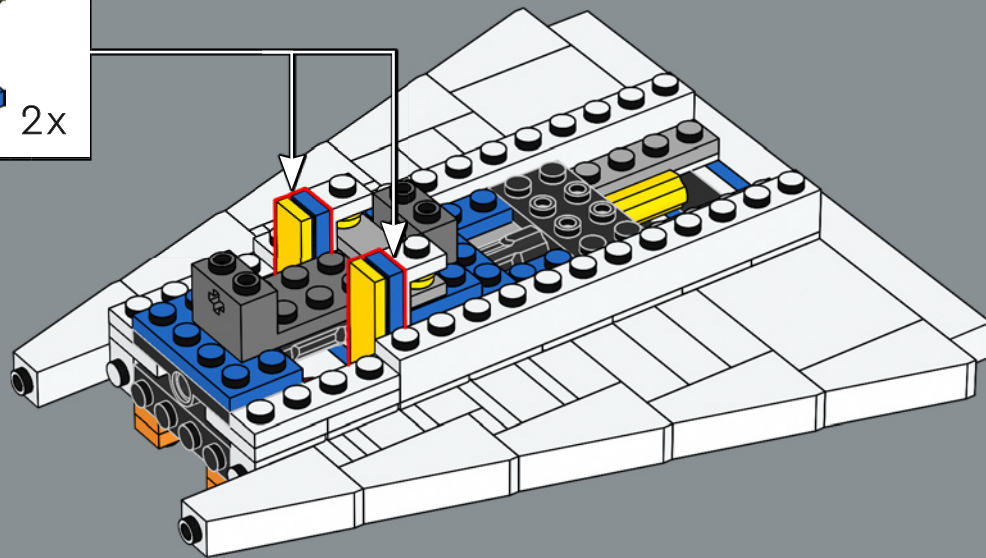


209

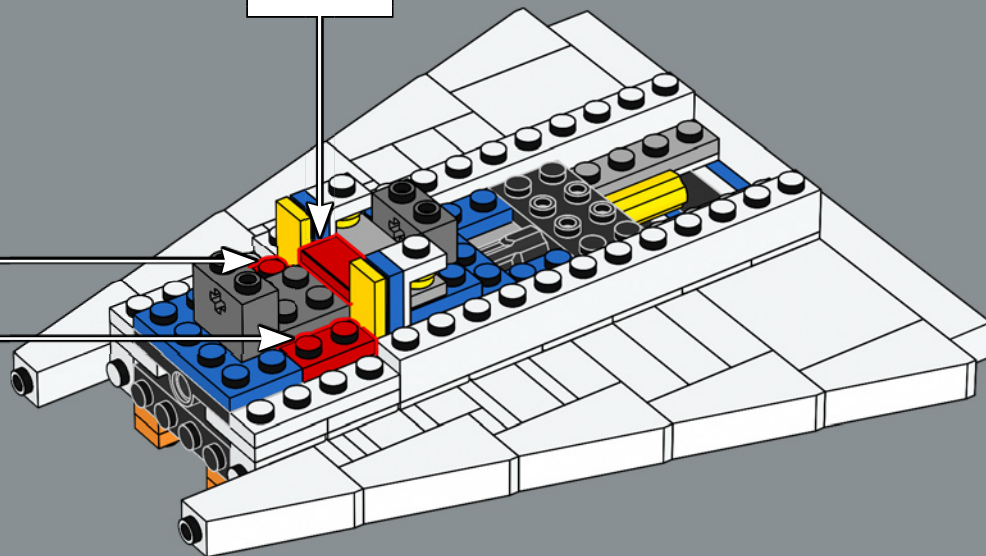
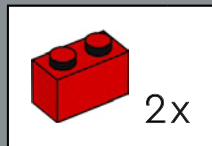




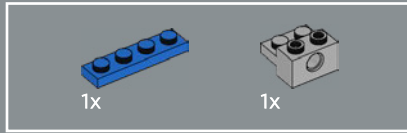
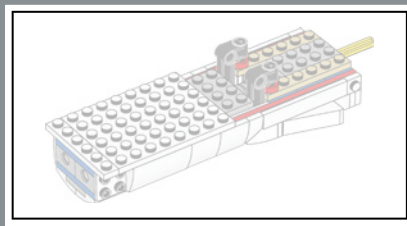
210



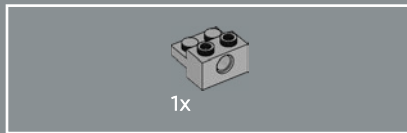
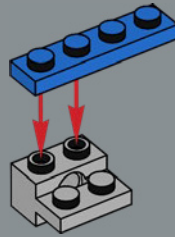
211



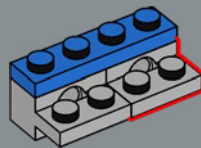




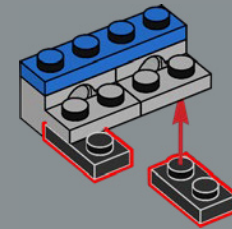
212



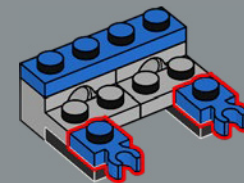
213

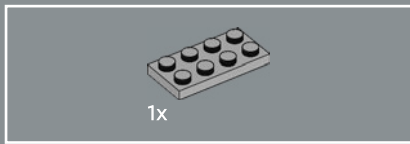


214

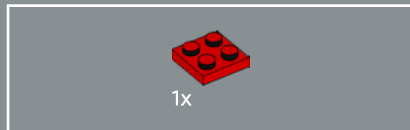
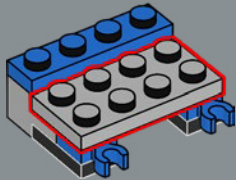


215

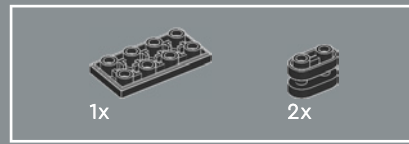
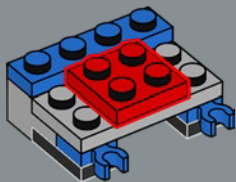




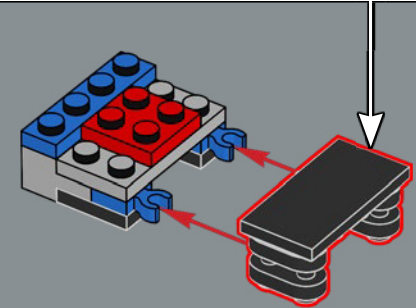
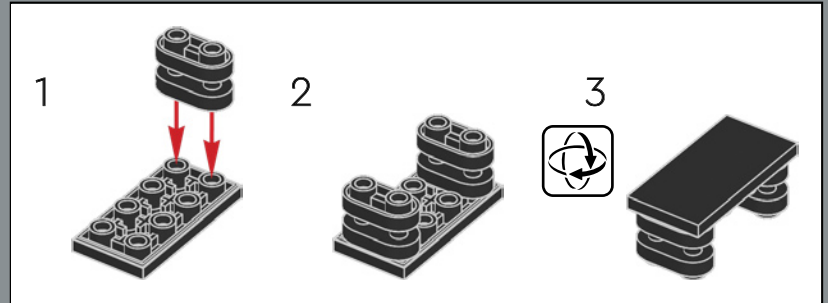
216

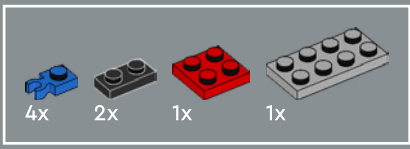


217

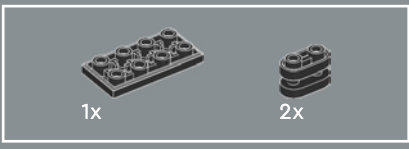
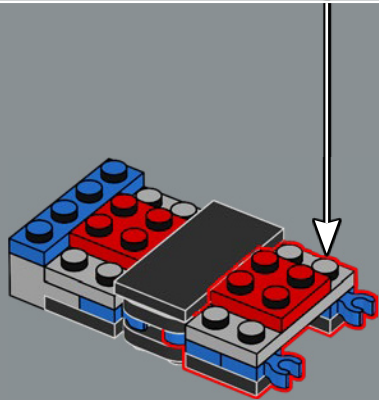
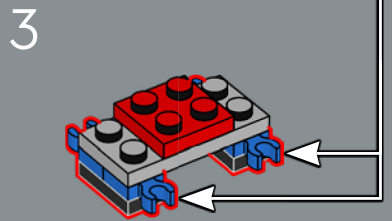
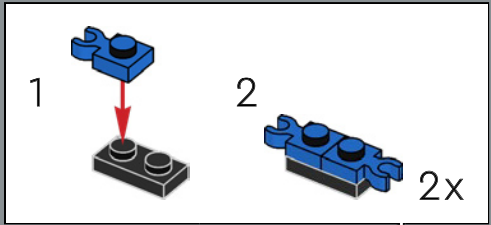
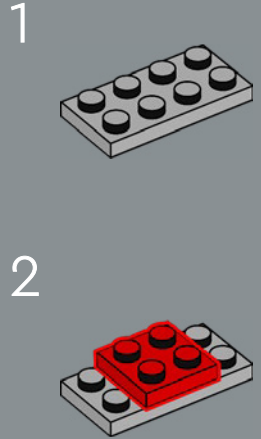


218

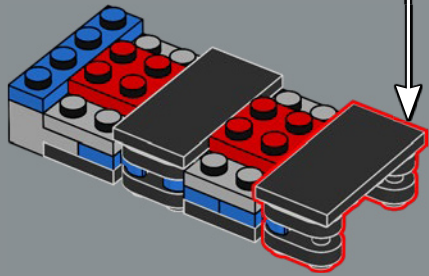
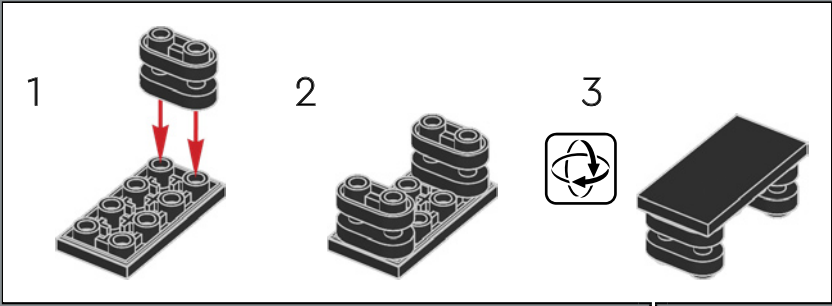


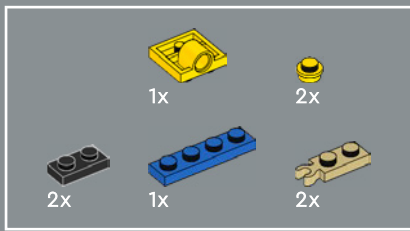


# 219

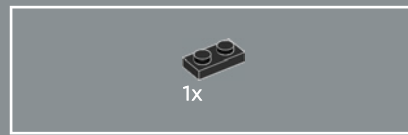
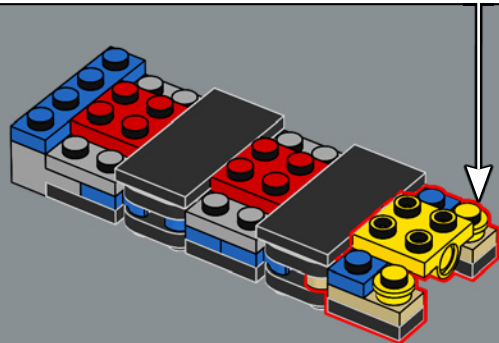
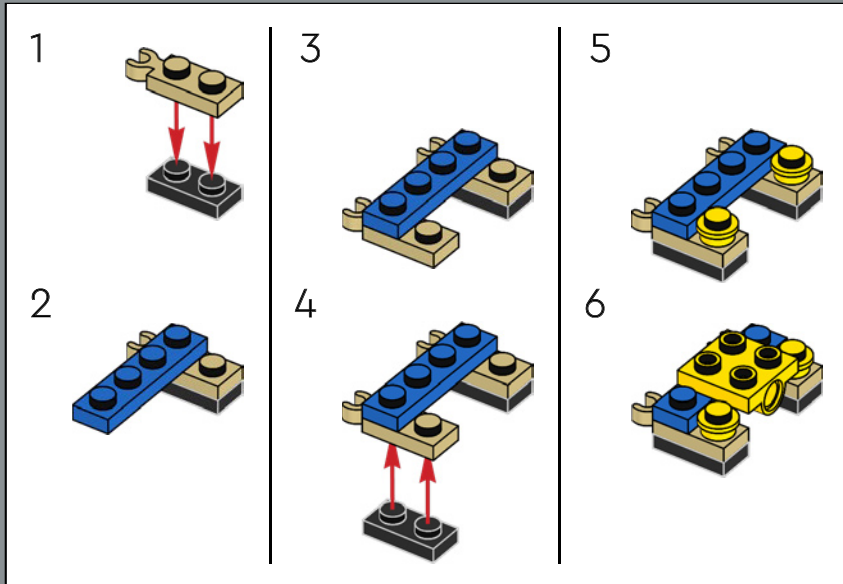


# 220

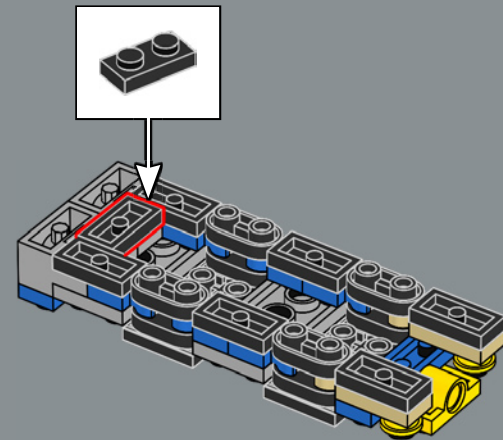




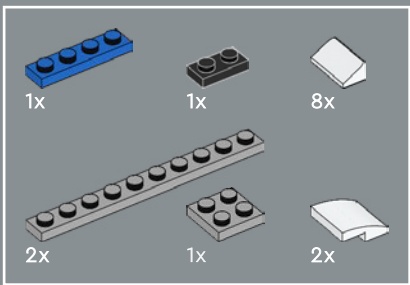
221



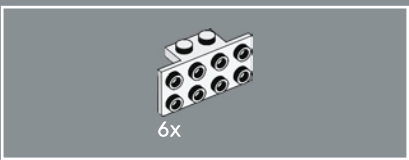
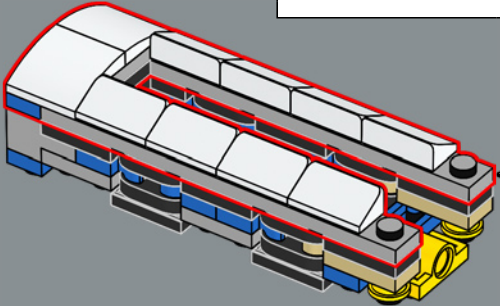
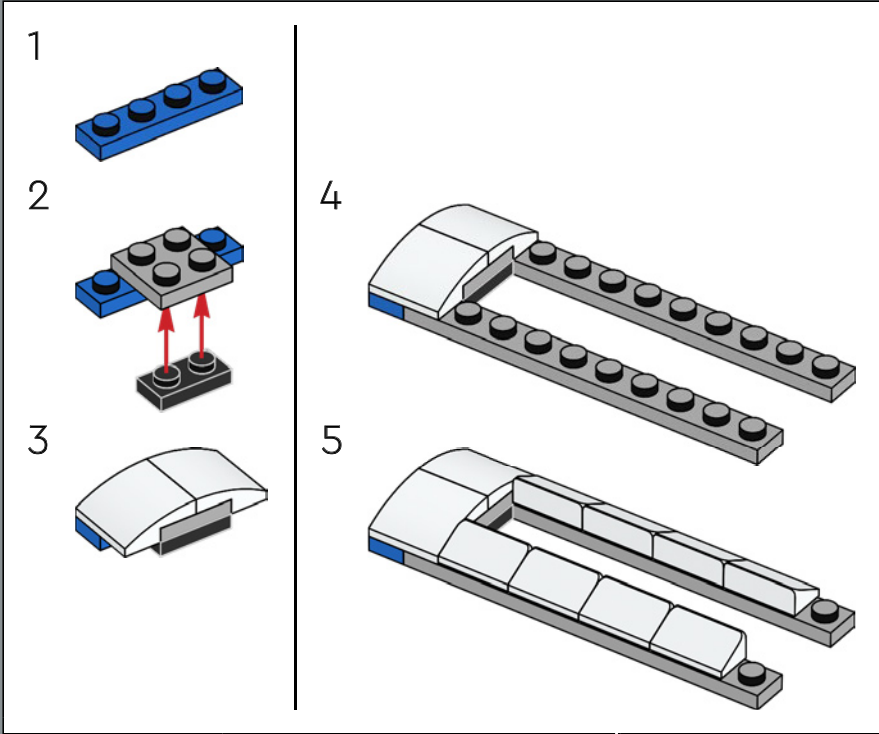
222



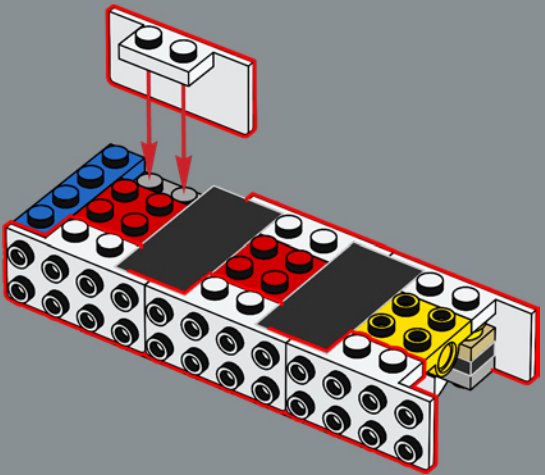


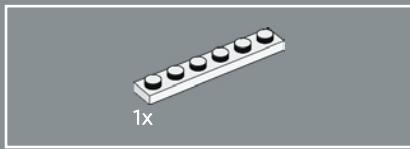


223

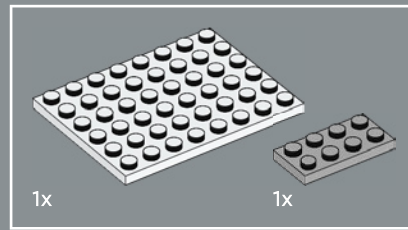
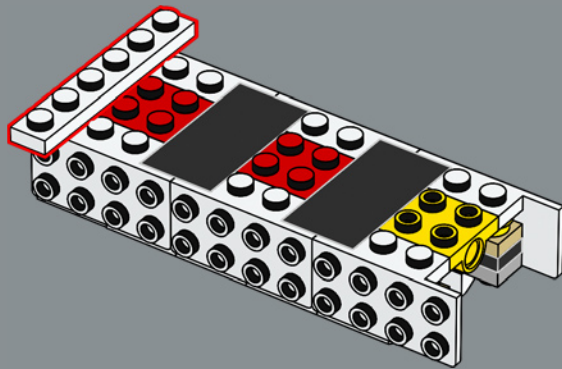


224

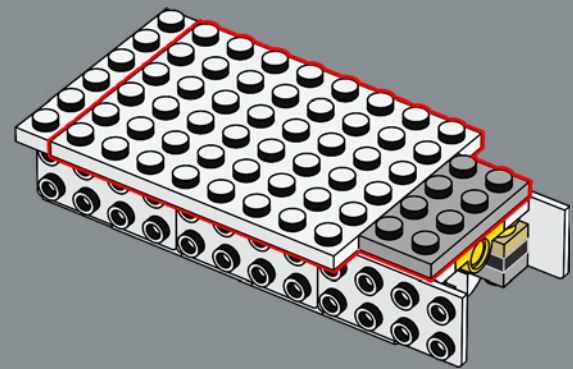


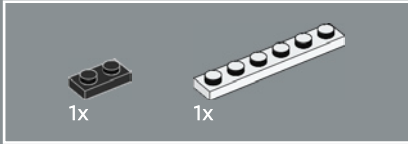
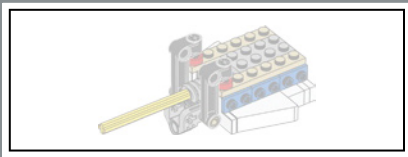


225

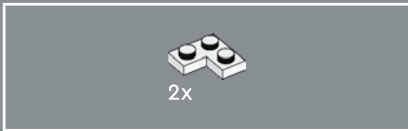
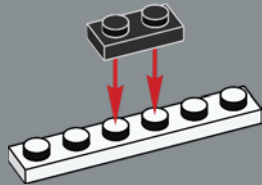


226

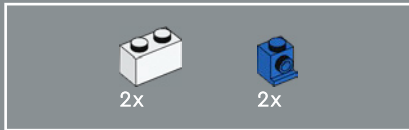
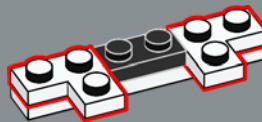




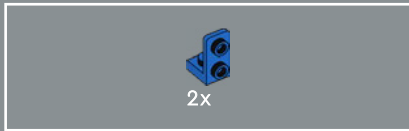
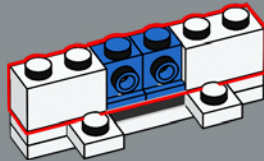
227



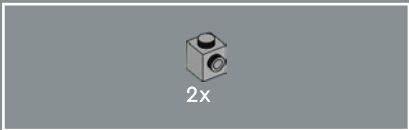
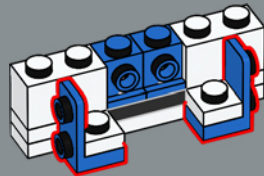
228



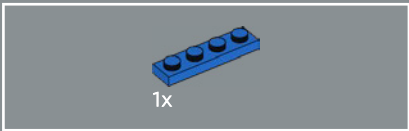
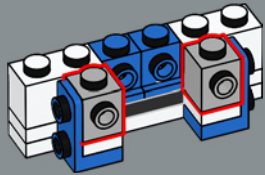
229



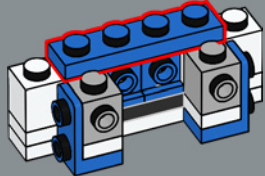
230

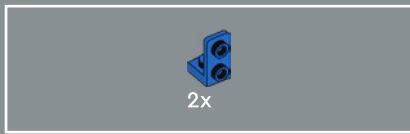


231

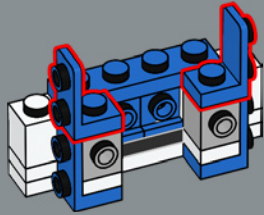


232

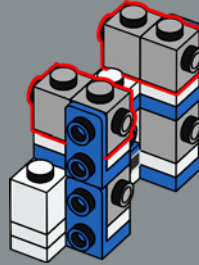




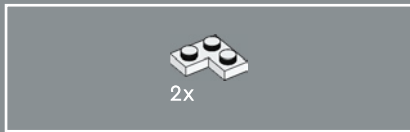
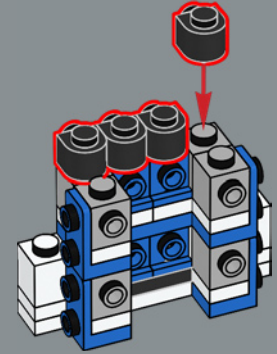
233



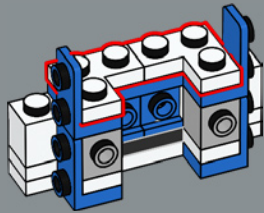
235



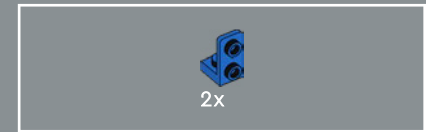
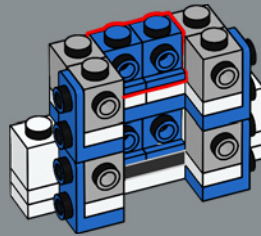
237



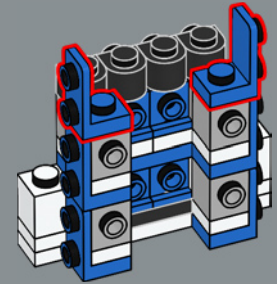
234



236



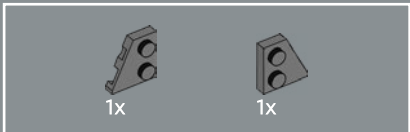
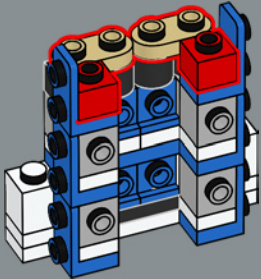
238



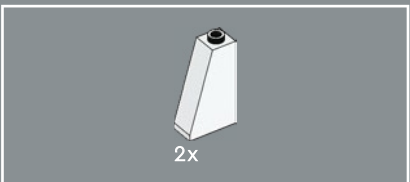
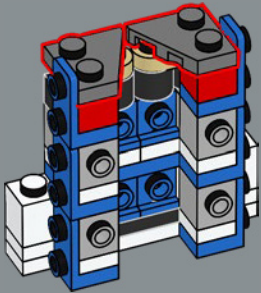




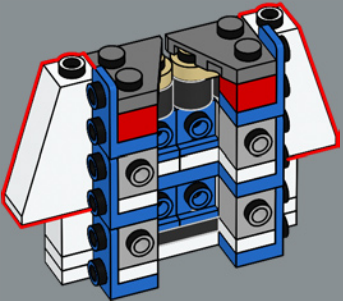
239



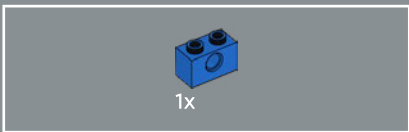
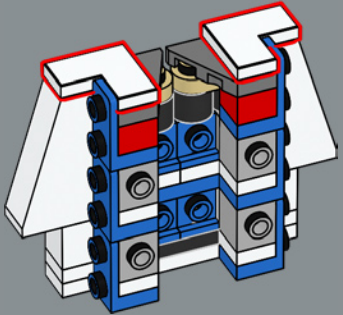
240



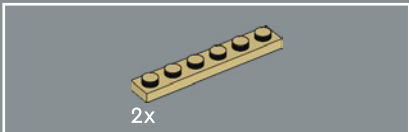
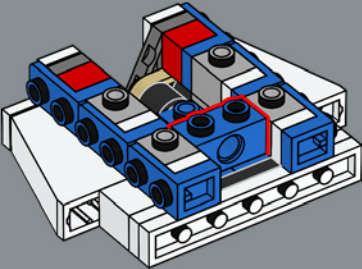
241



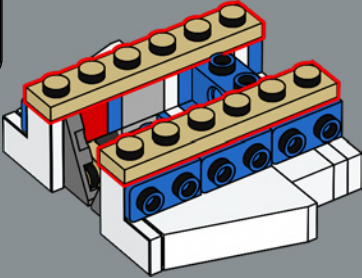
242

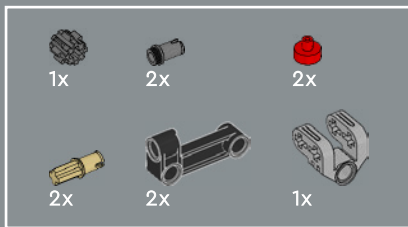


243



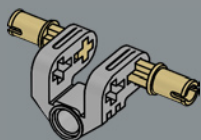
244



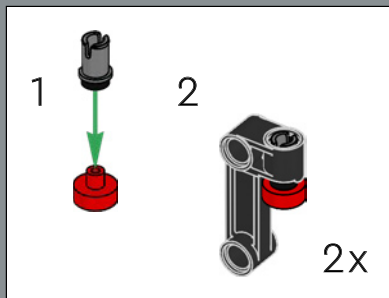
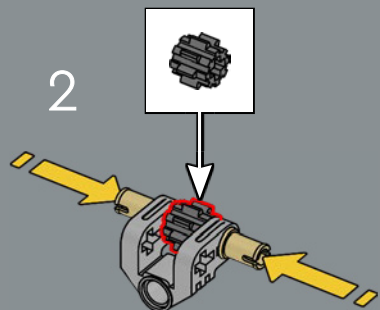


245

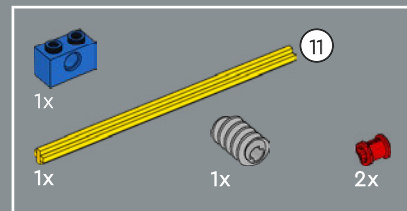
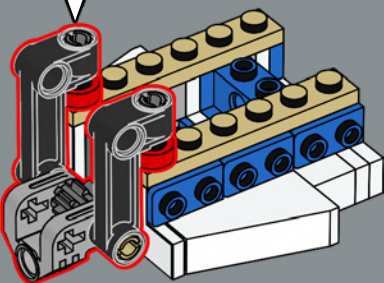
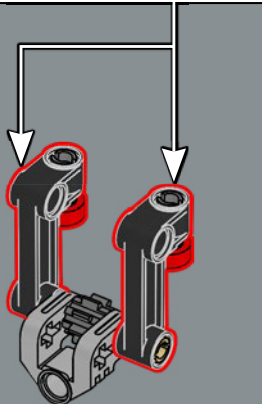
1



2

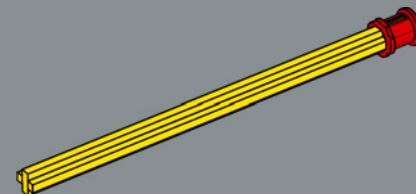


3

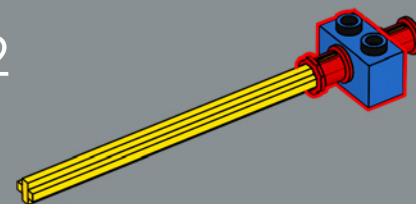


246

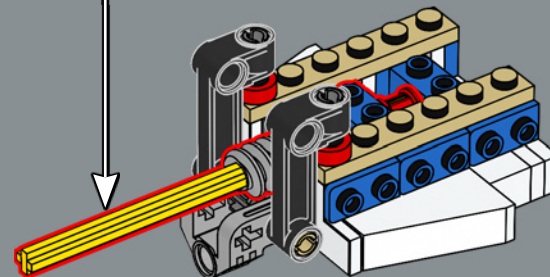
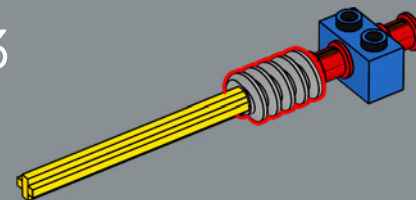
1



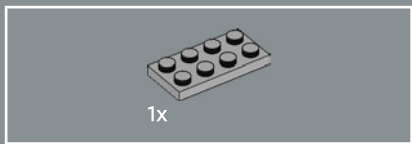
2



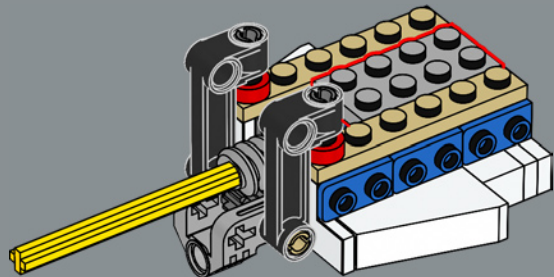
3



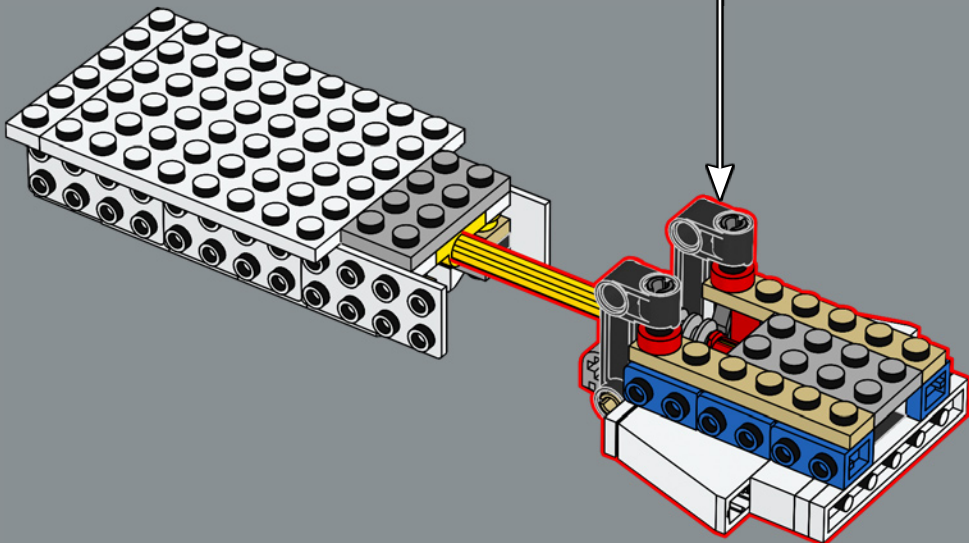
11 1:1



247

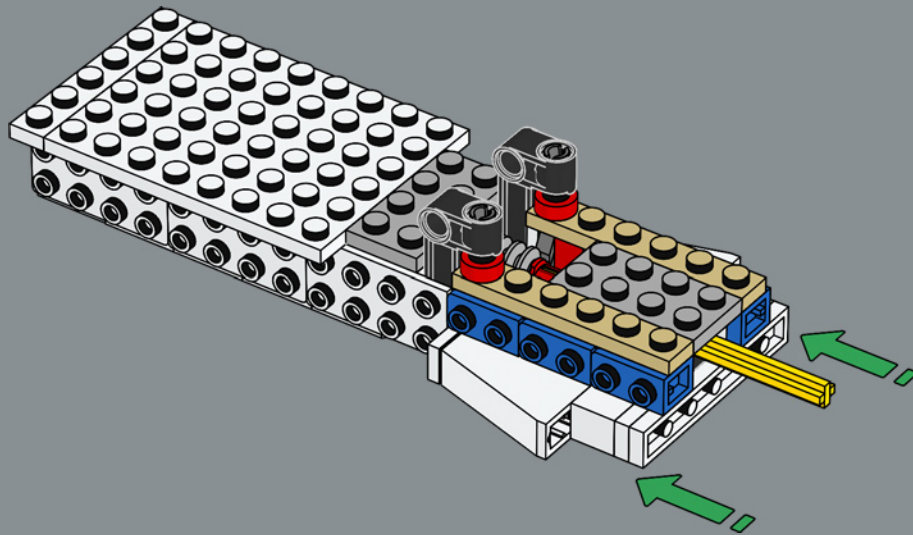


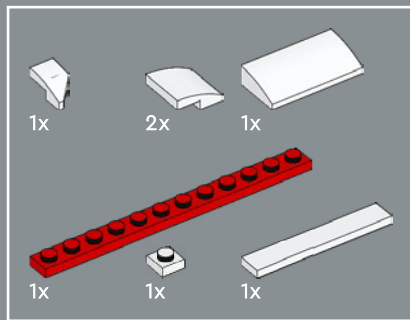
248



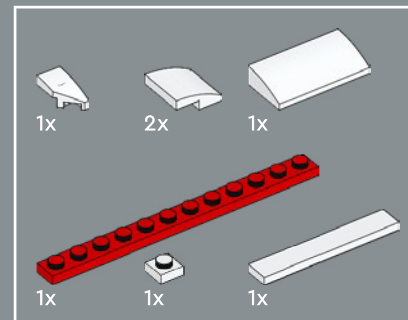
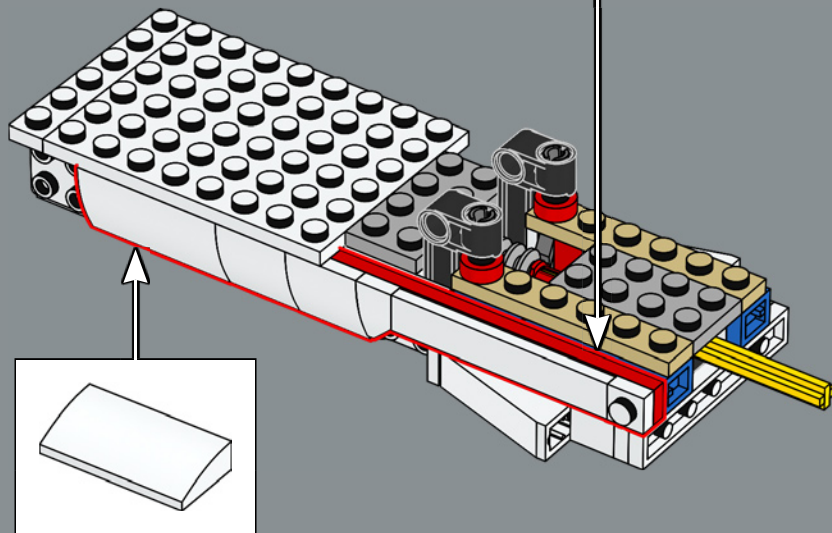
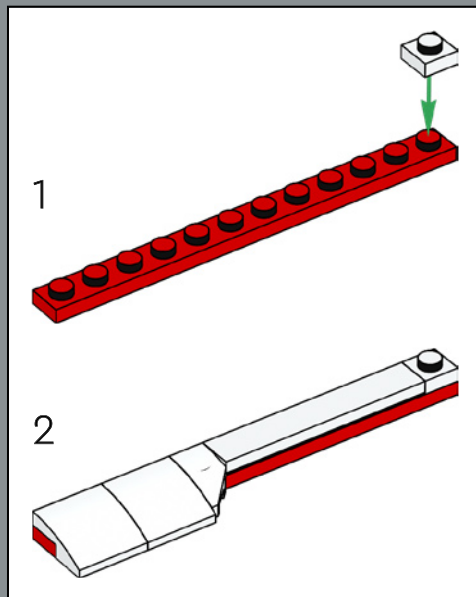
The forward wheel well accommodates the nose landing gear. Concorde's landing gear was longer than most to ensure that the engines, set far back on the delta wing, would clear the ground during take-off and landing.

249

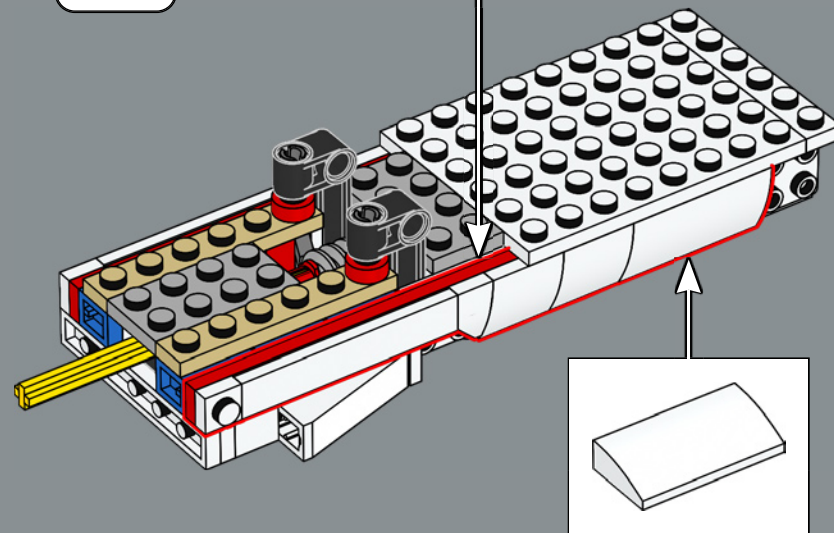
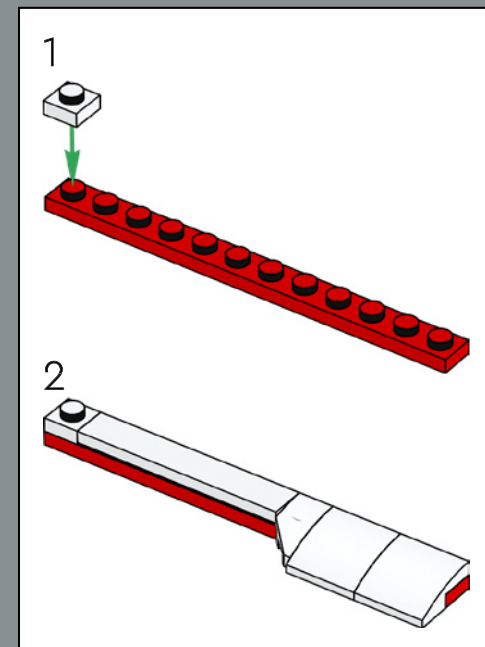




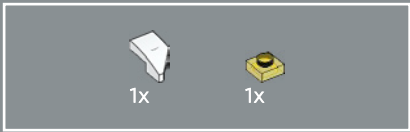
250



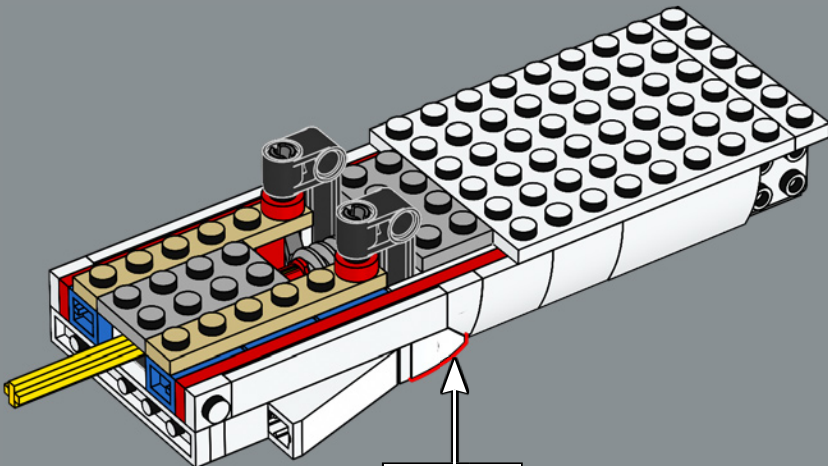
251



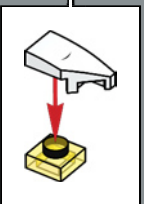
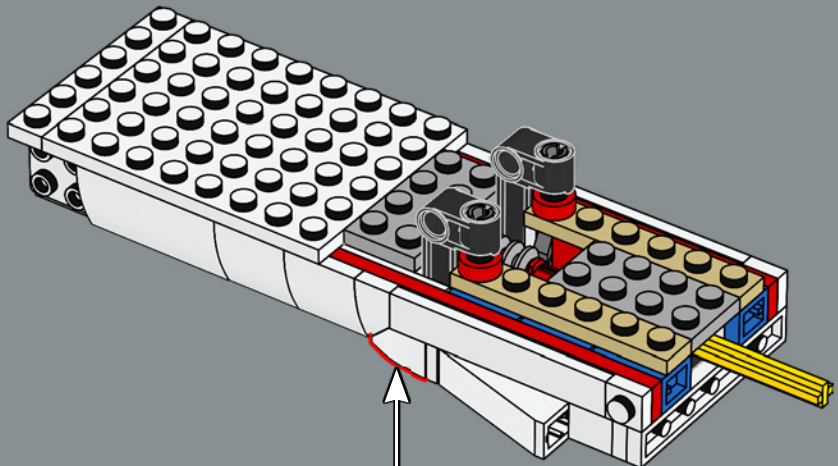




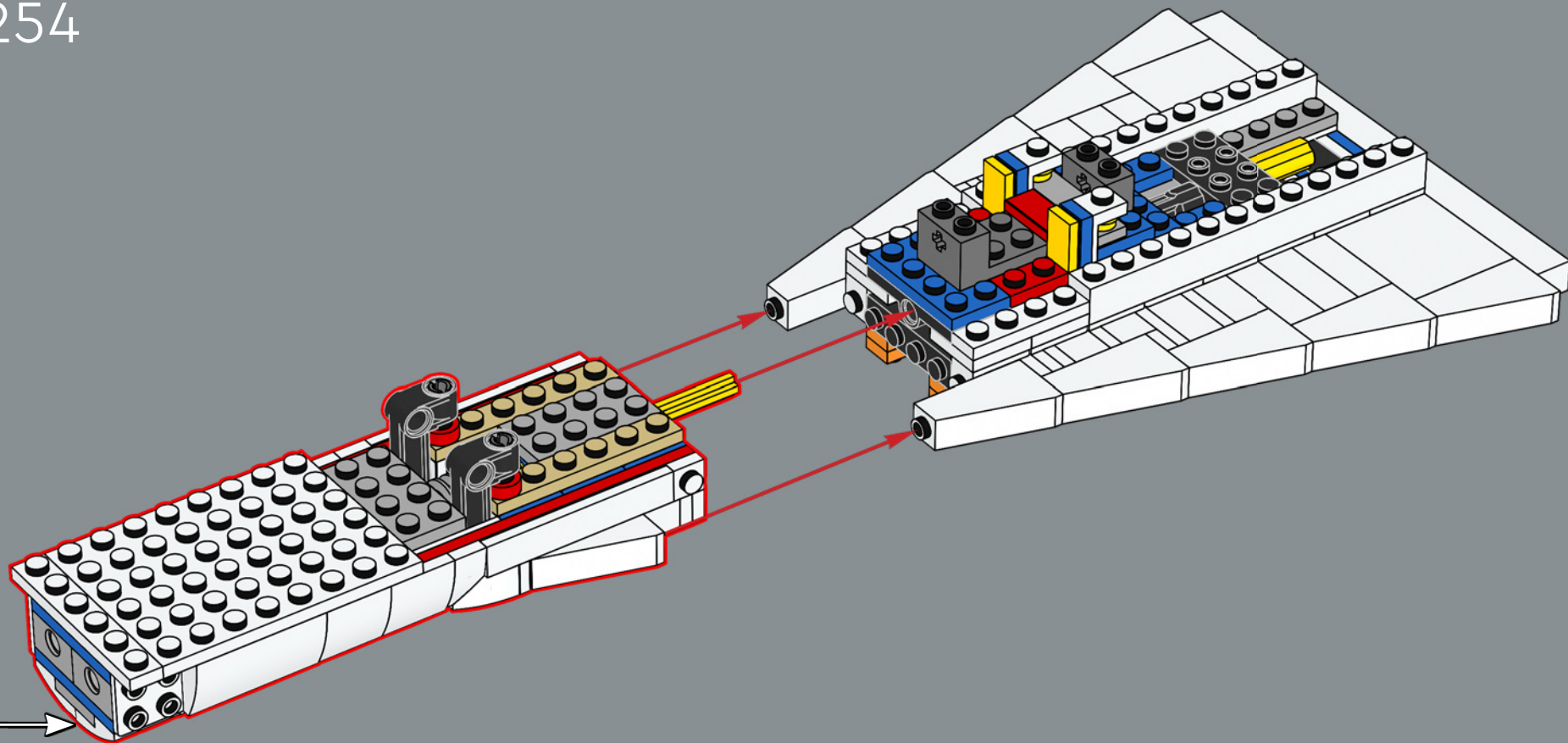
252

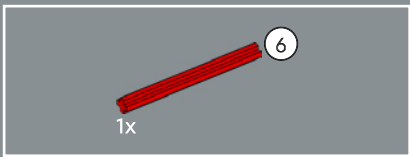


253

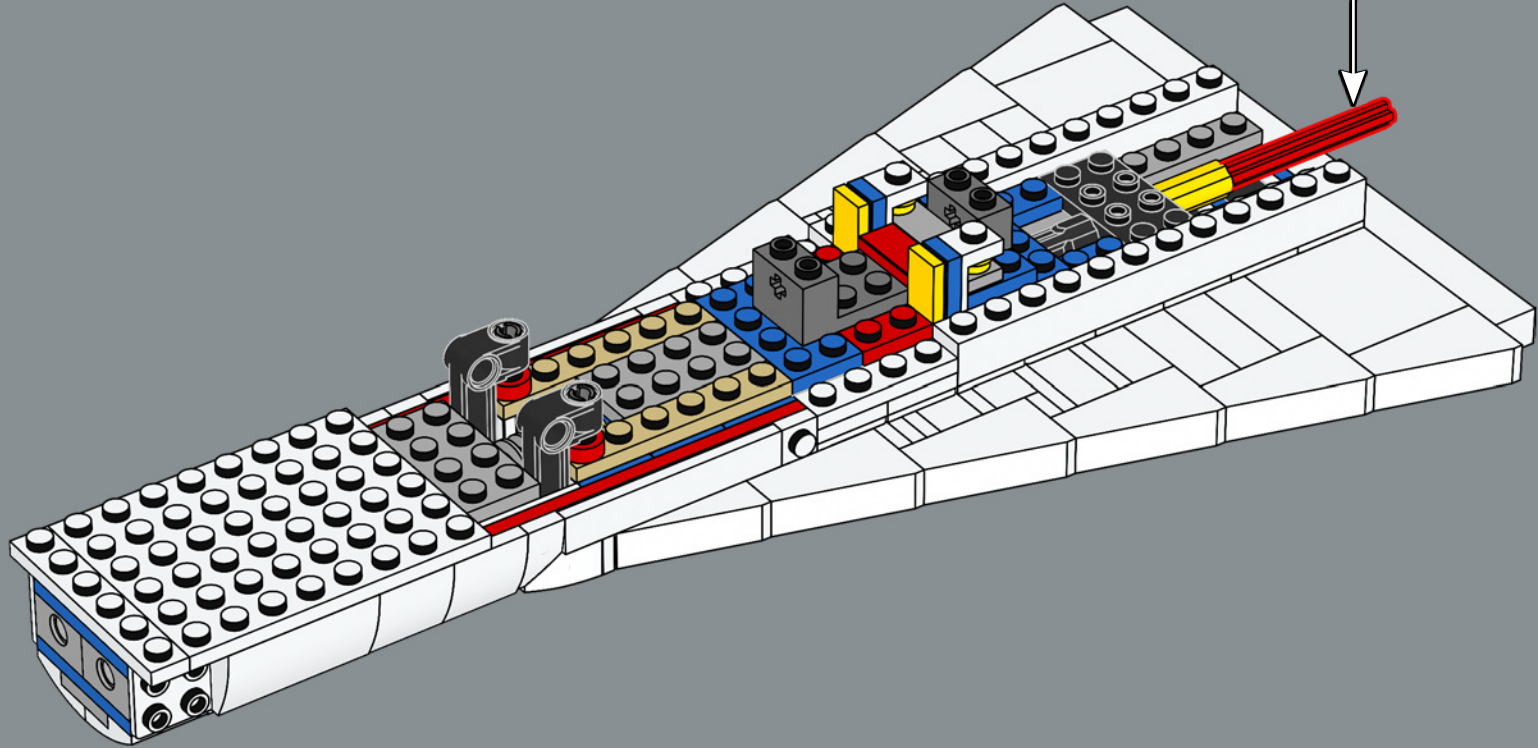
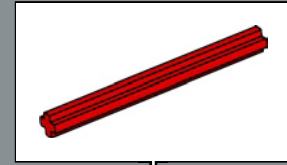


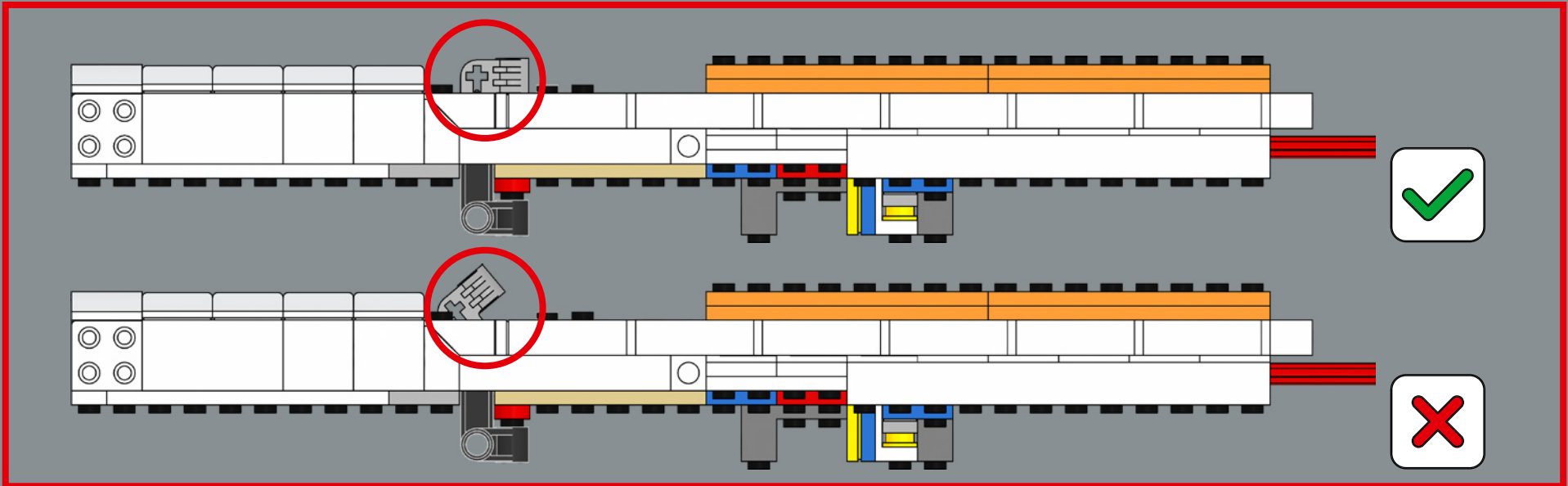
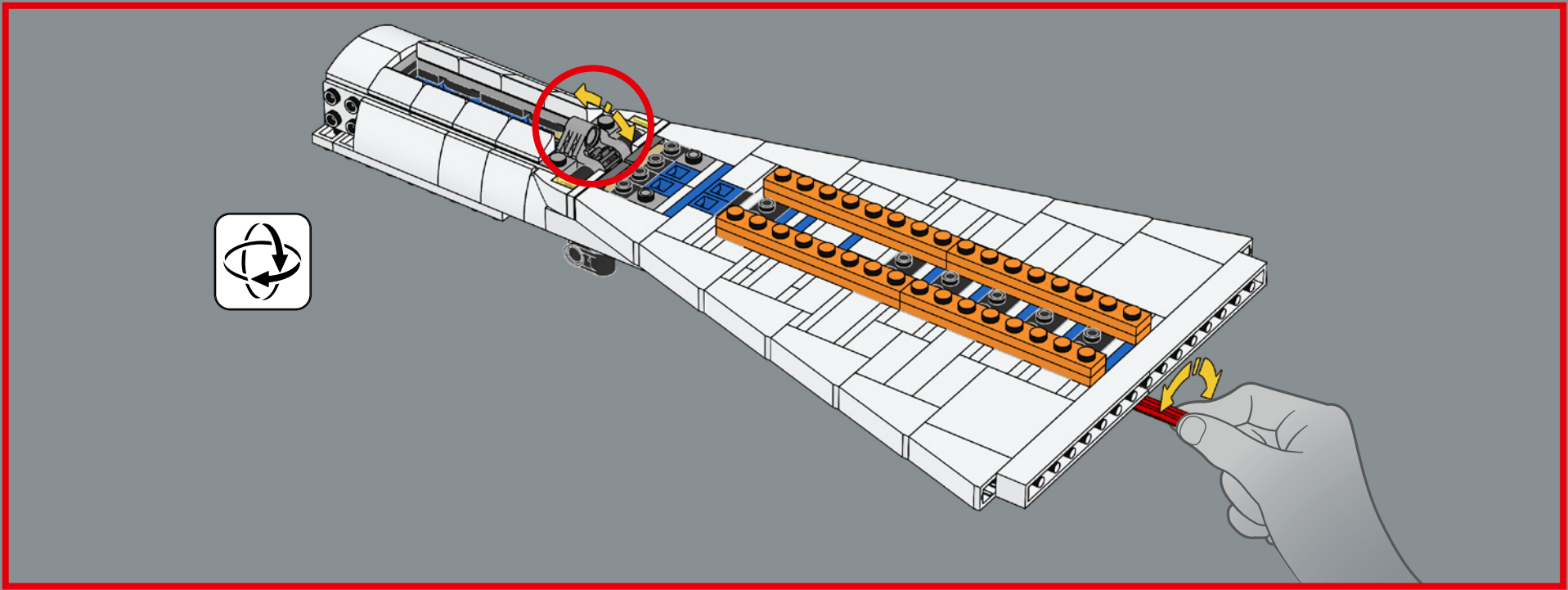
254



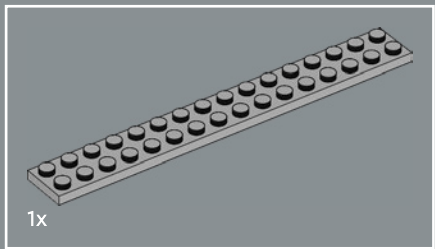


255



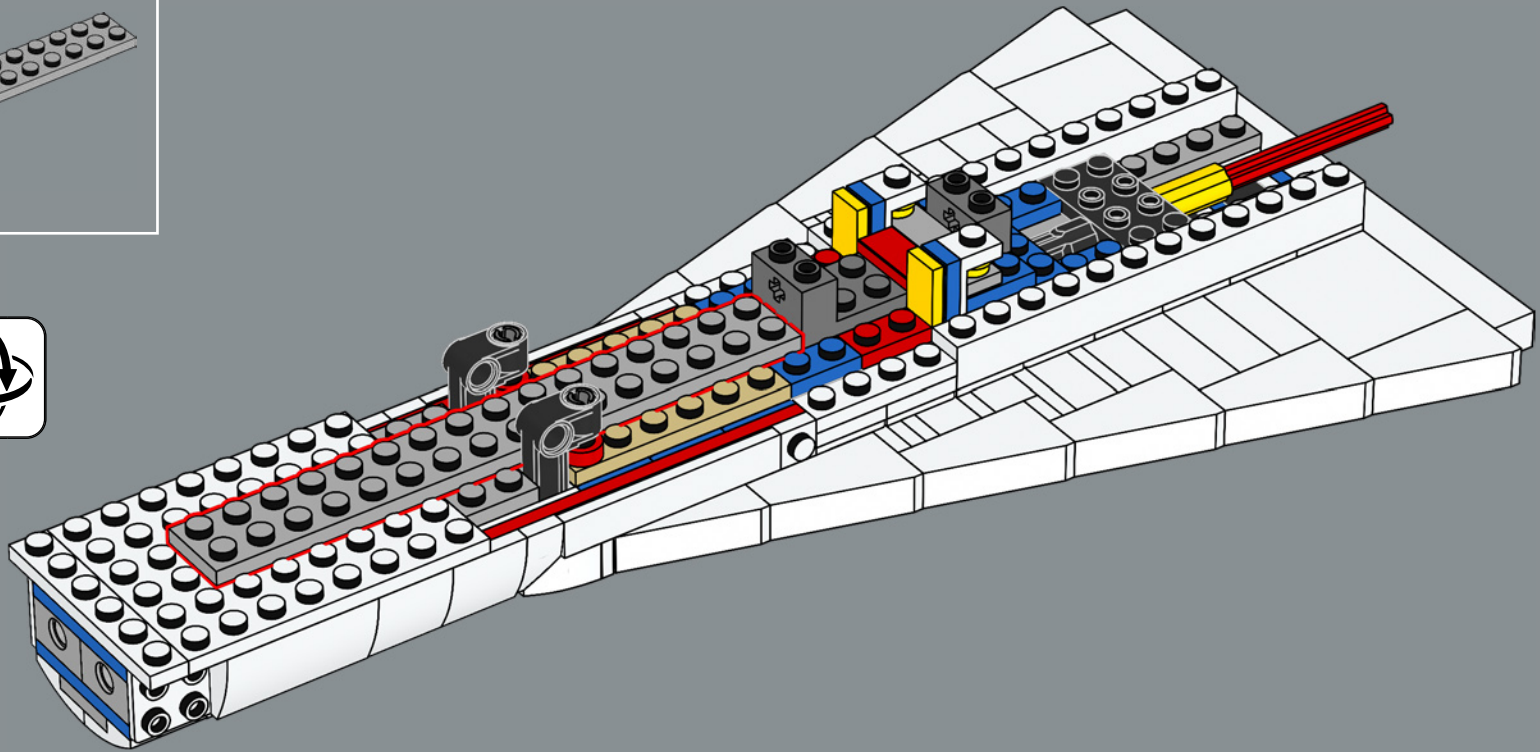


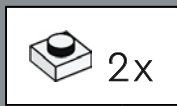
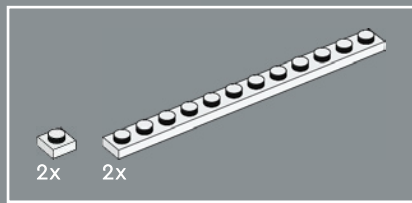




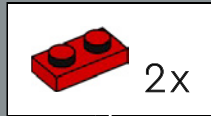
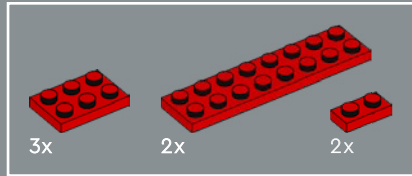
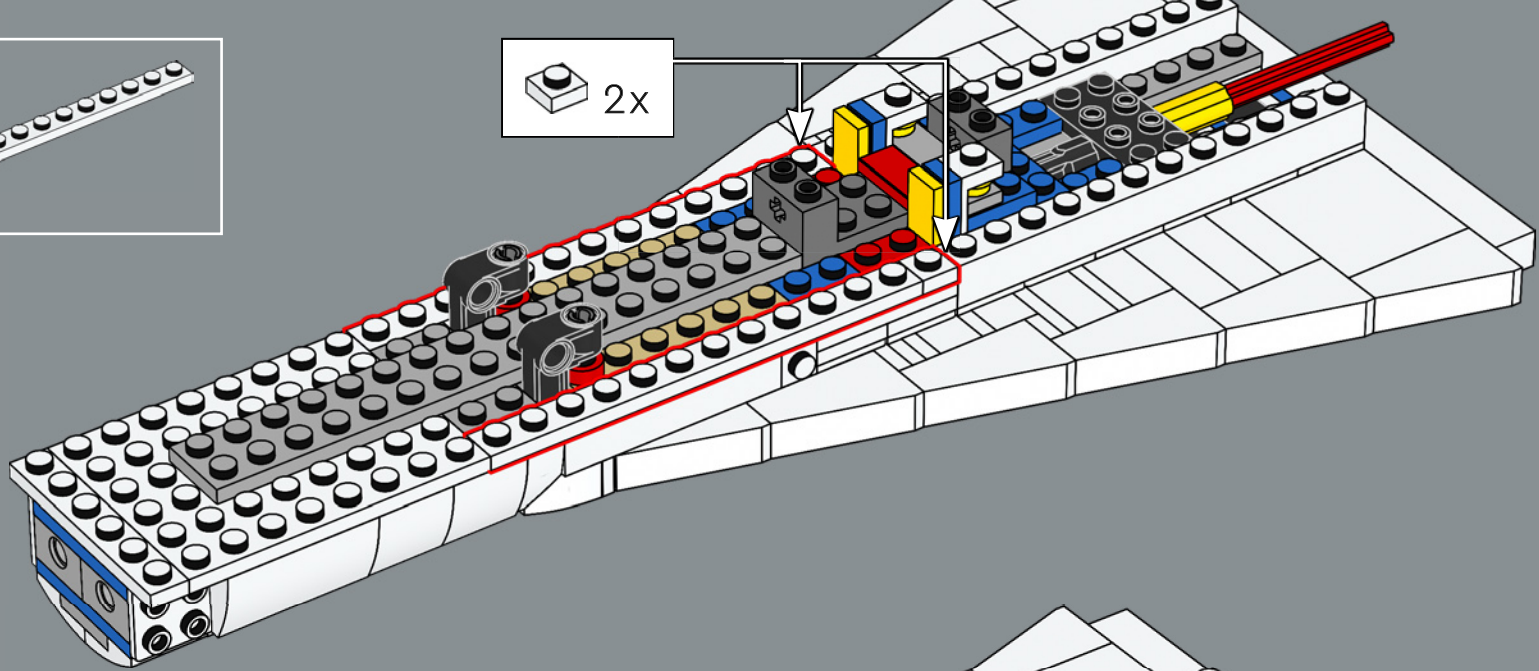
1x

256

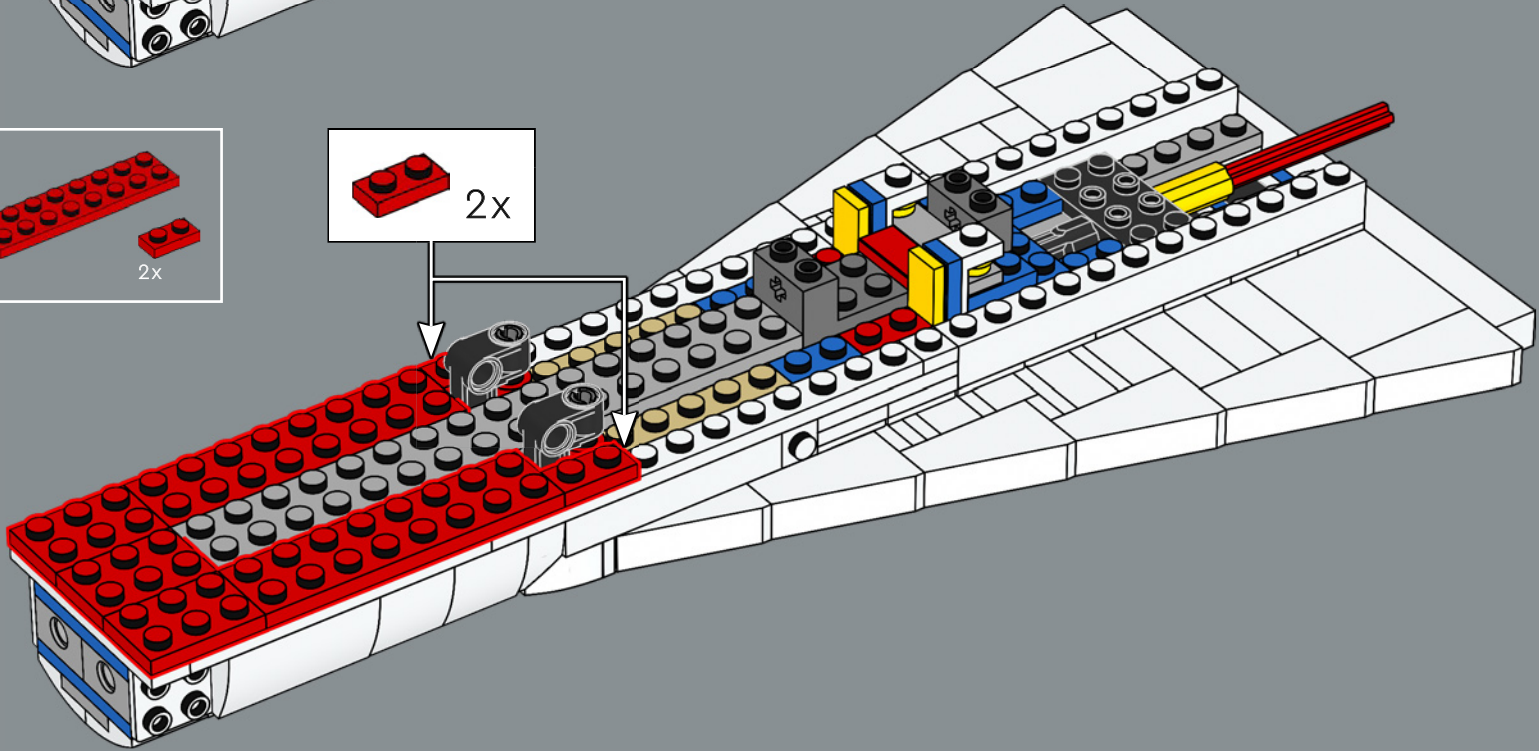


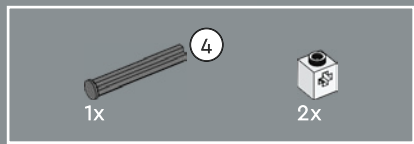


257

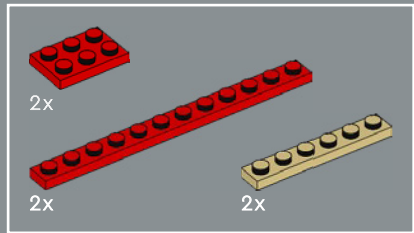
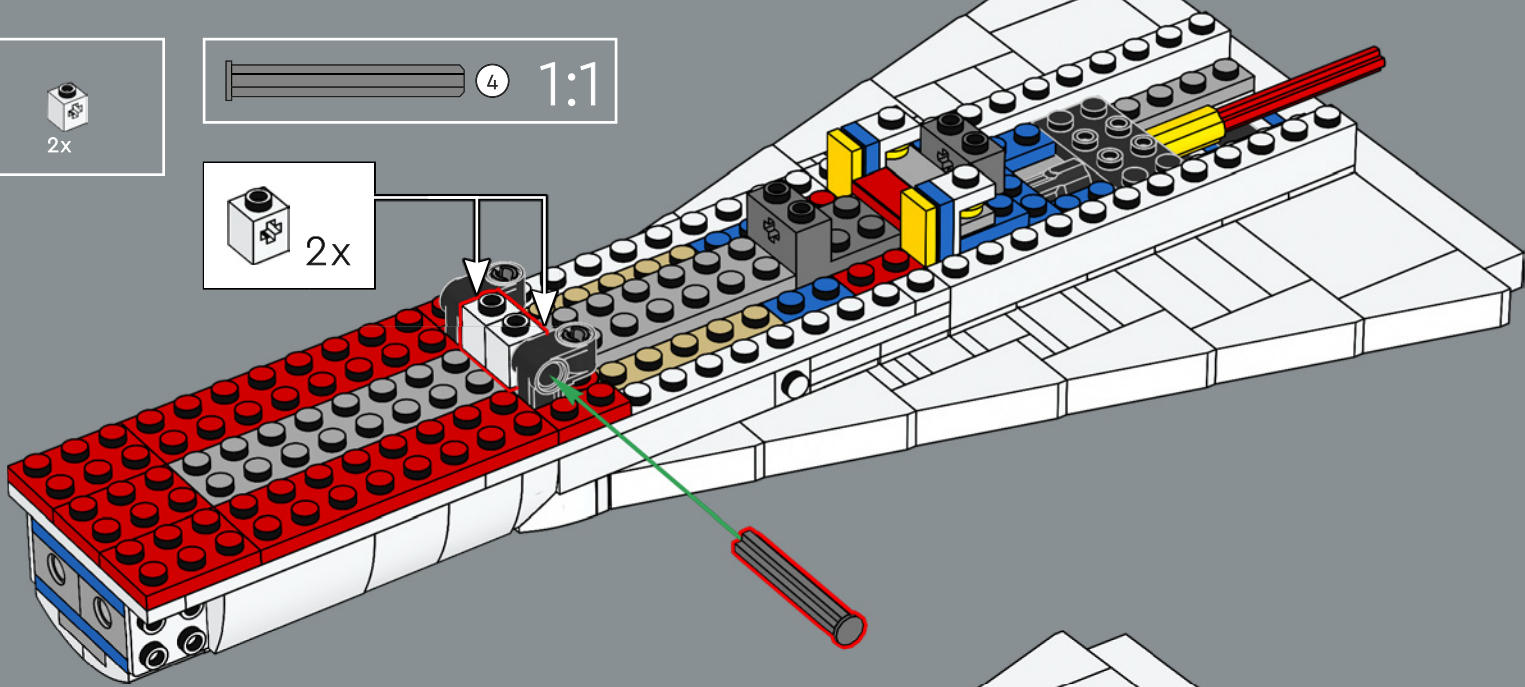
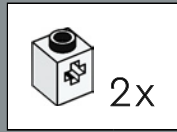
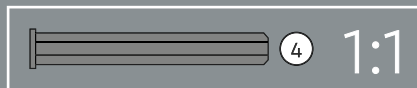


258

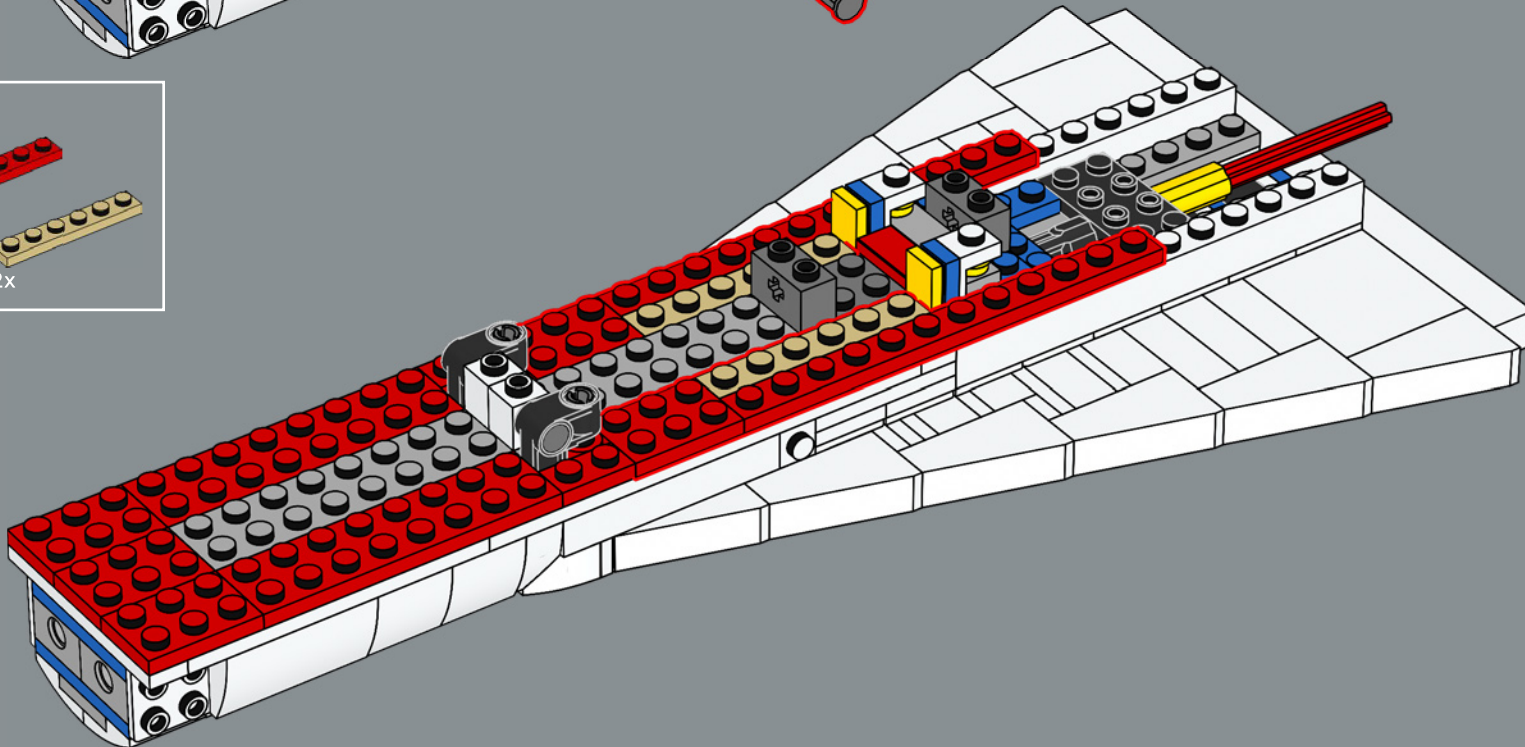




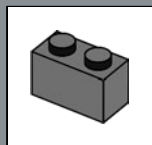
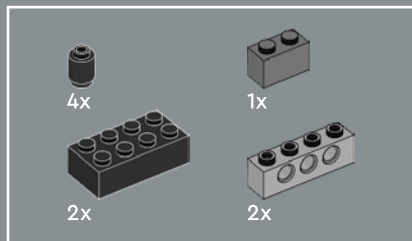
259



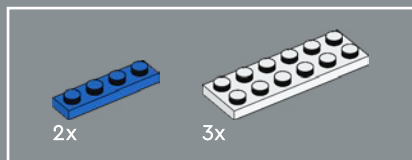
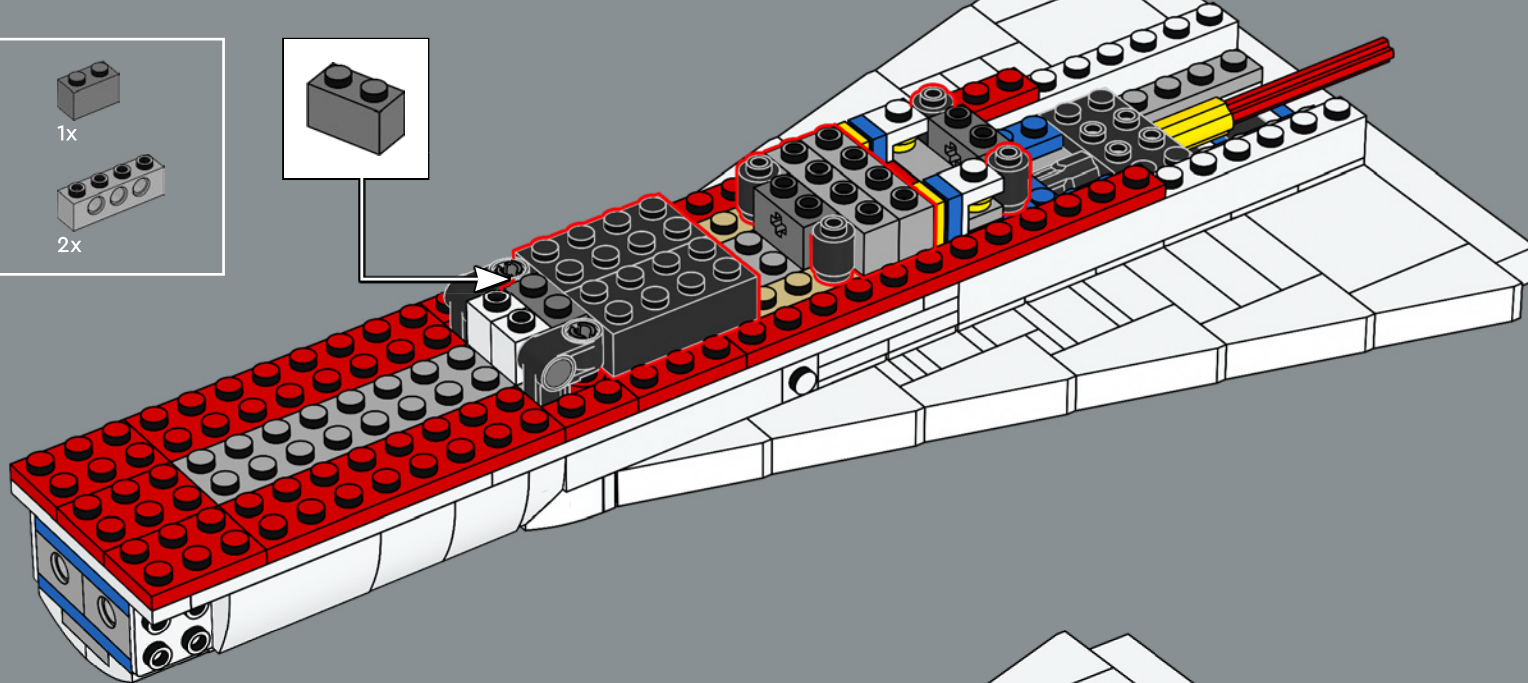
260



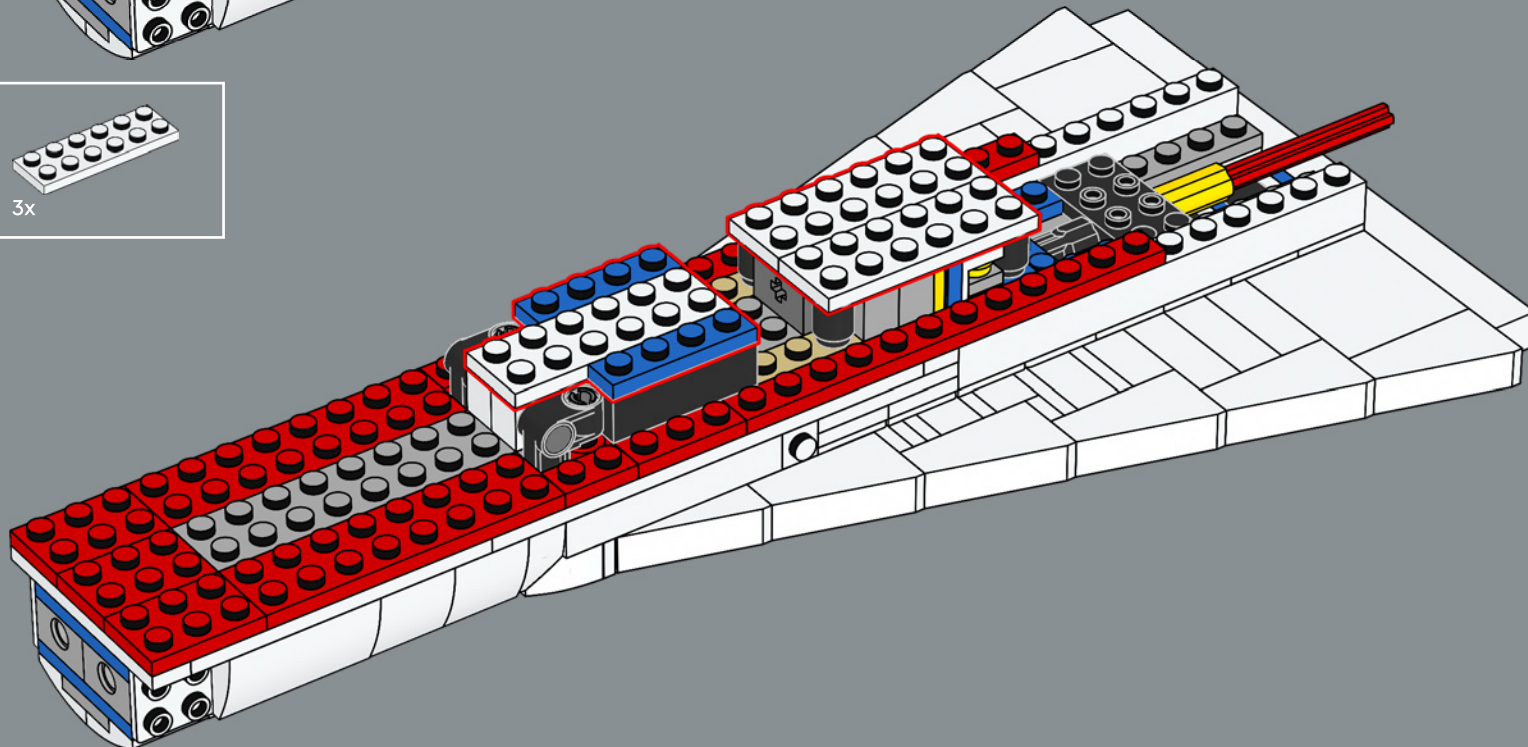




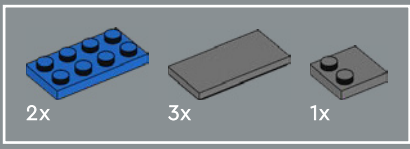
261



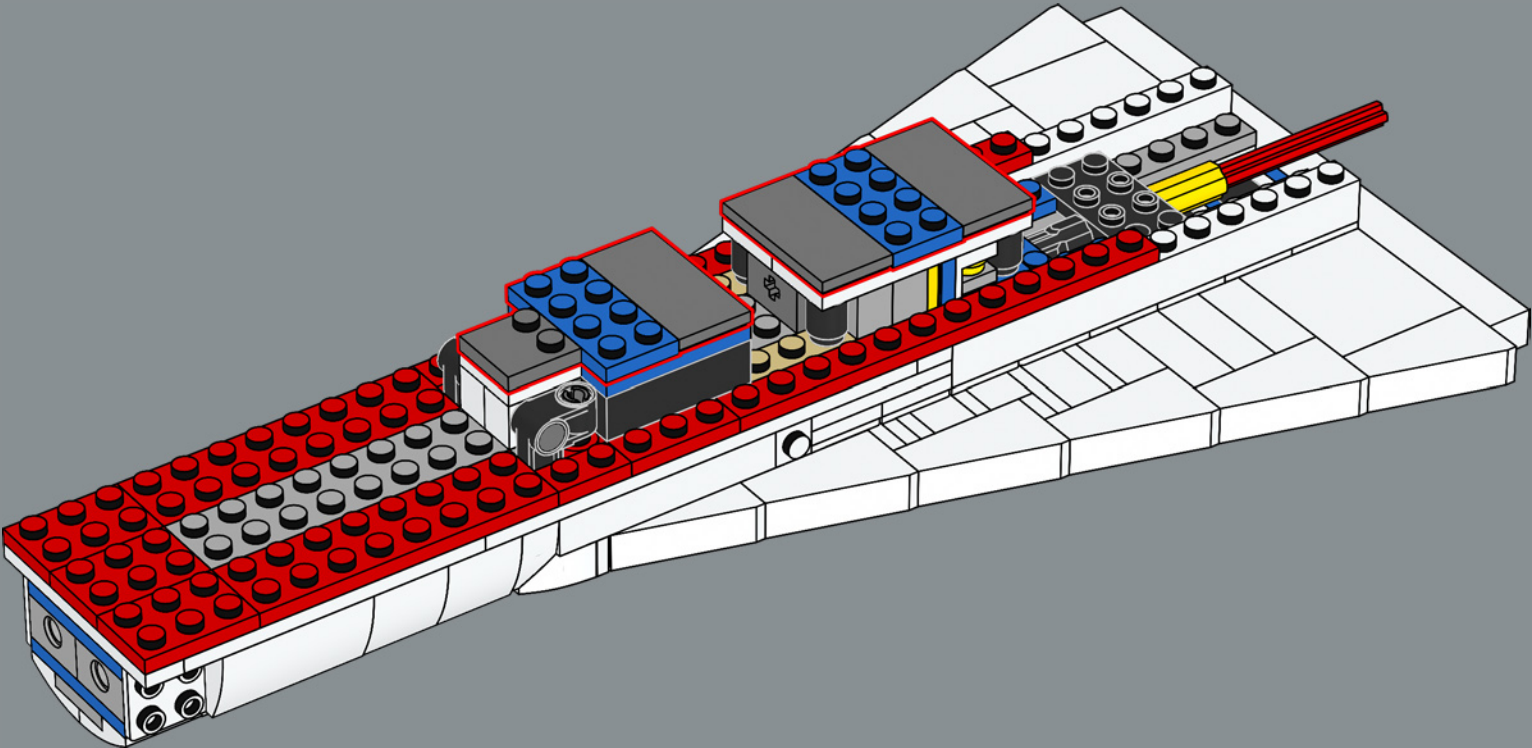
262







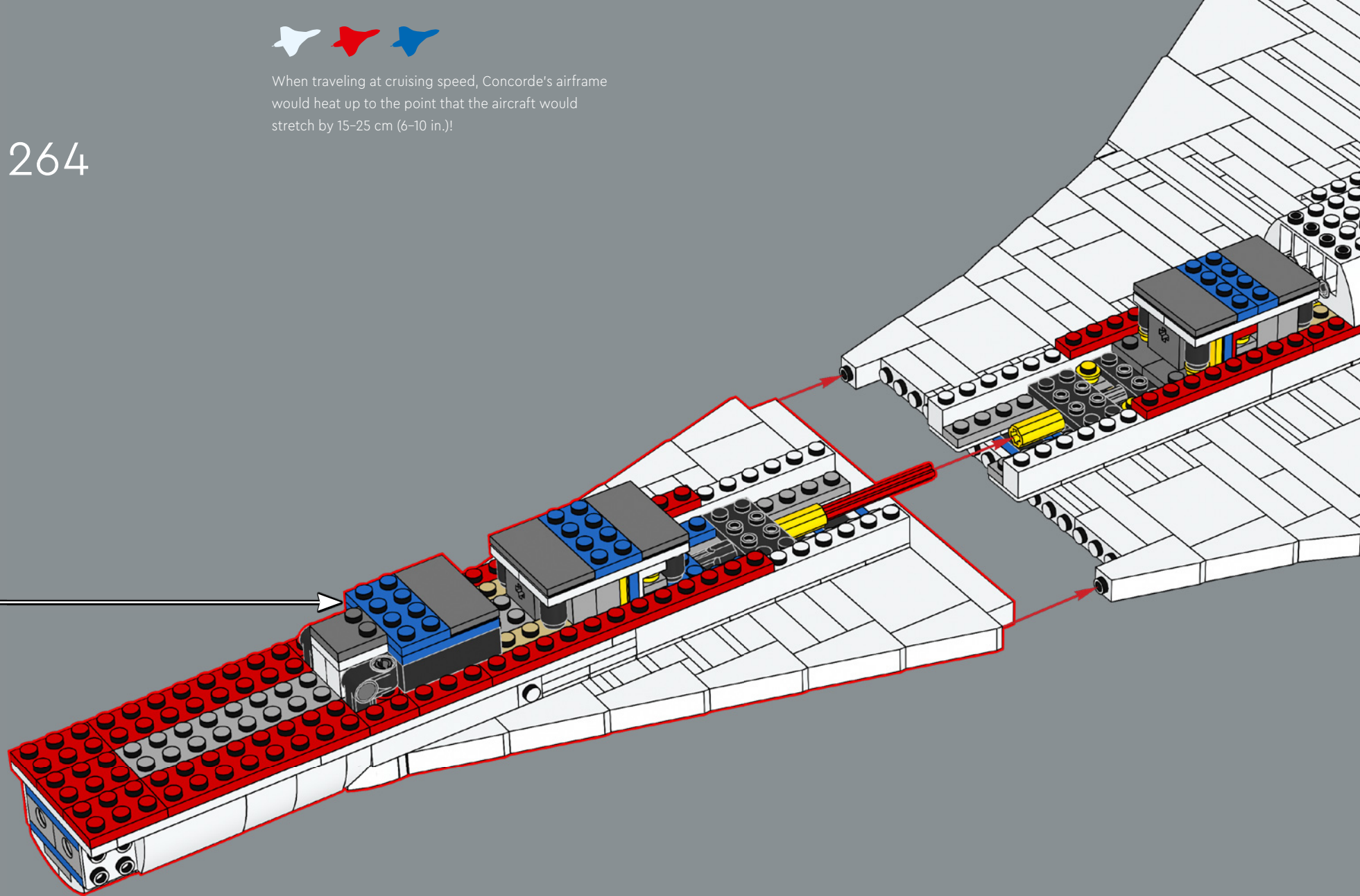
263

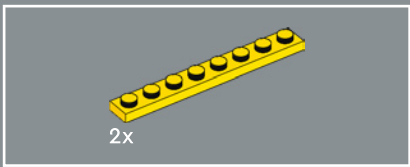




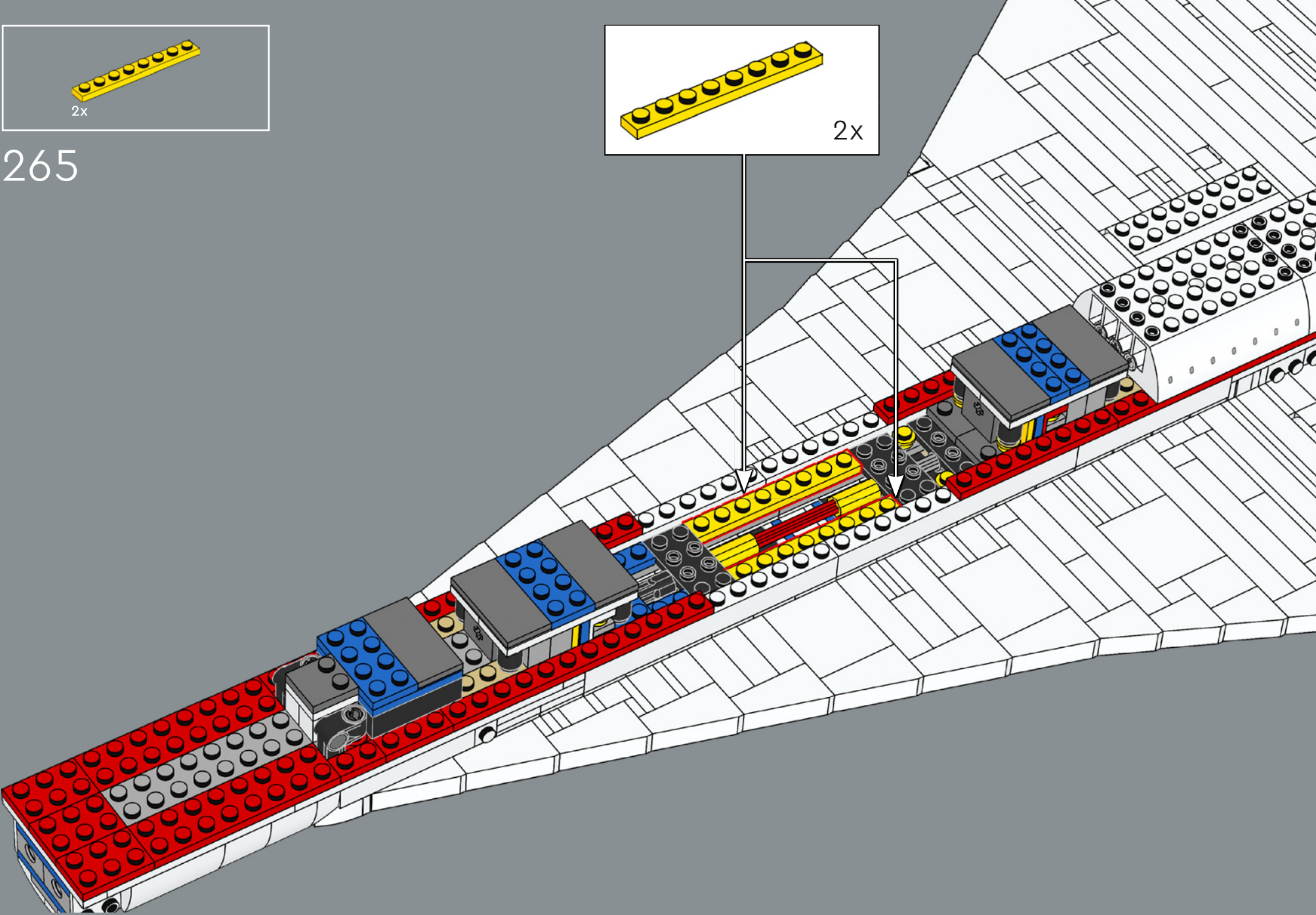
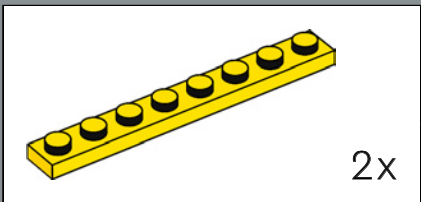
When traveling at cruising speed, Concorde's airframe would heat up to the point that the aircraft would stretch by 15–25 cm (6–10 in.)!

264

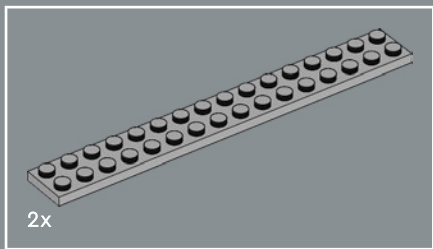




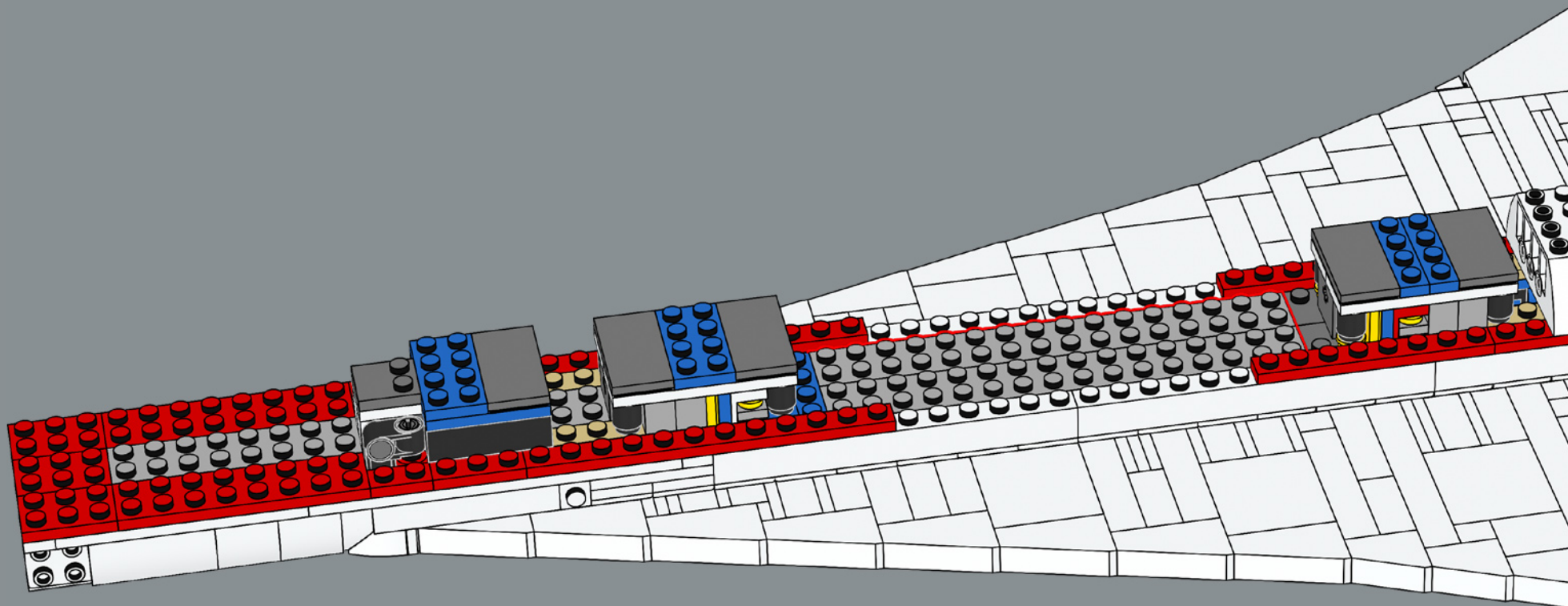
265



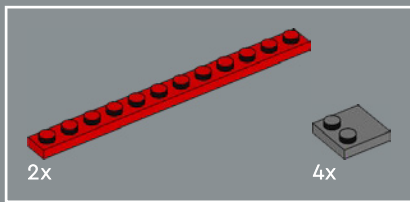




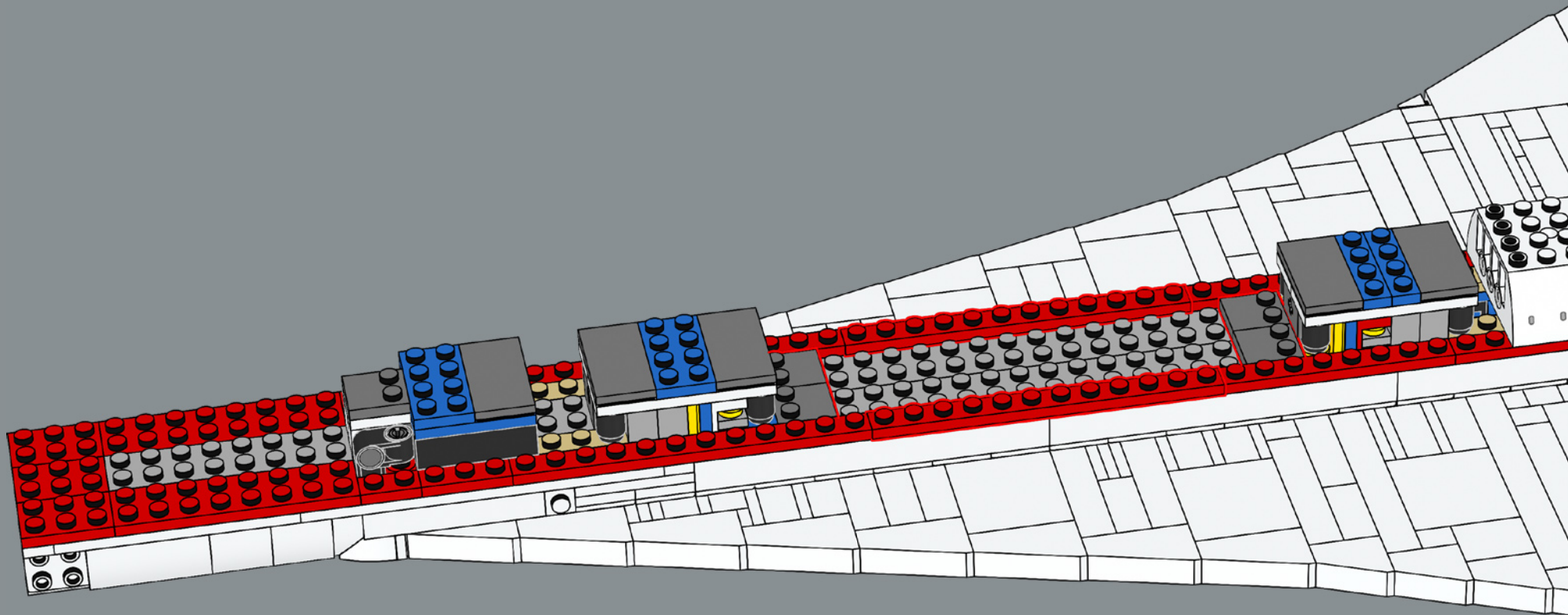
266

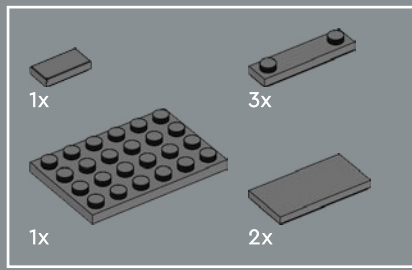




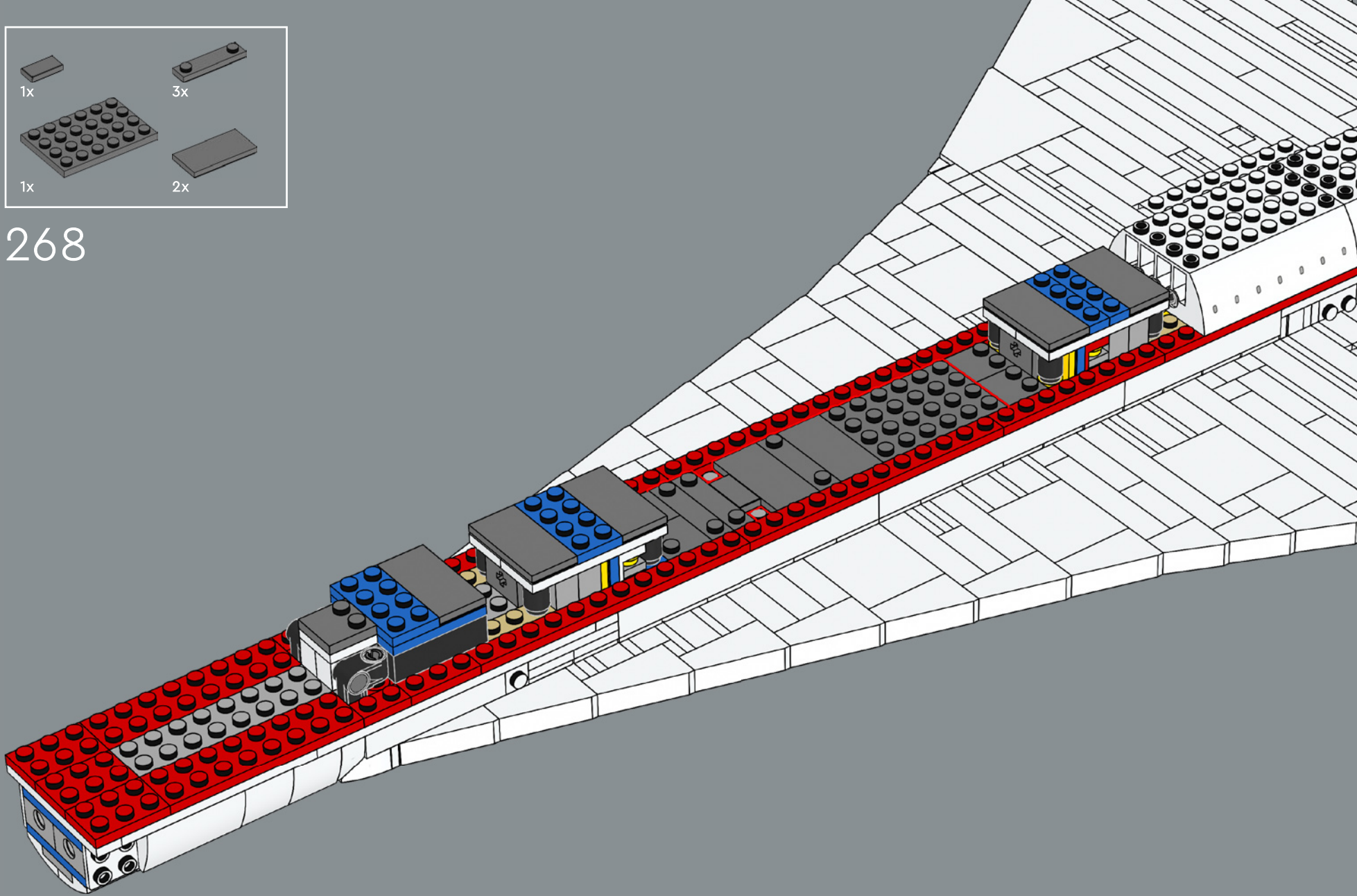


267

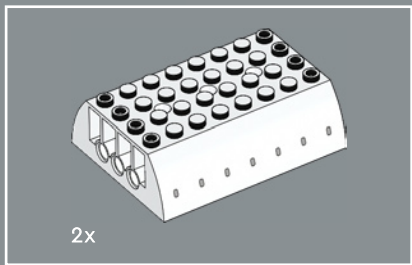




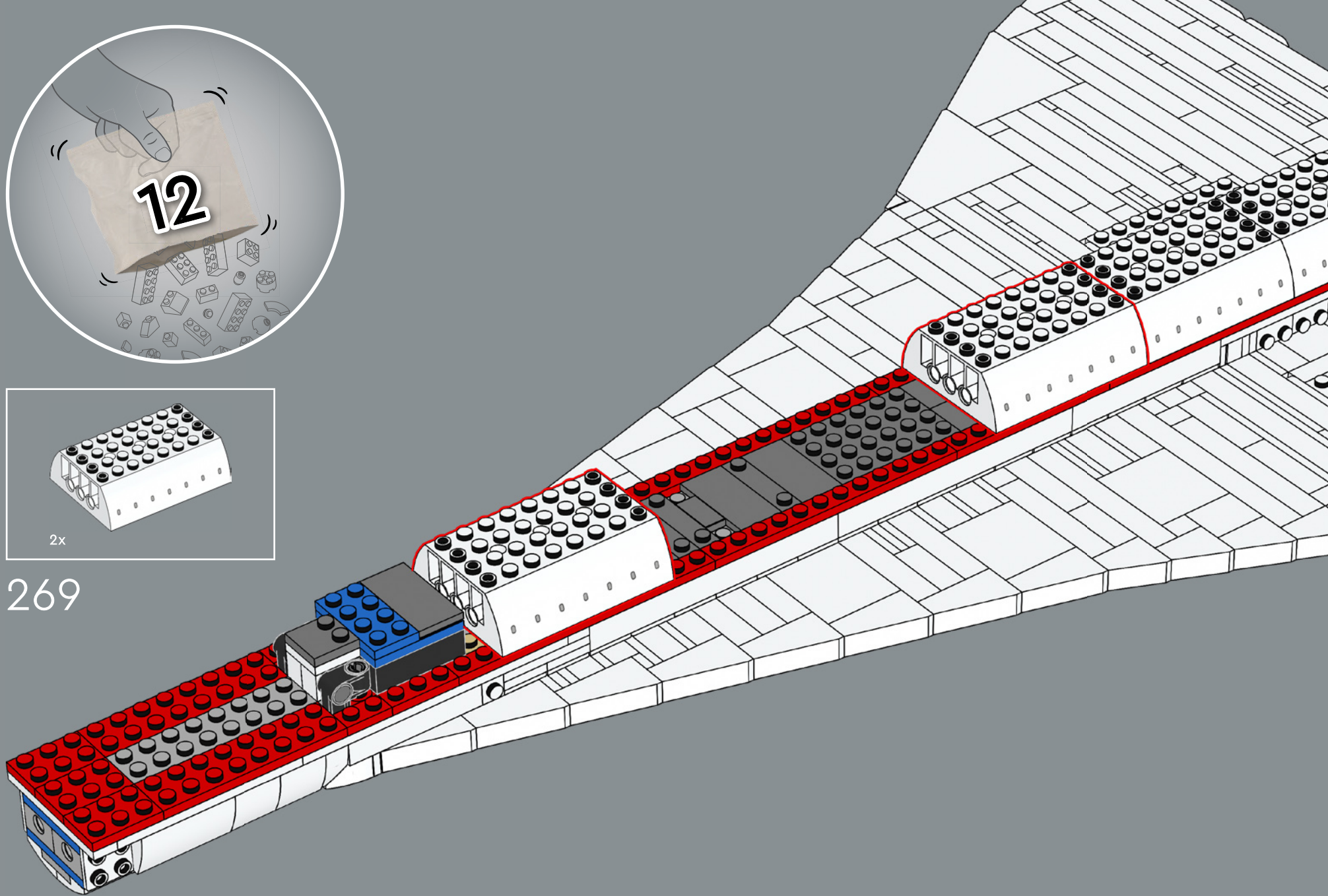
268

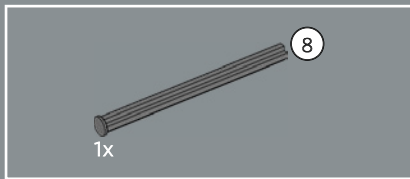




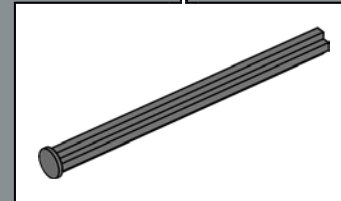
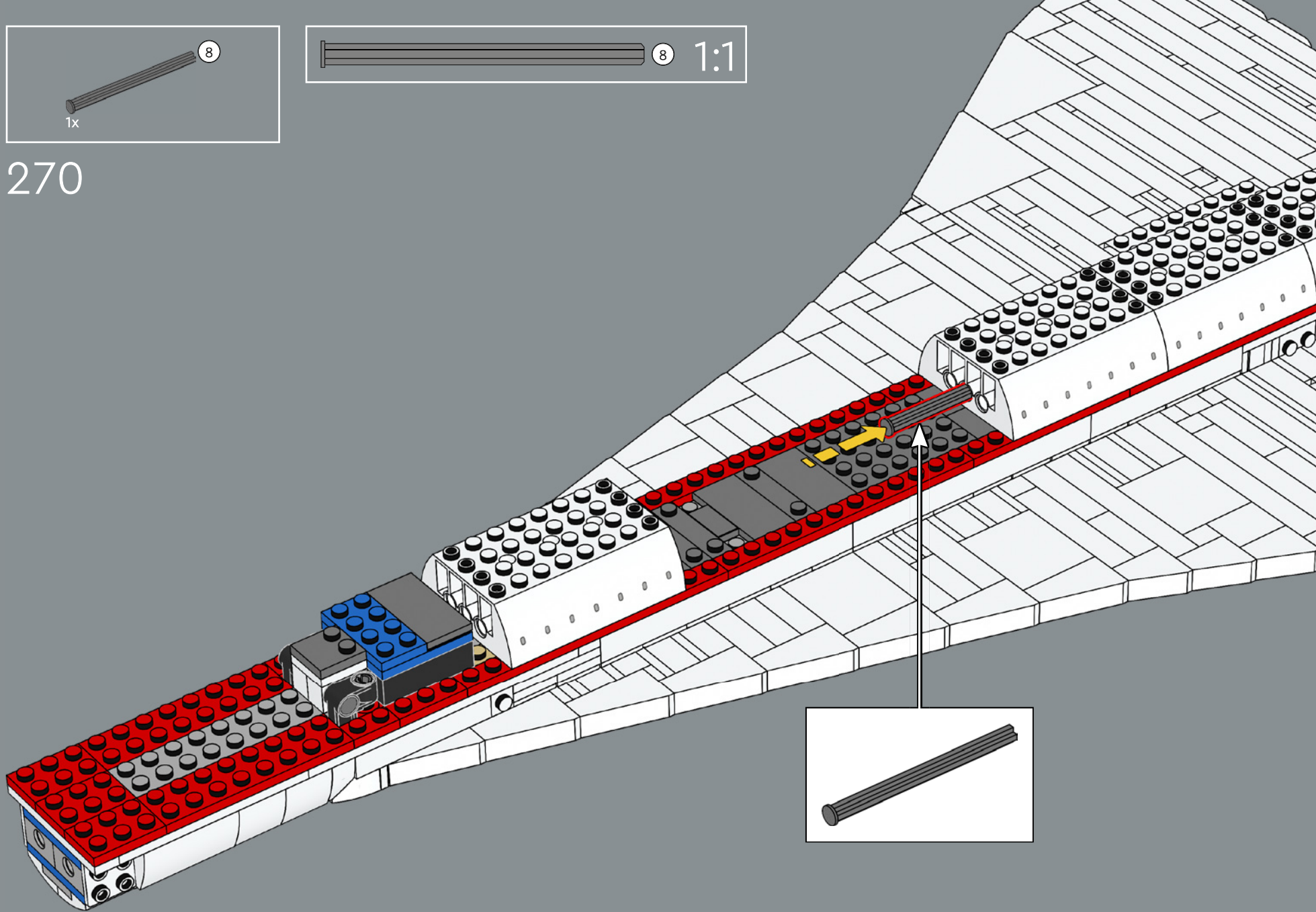


269

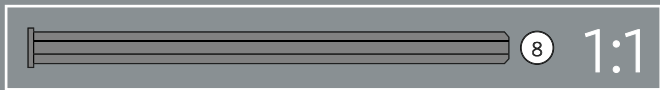
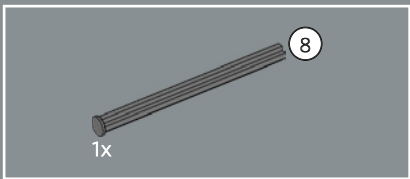




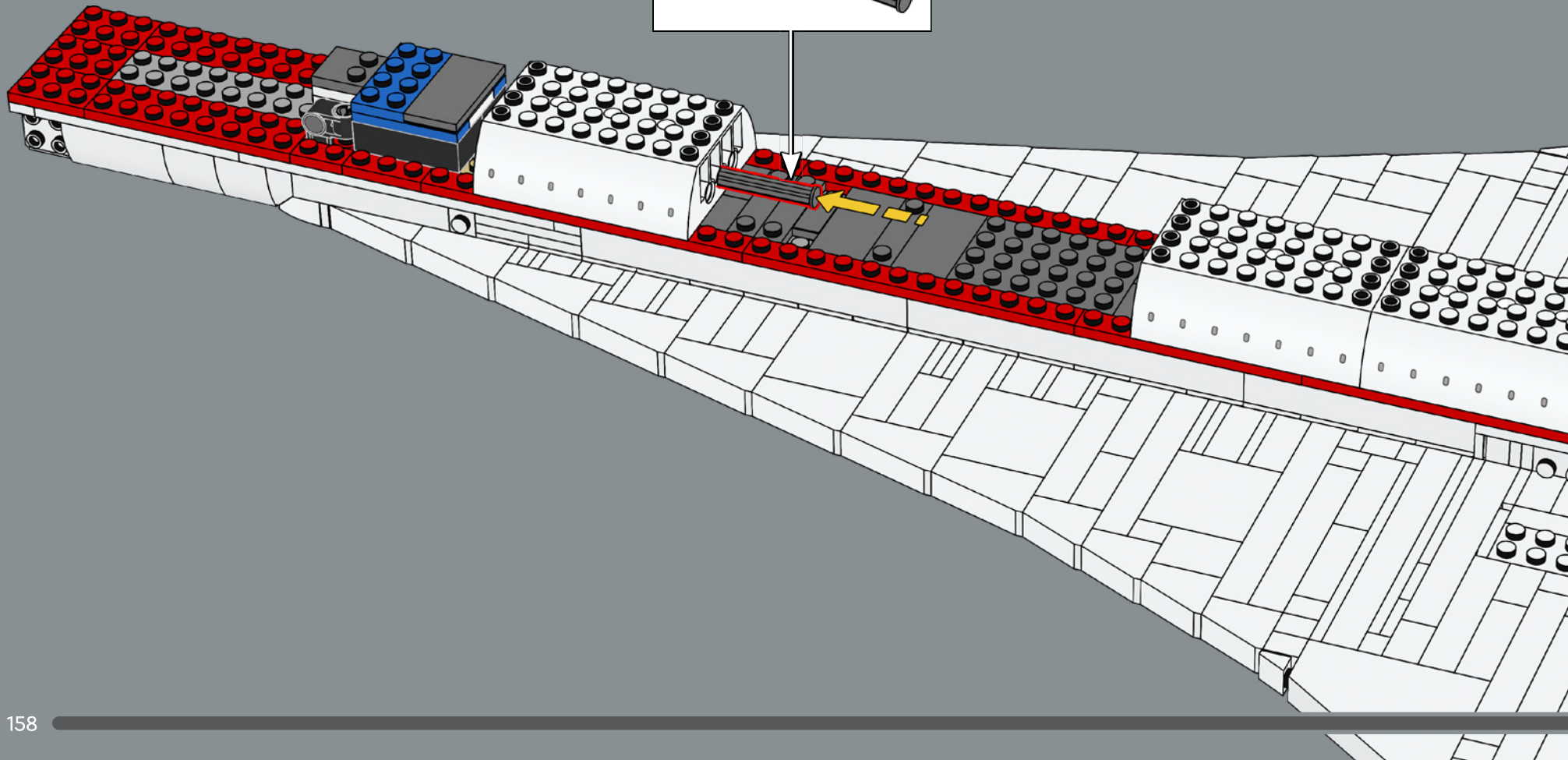
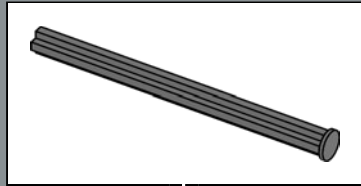
270

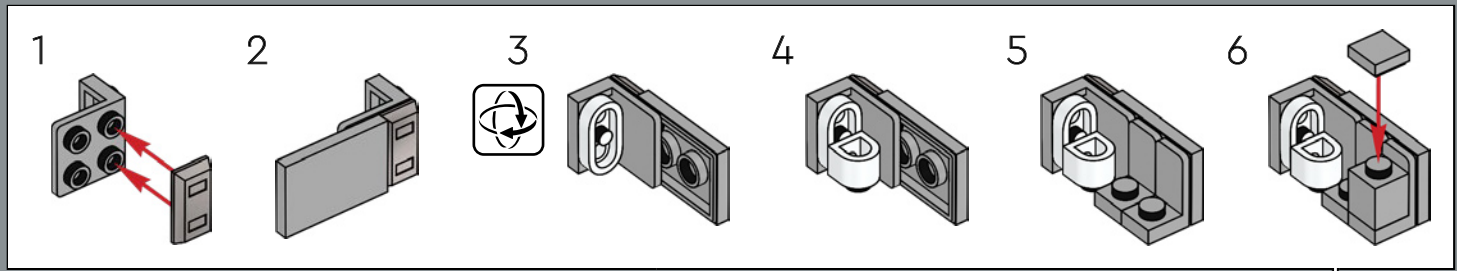
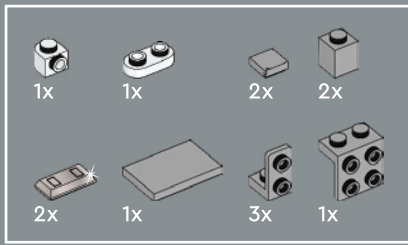




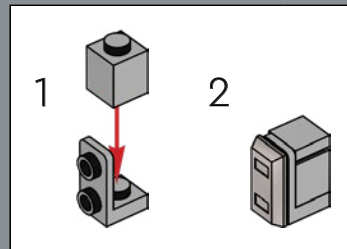
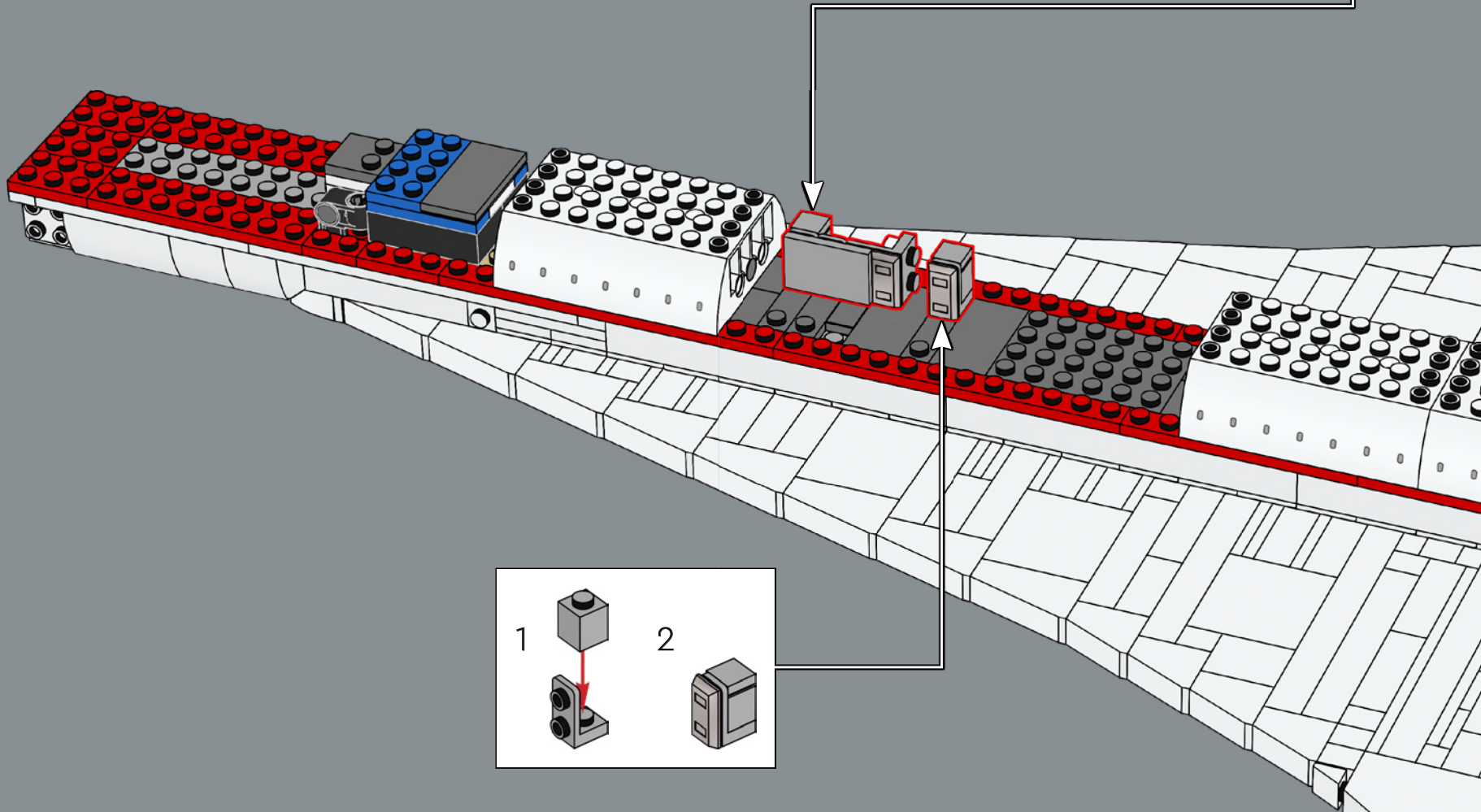


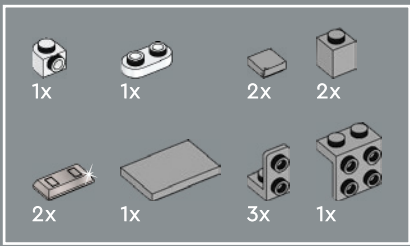
271



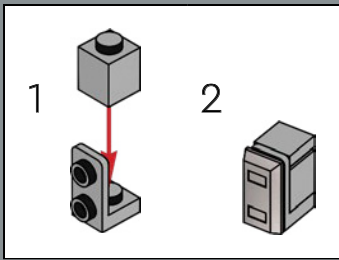
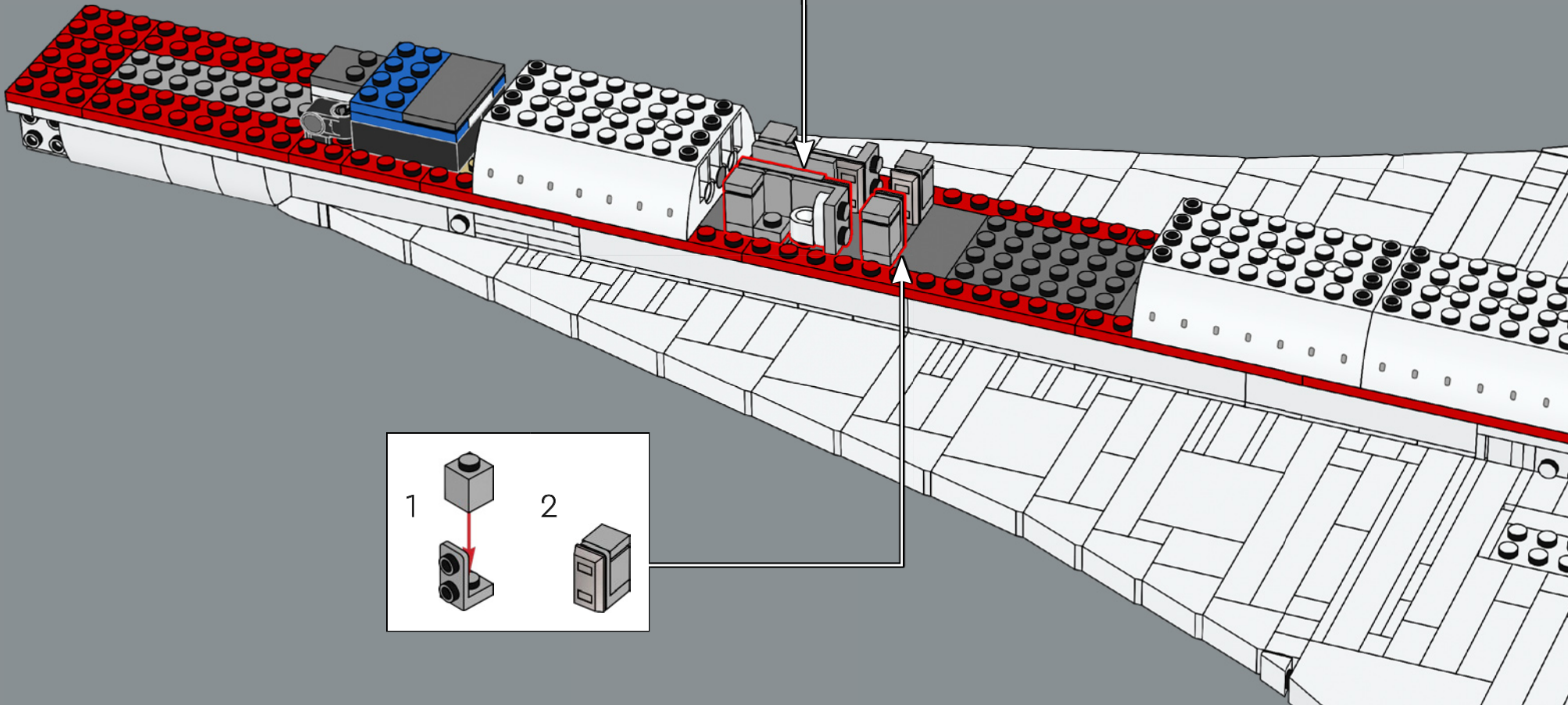
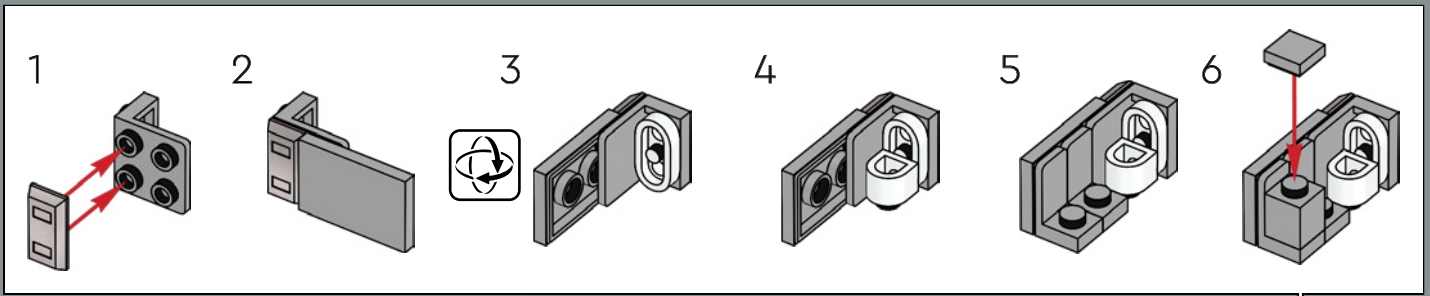


272

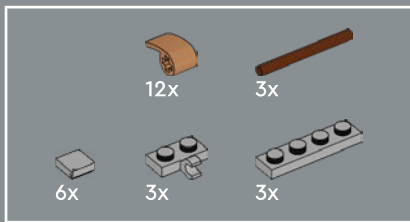




273

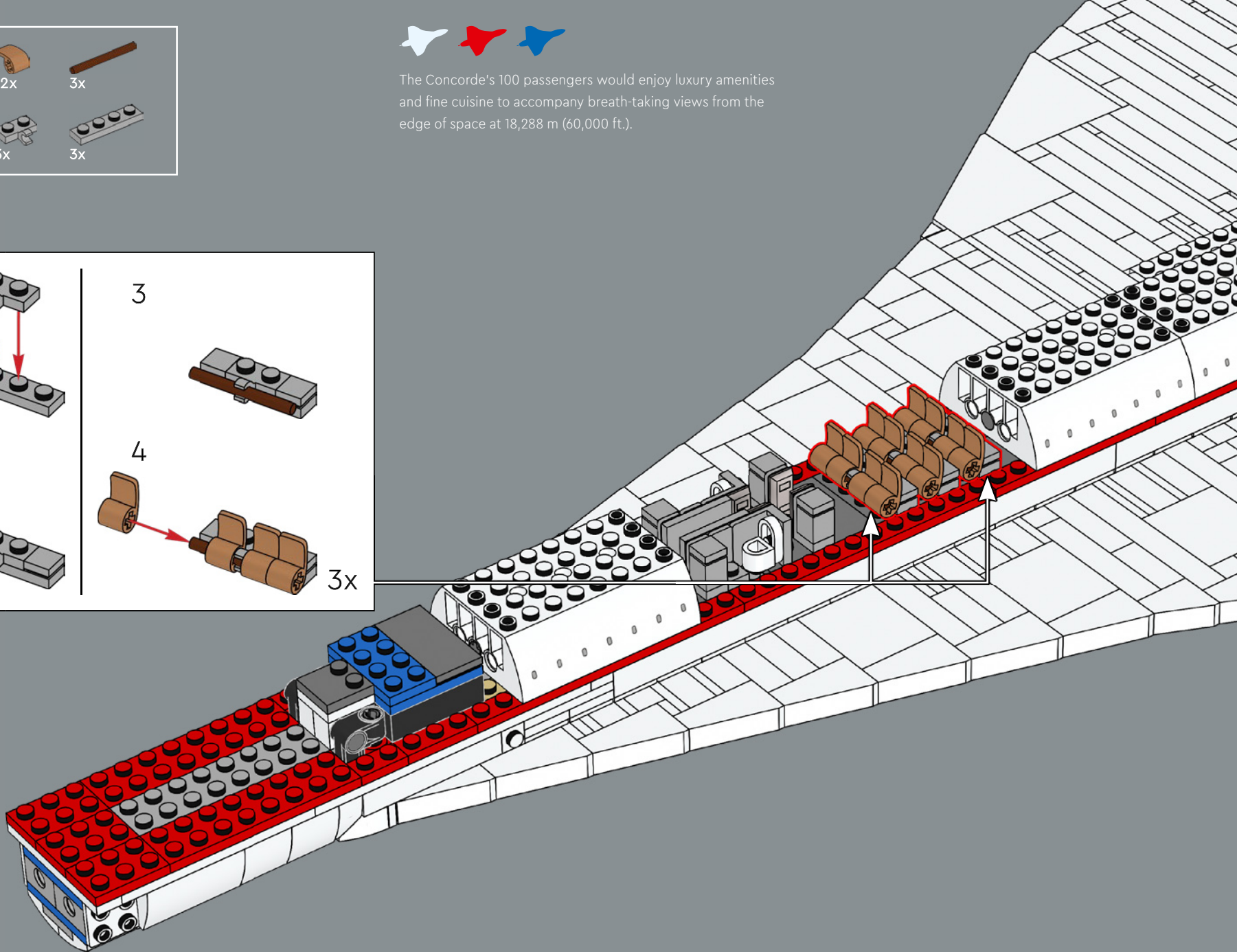
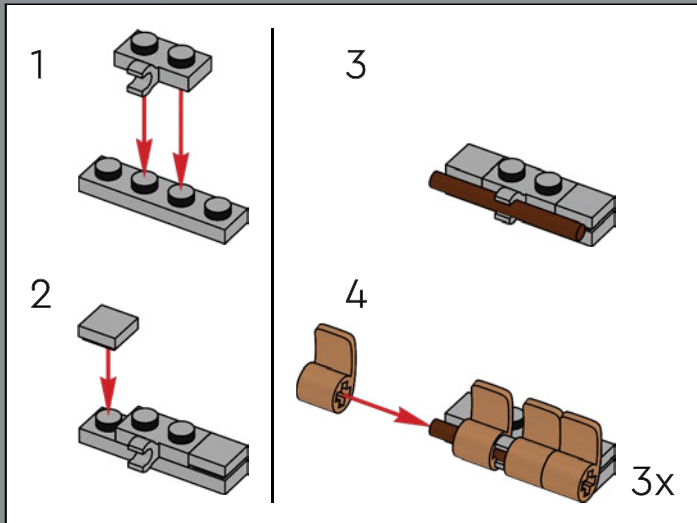




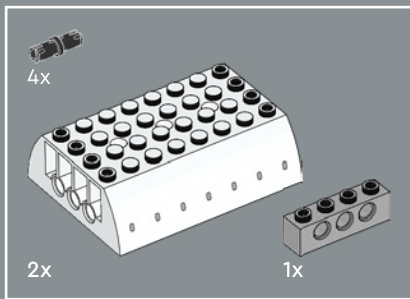


The Concorde's 100 passengers would enjoy luxury amenities and fine cuisine to accompany breath-taking views from the edge of space at 18,288 m (60,000 ft.).

# 274

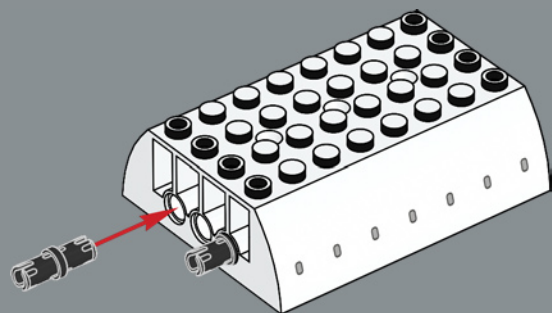




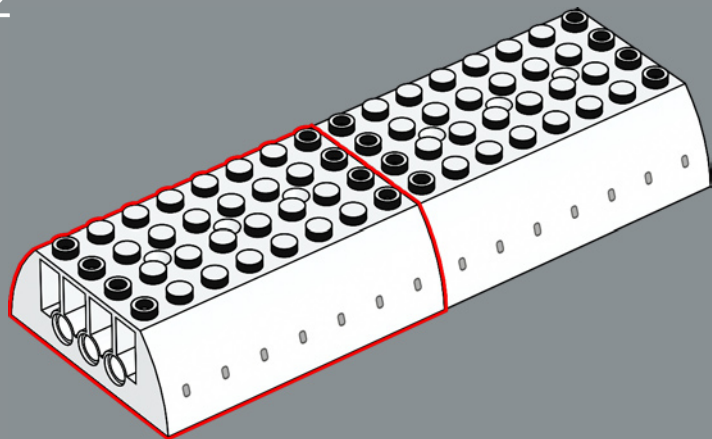


275

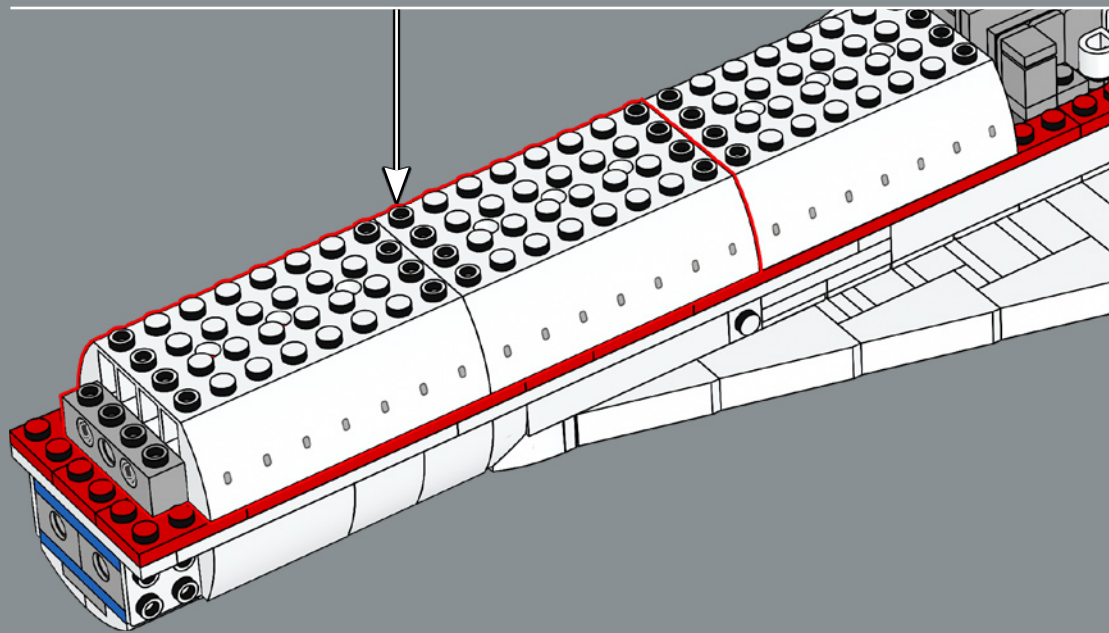
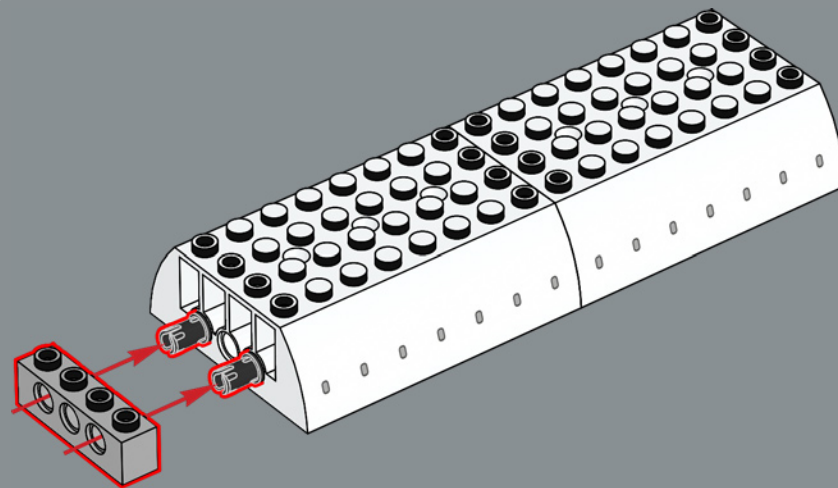
1

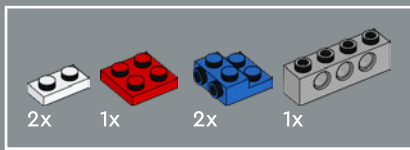


2

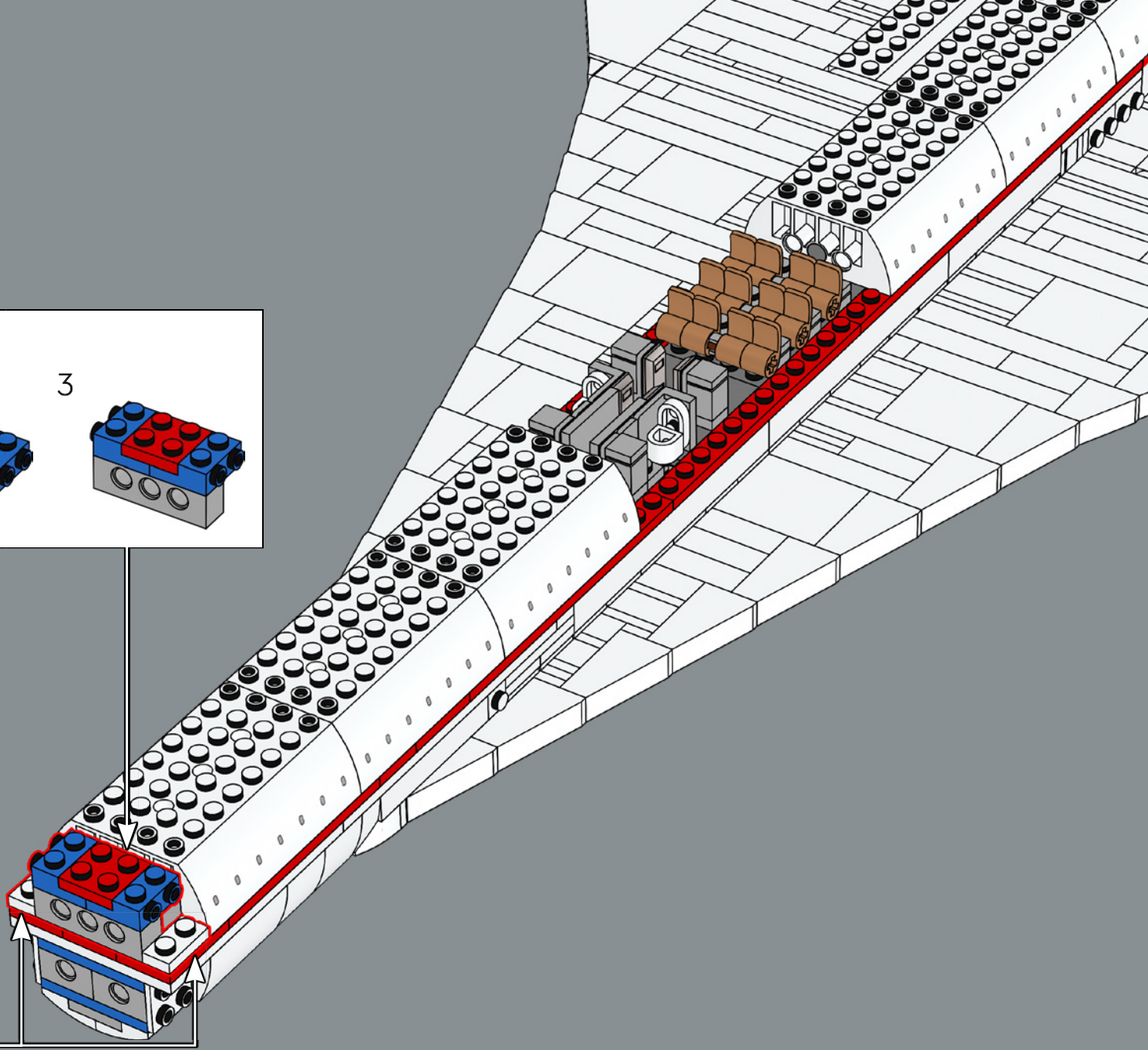
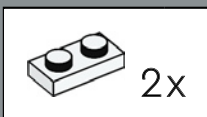
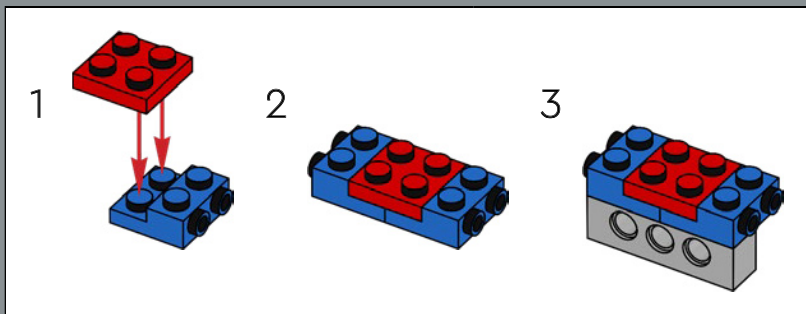


3

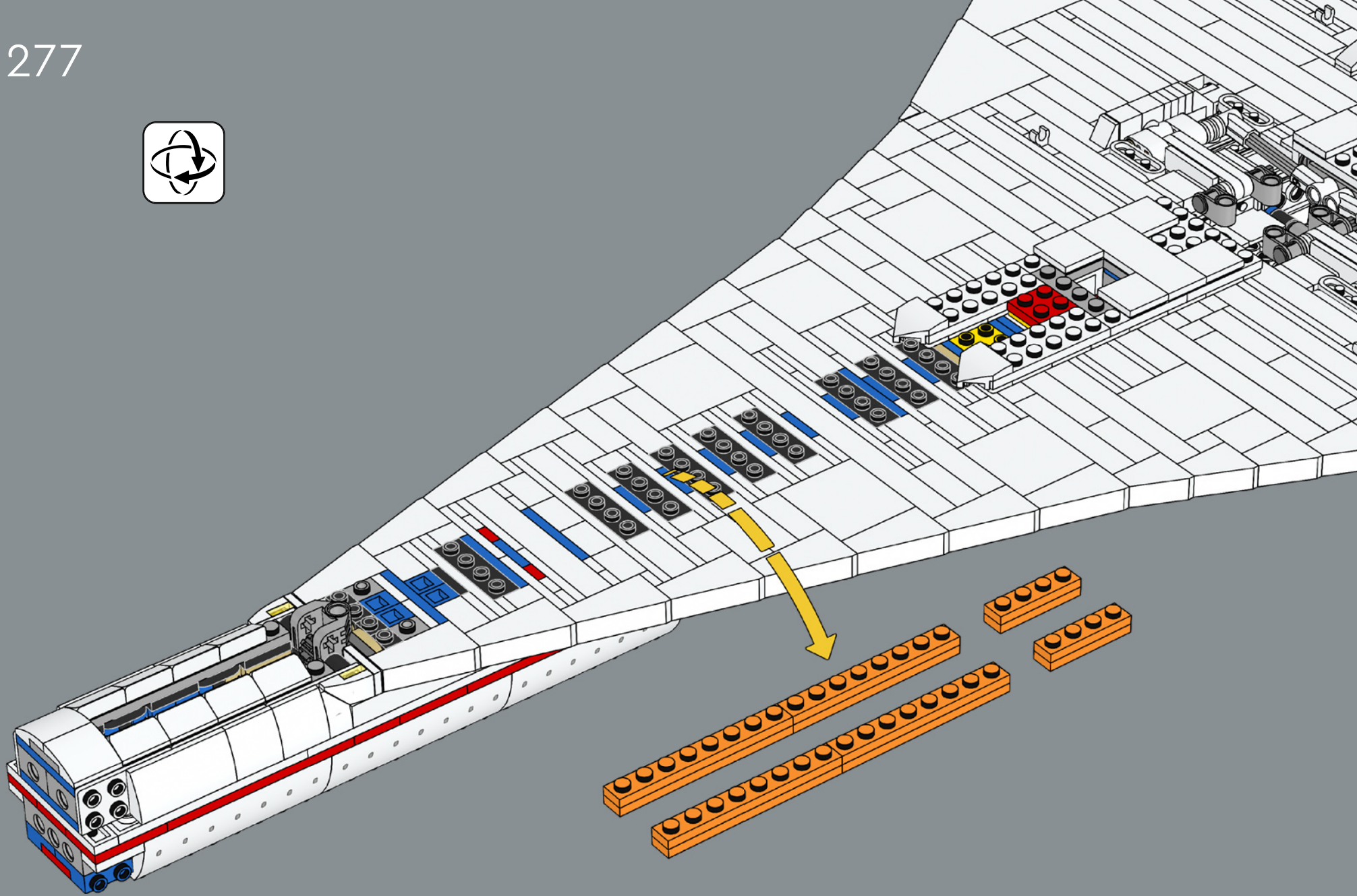


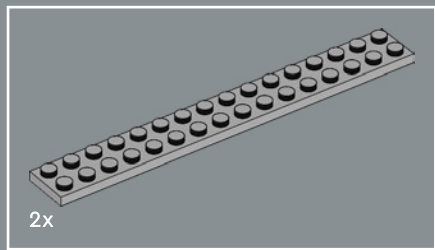


276

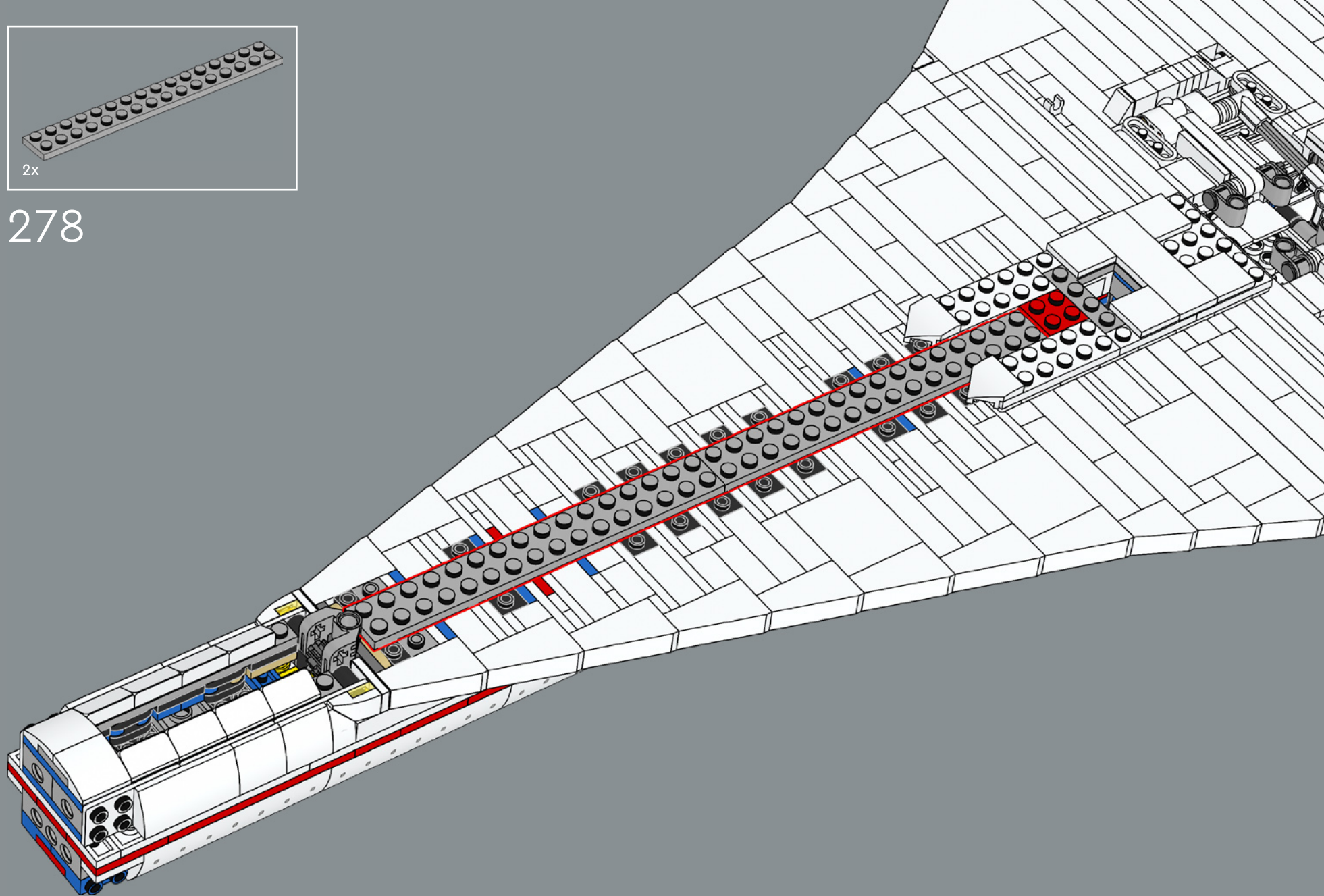




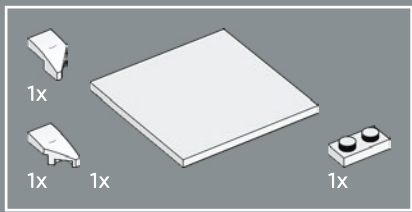




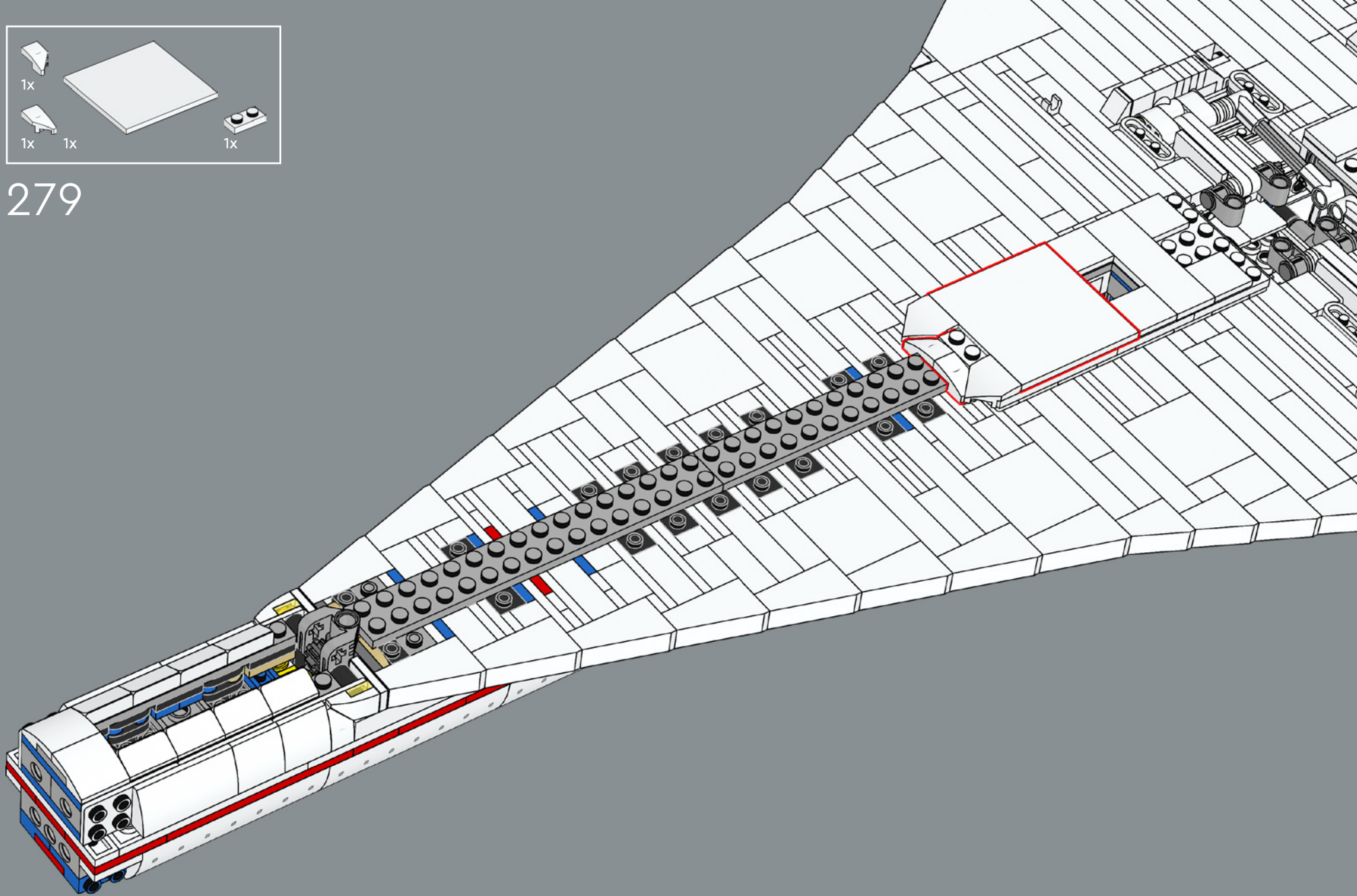
278

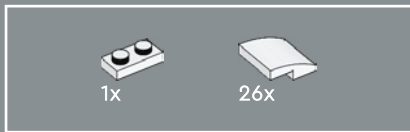




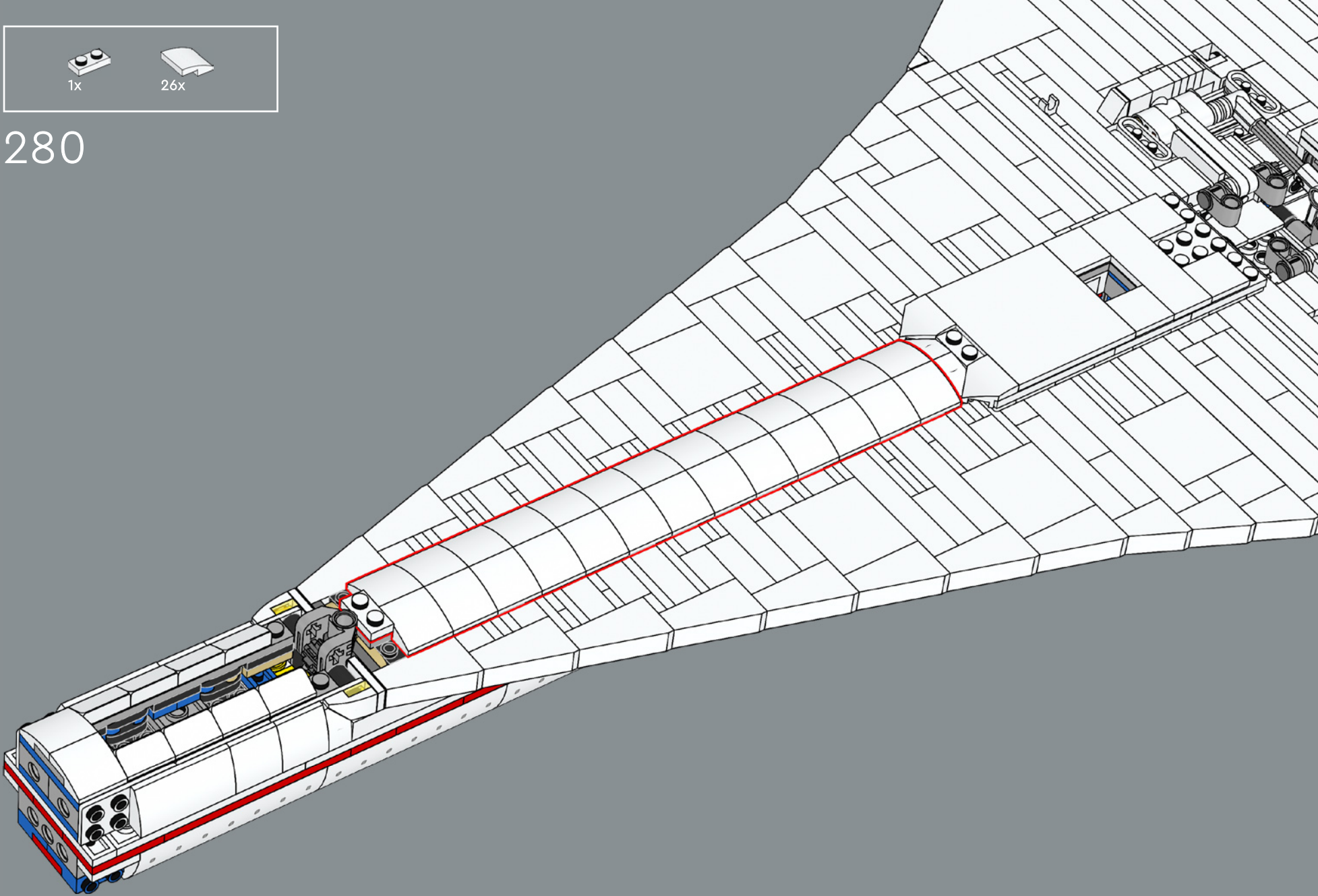


279



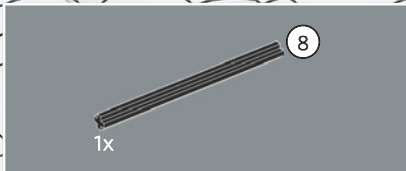


280

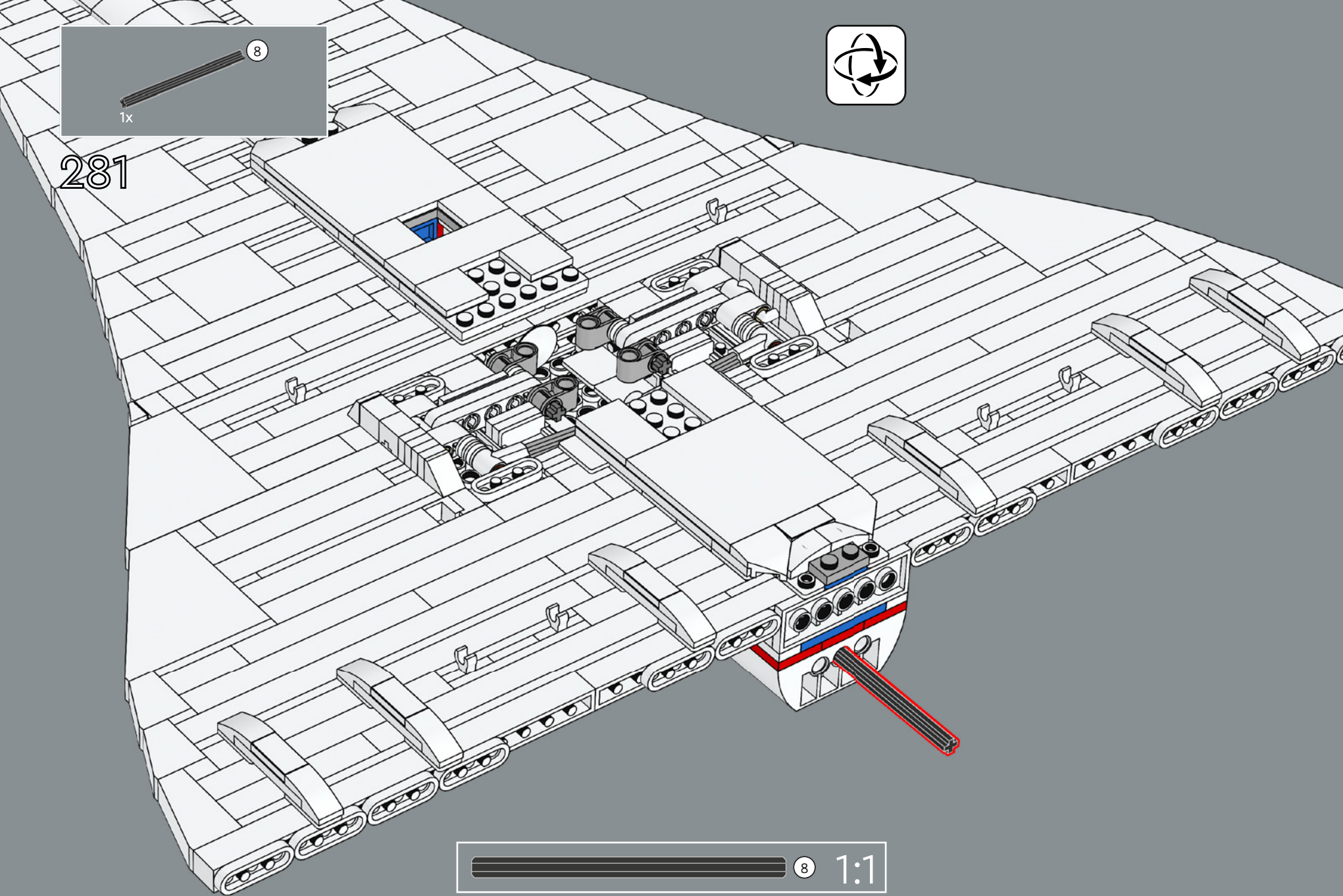






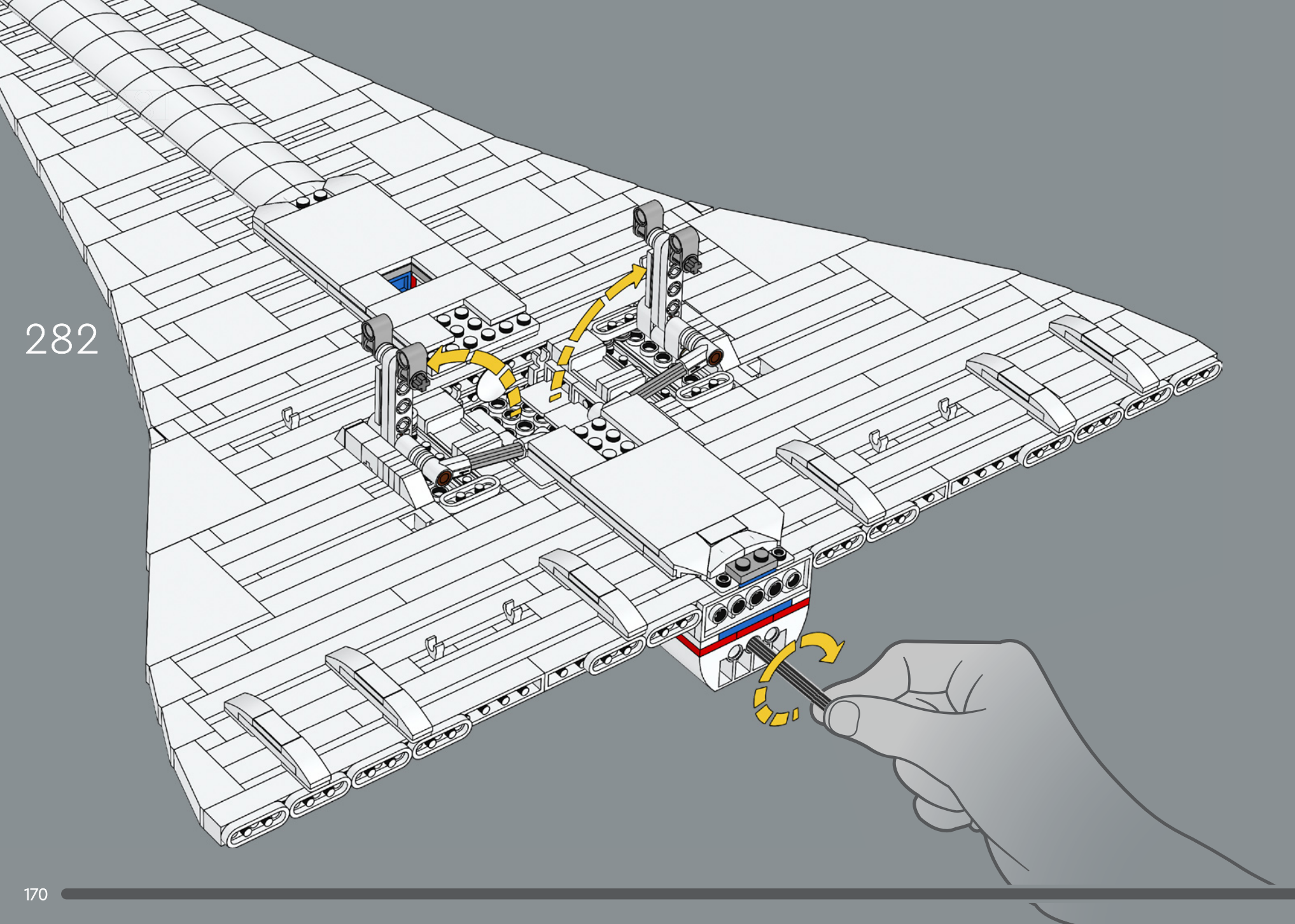


281



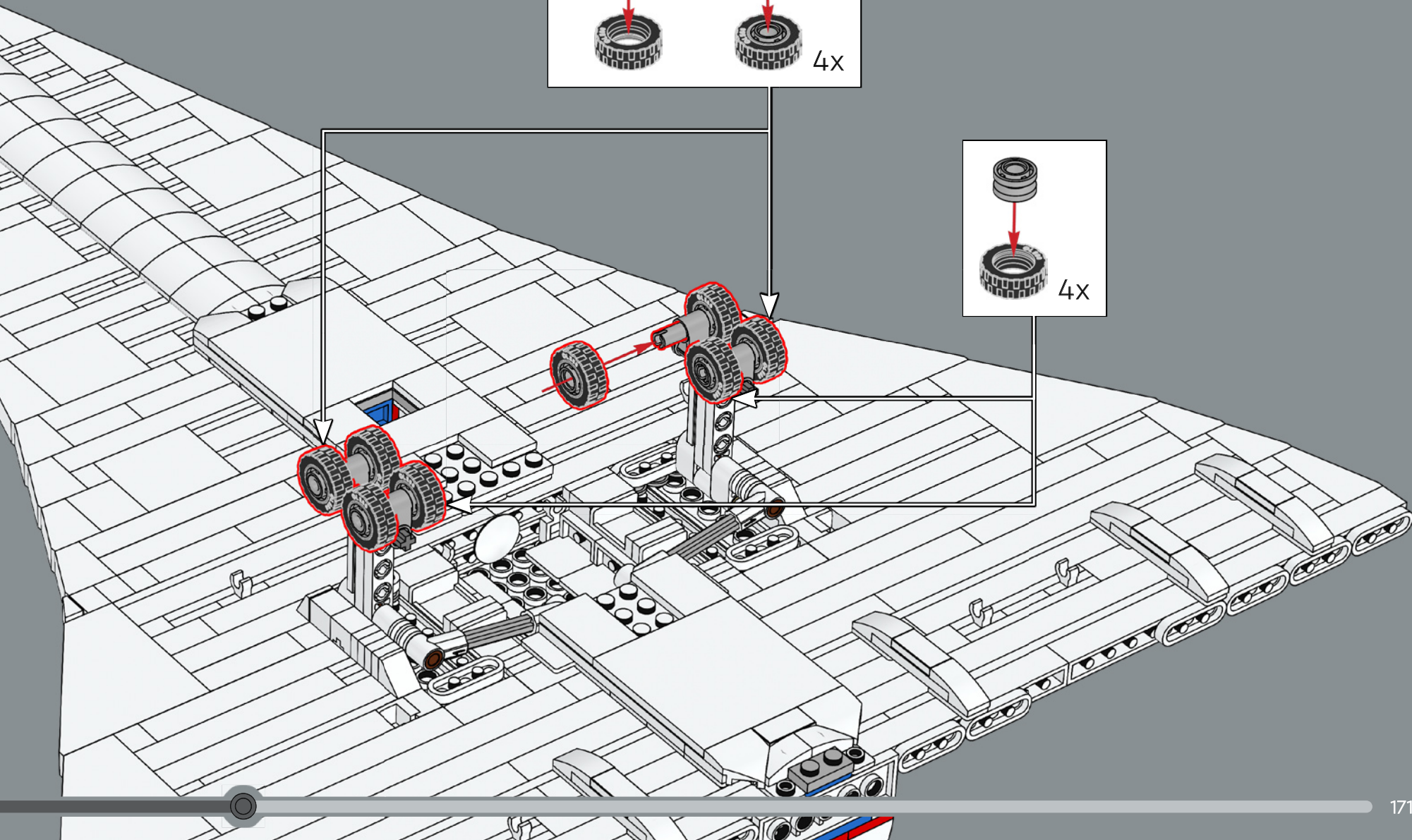
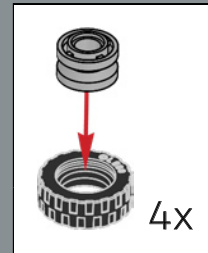
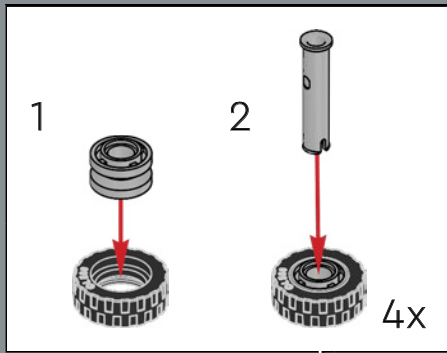


282





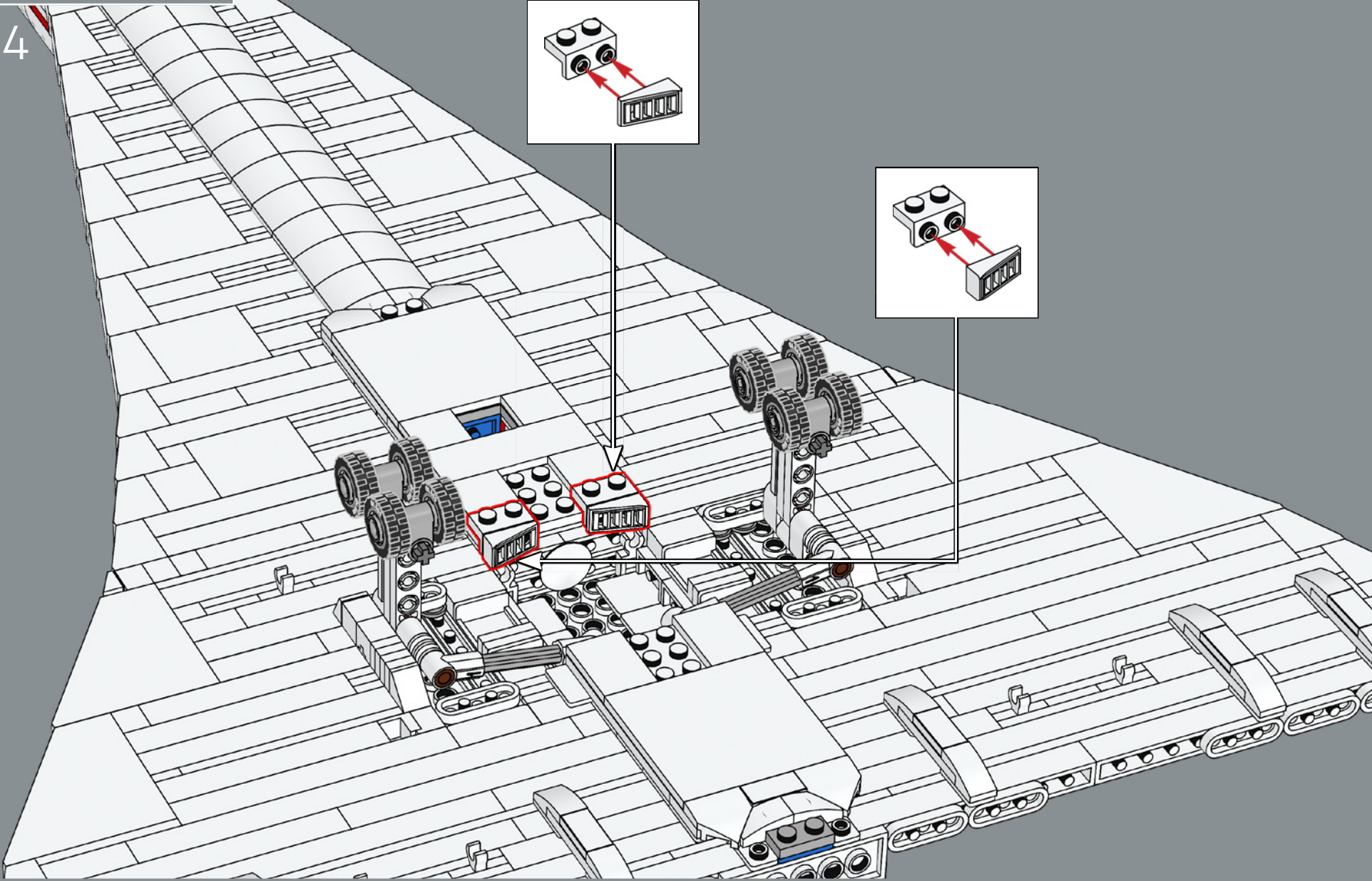
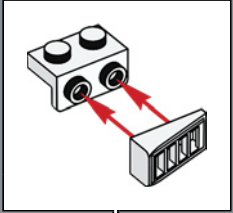
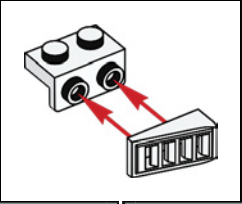
283

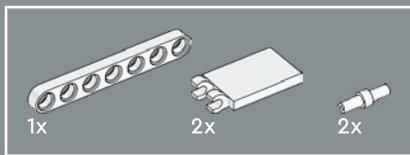






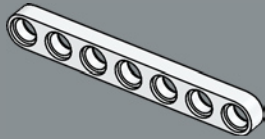
284



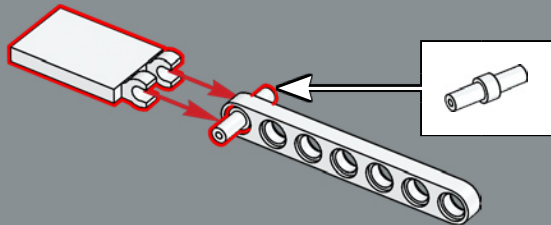


285

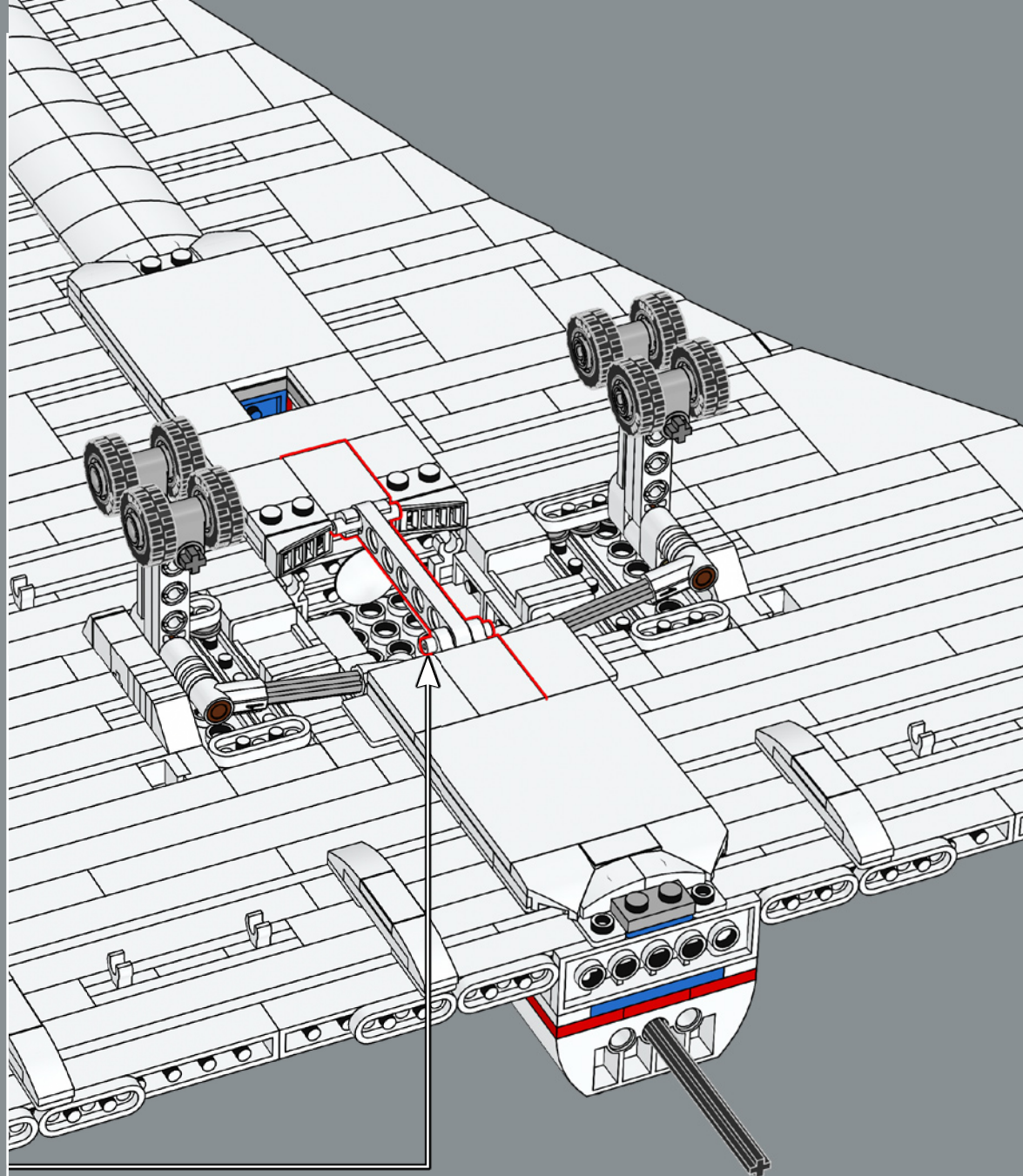
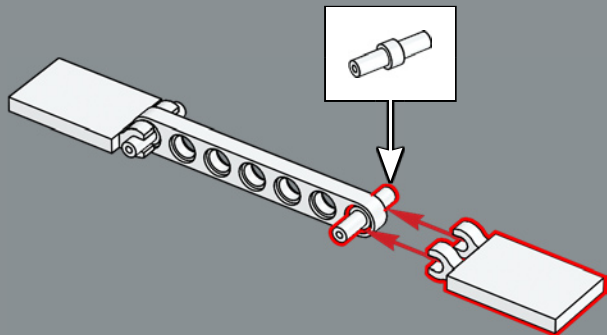
1



2



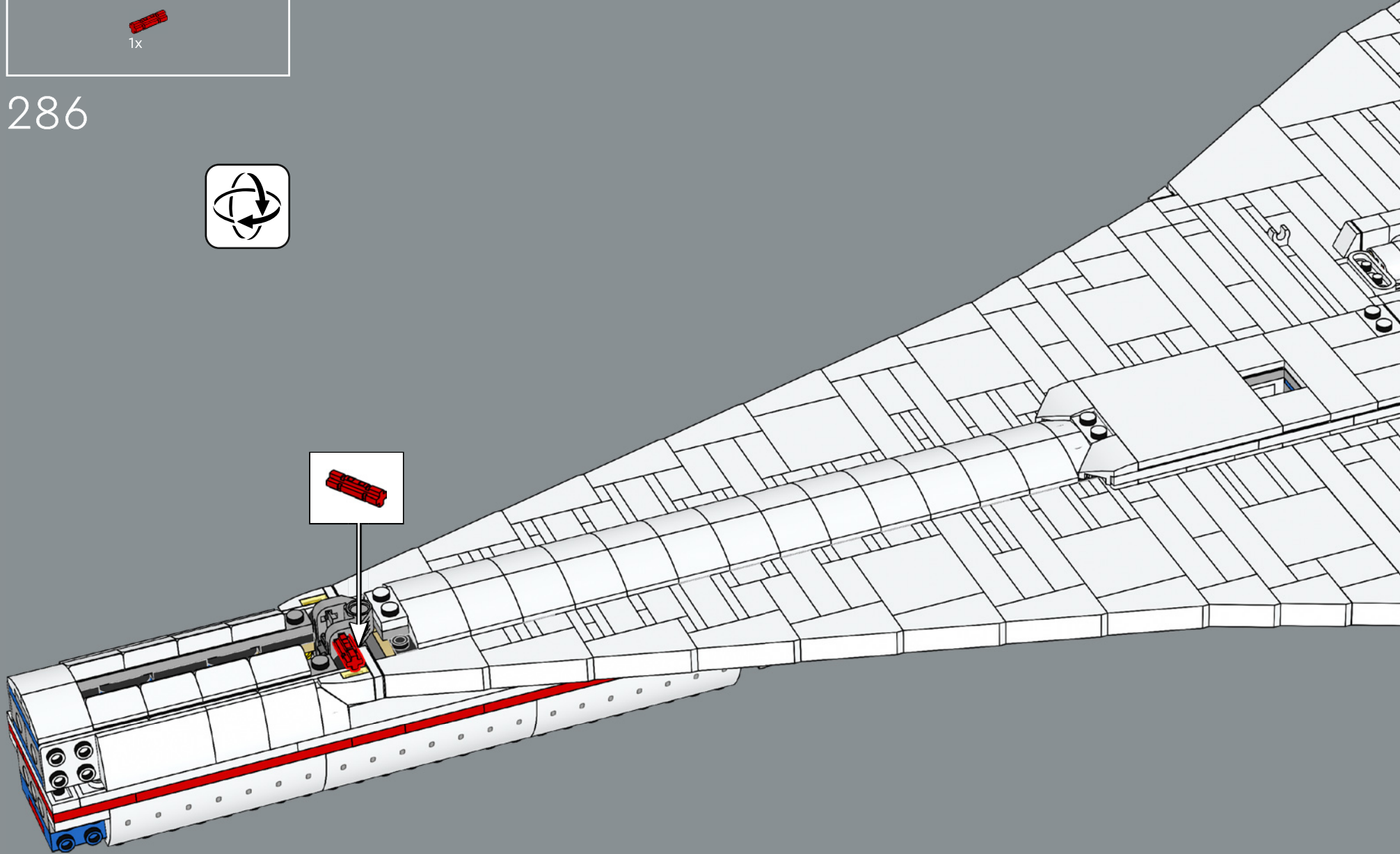
3

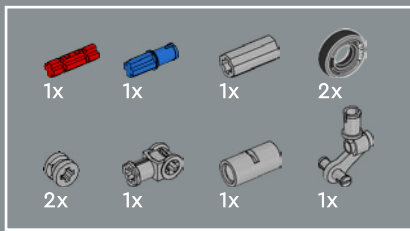




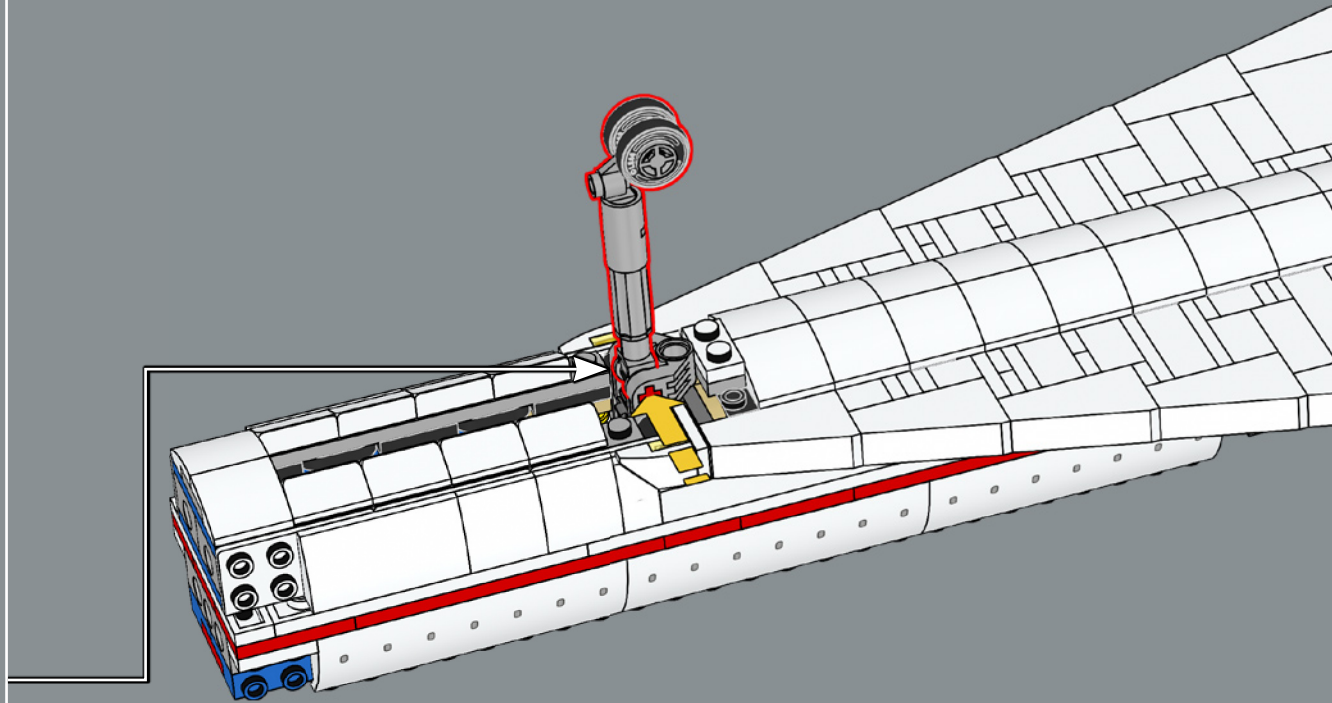
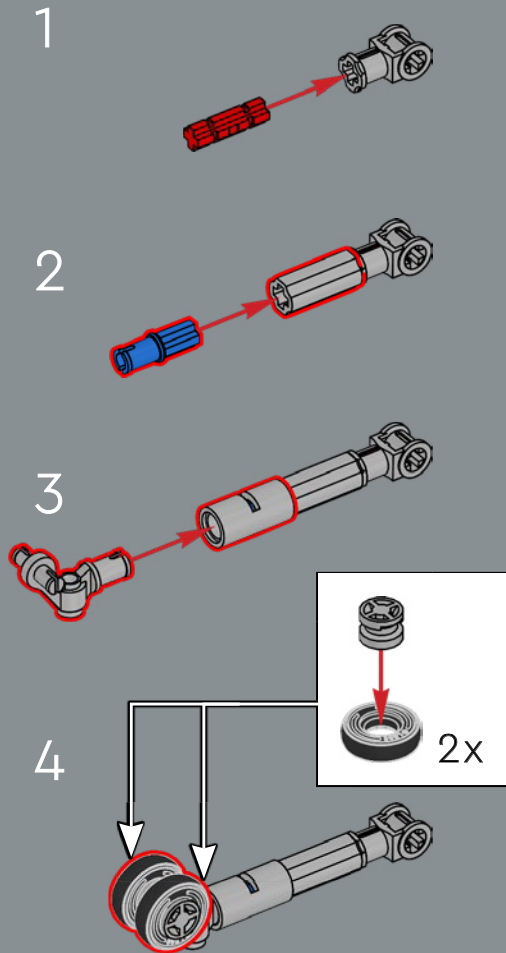
1x

286



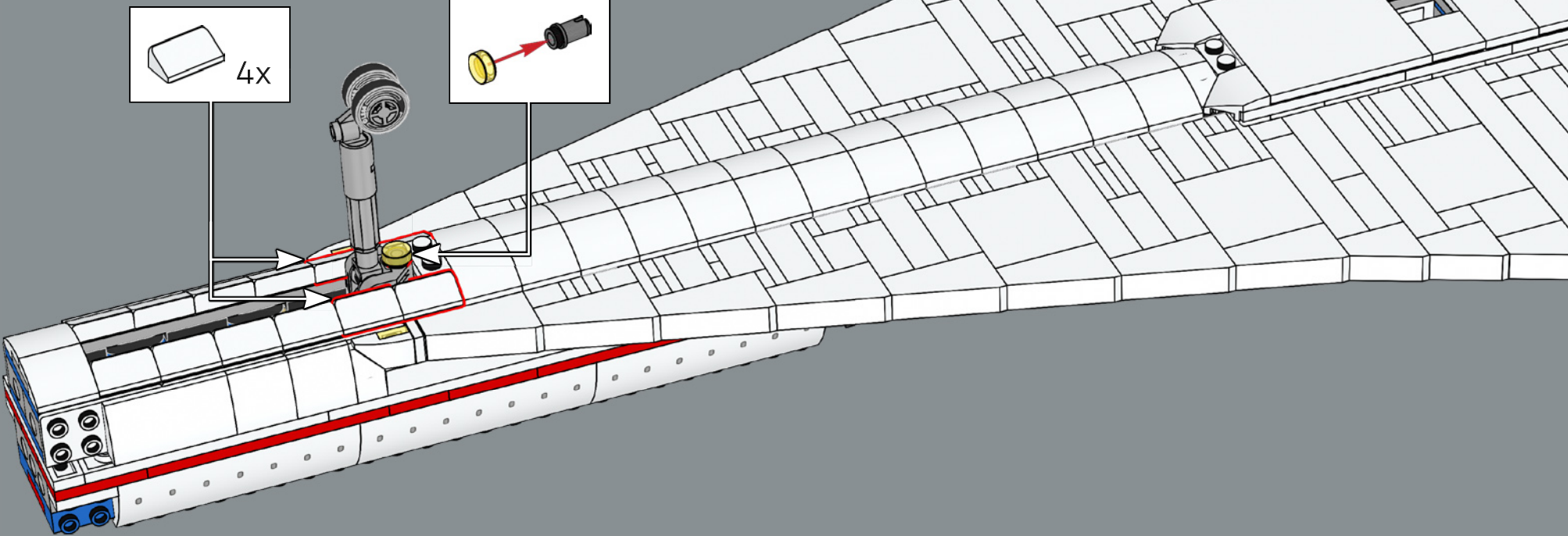


287



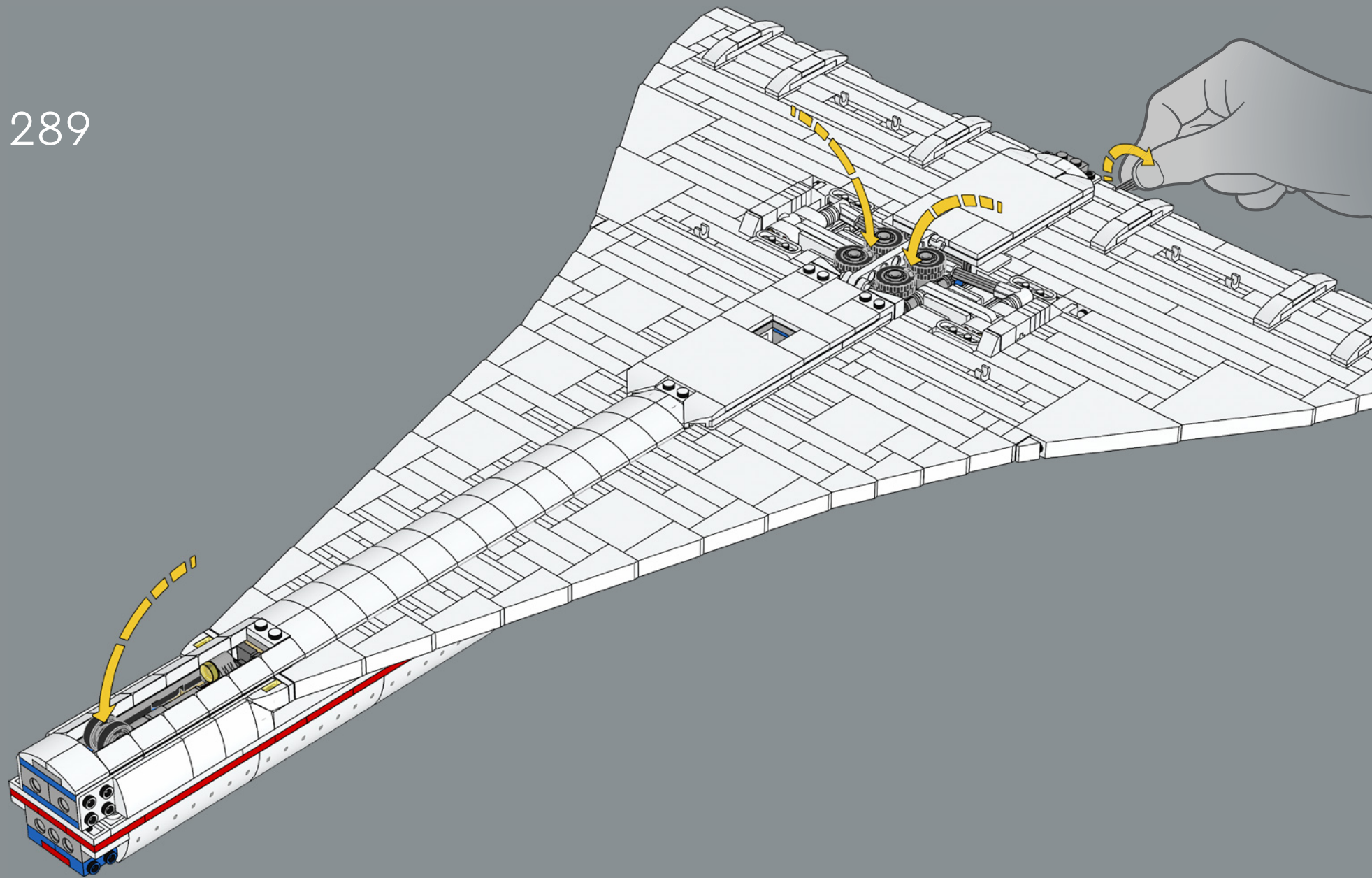


288



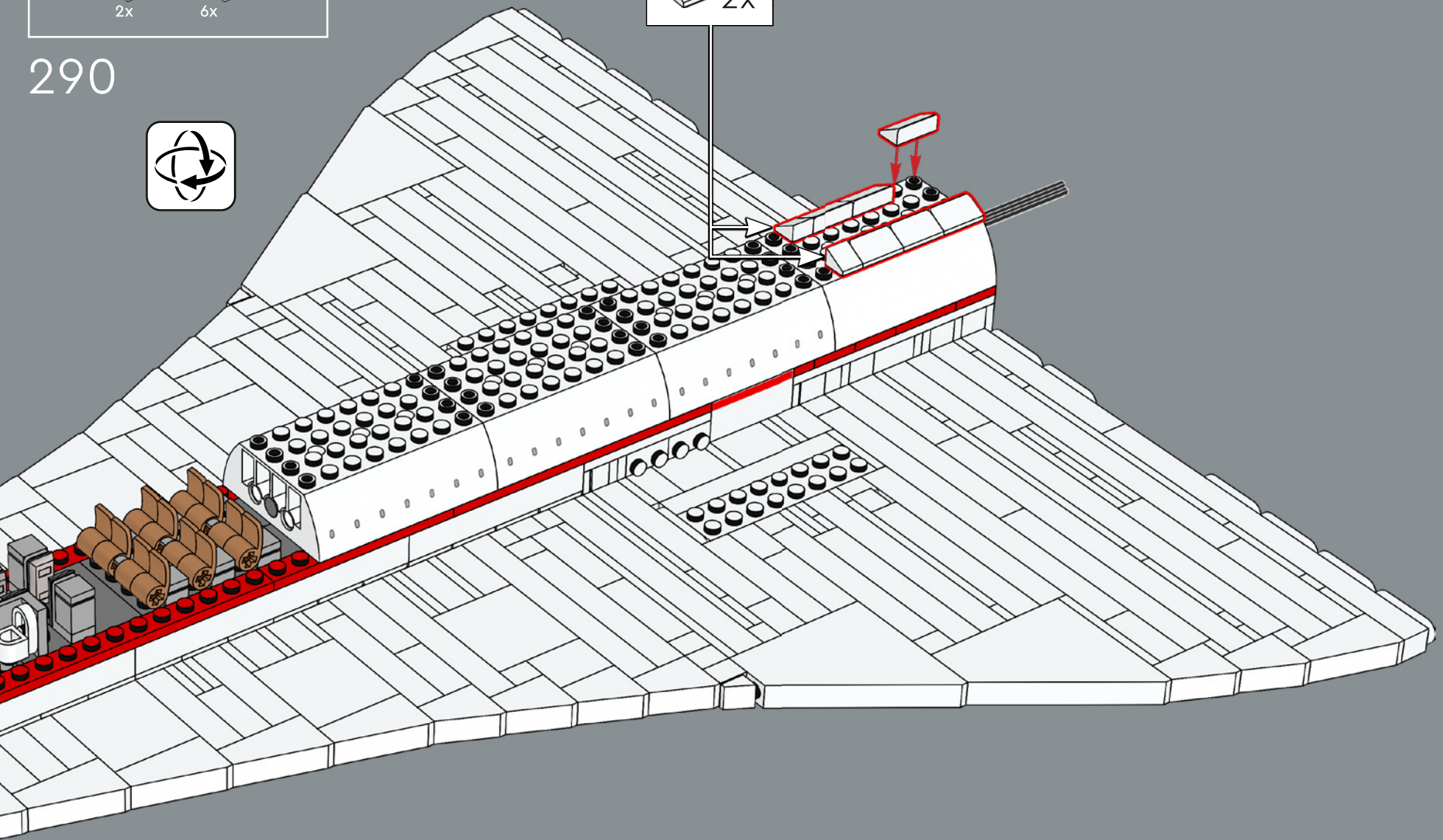


289

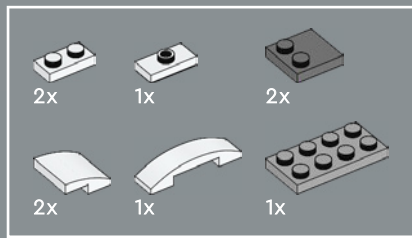




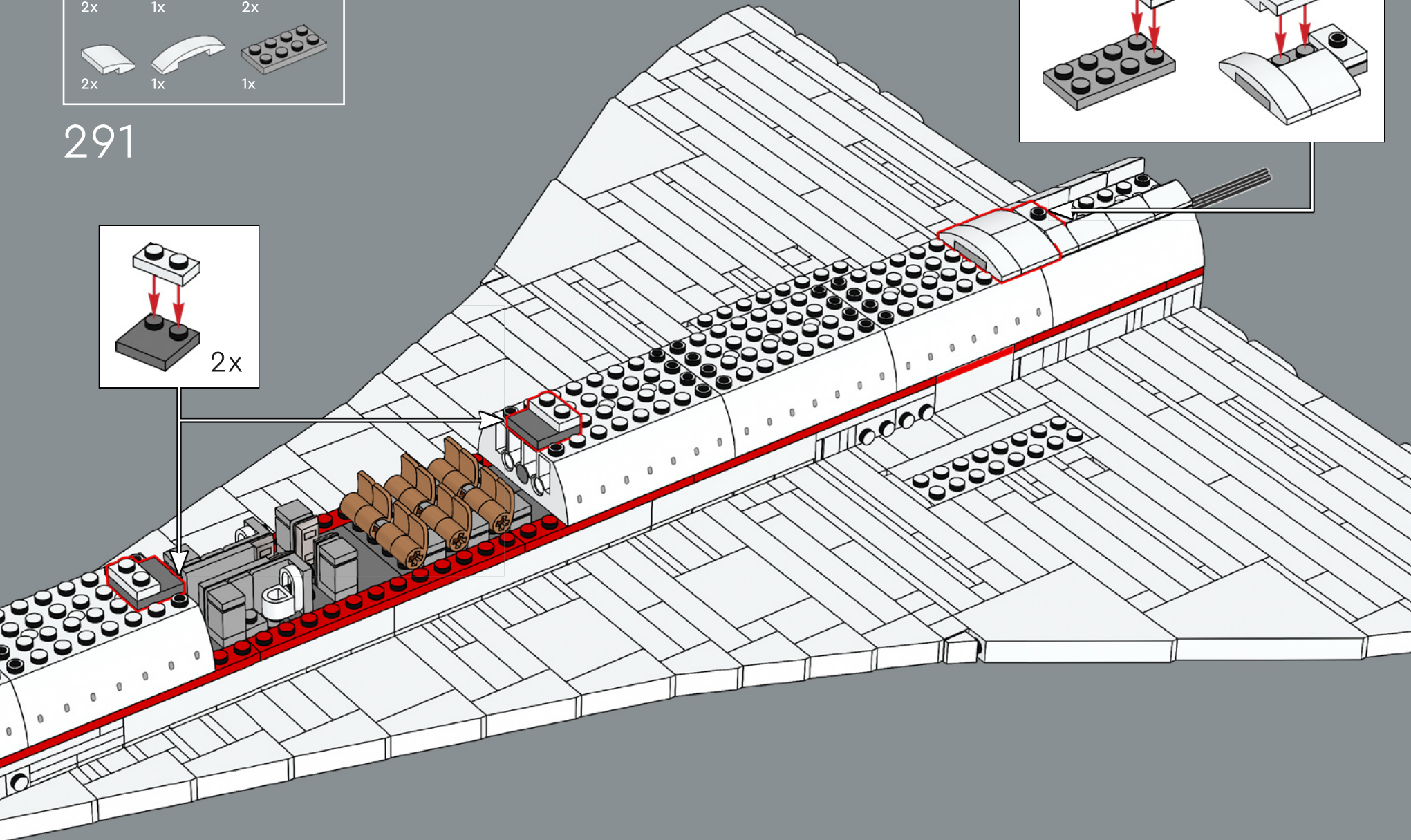
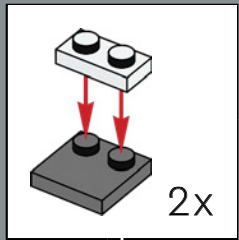
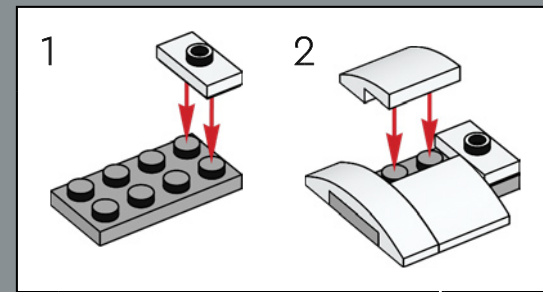
290



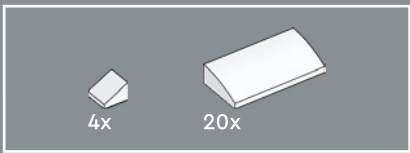




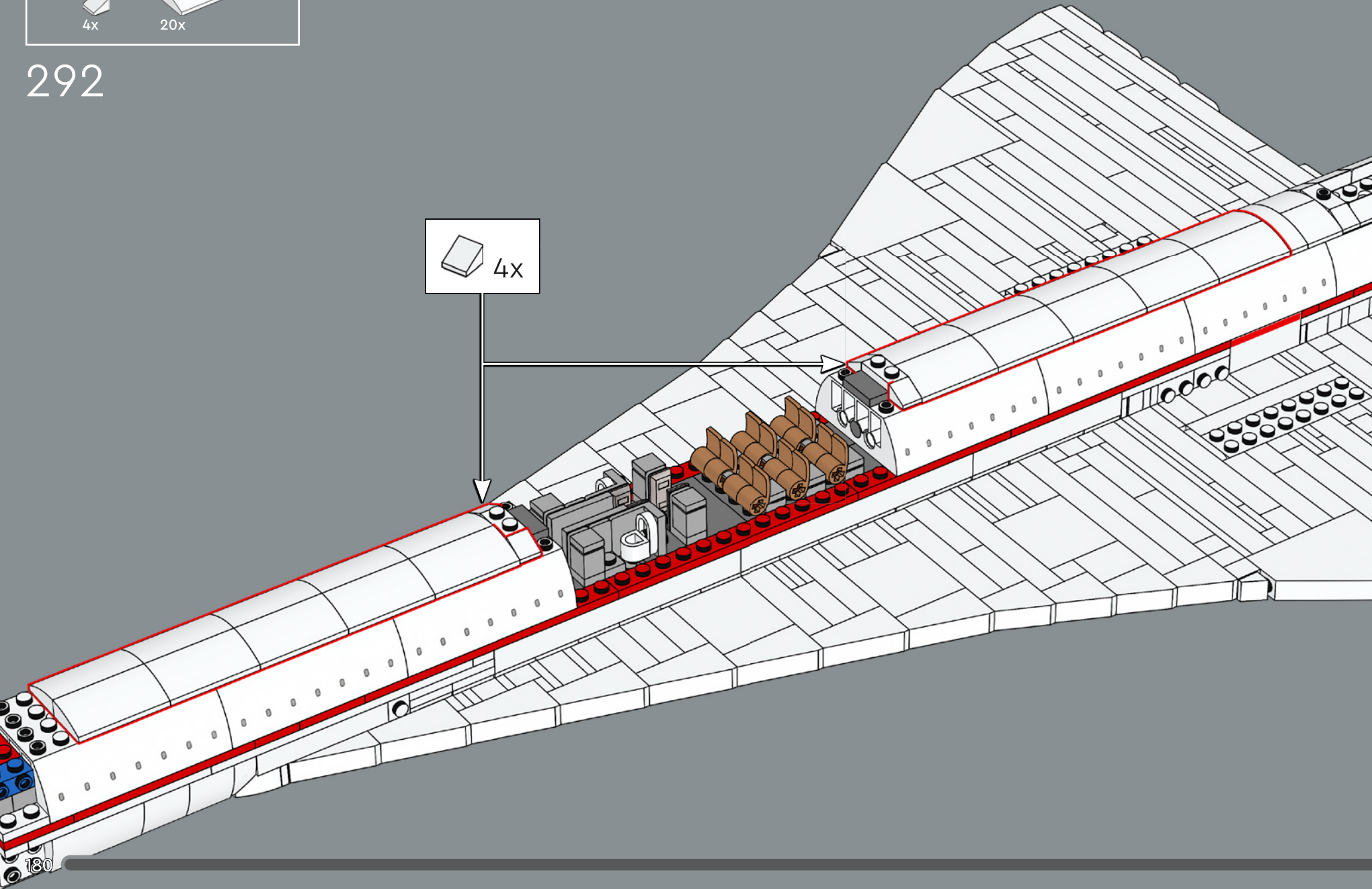
291

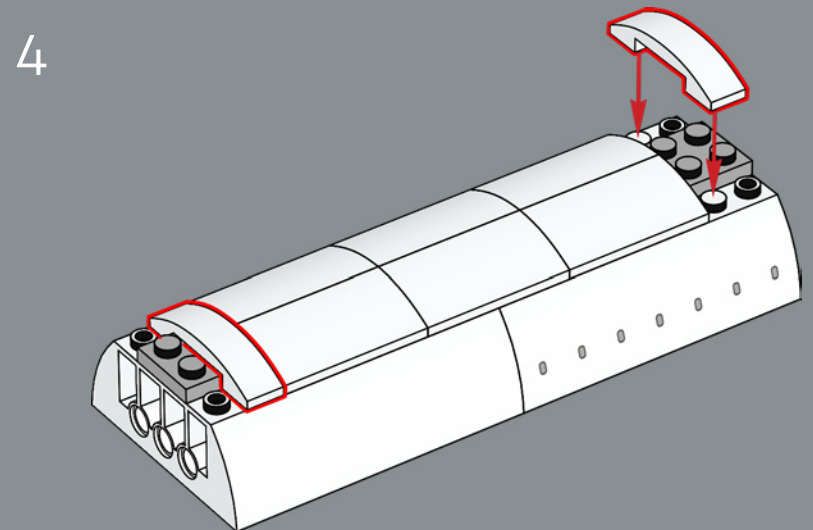
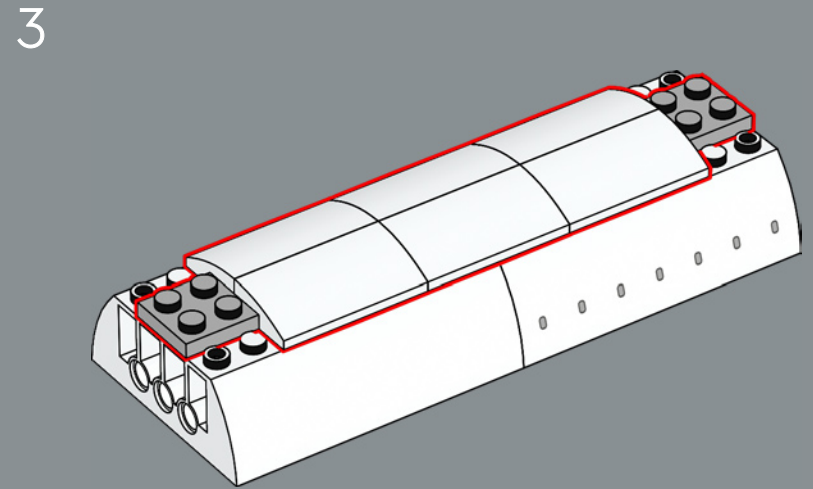
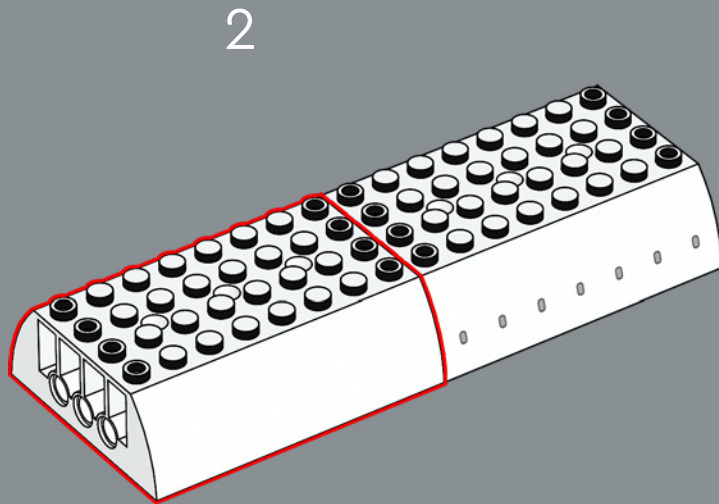
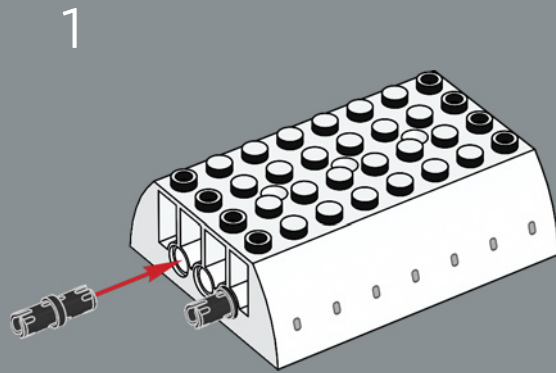
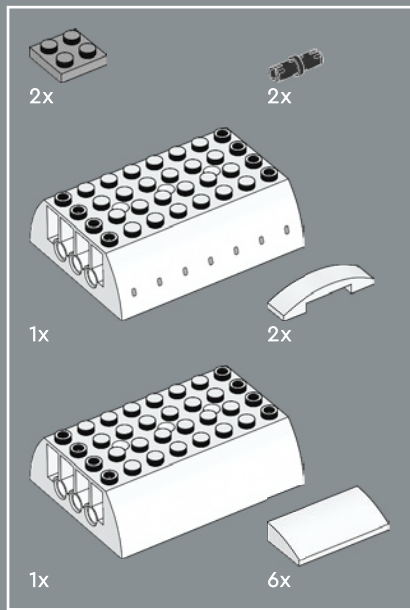




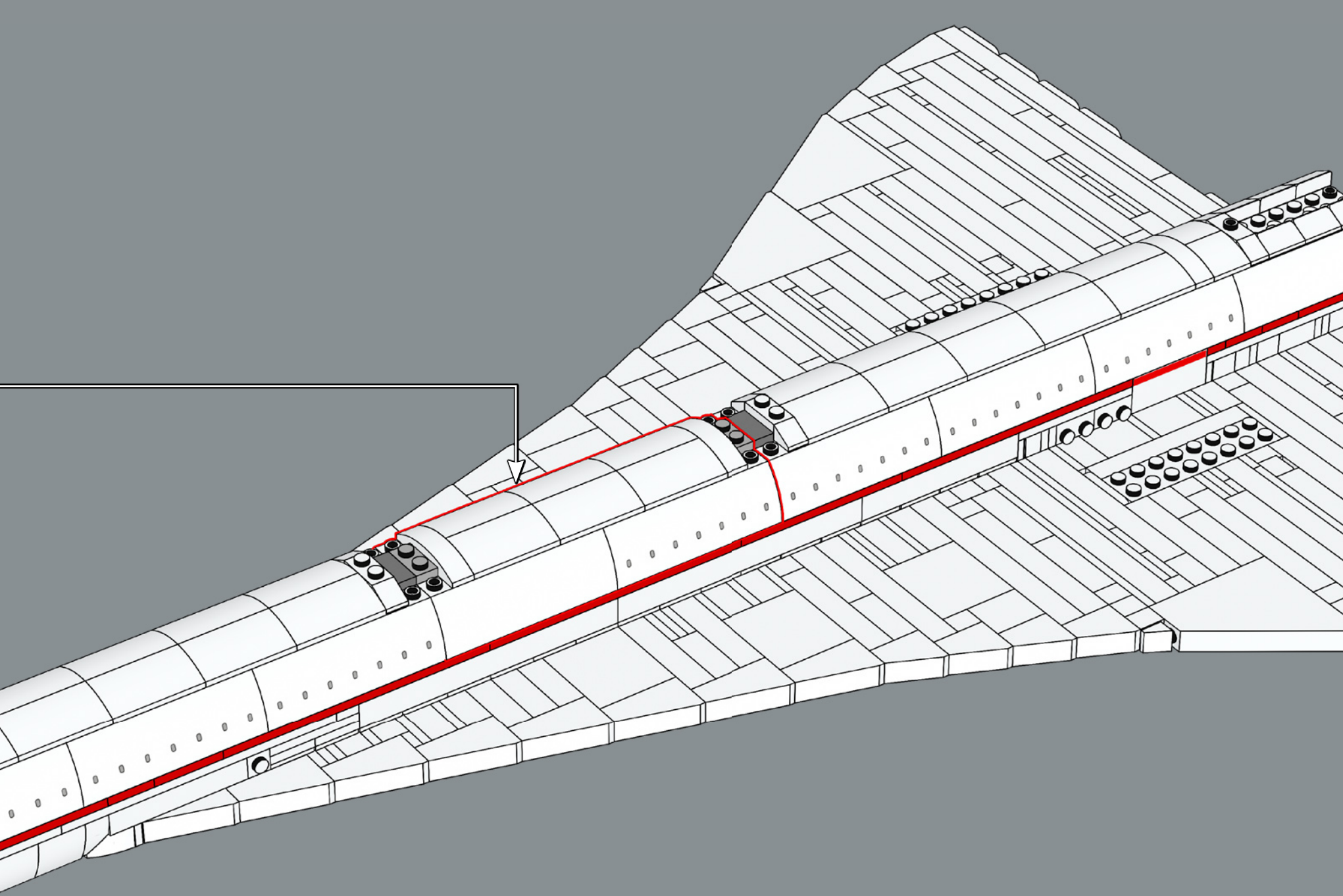


292





293



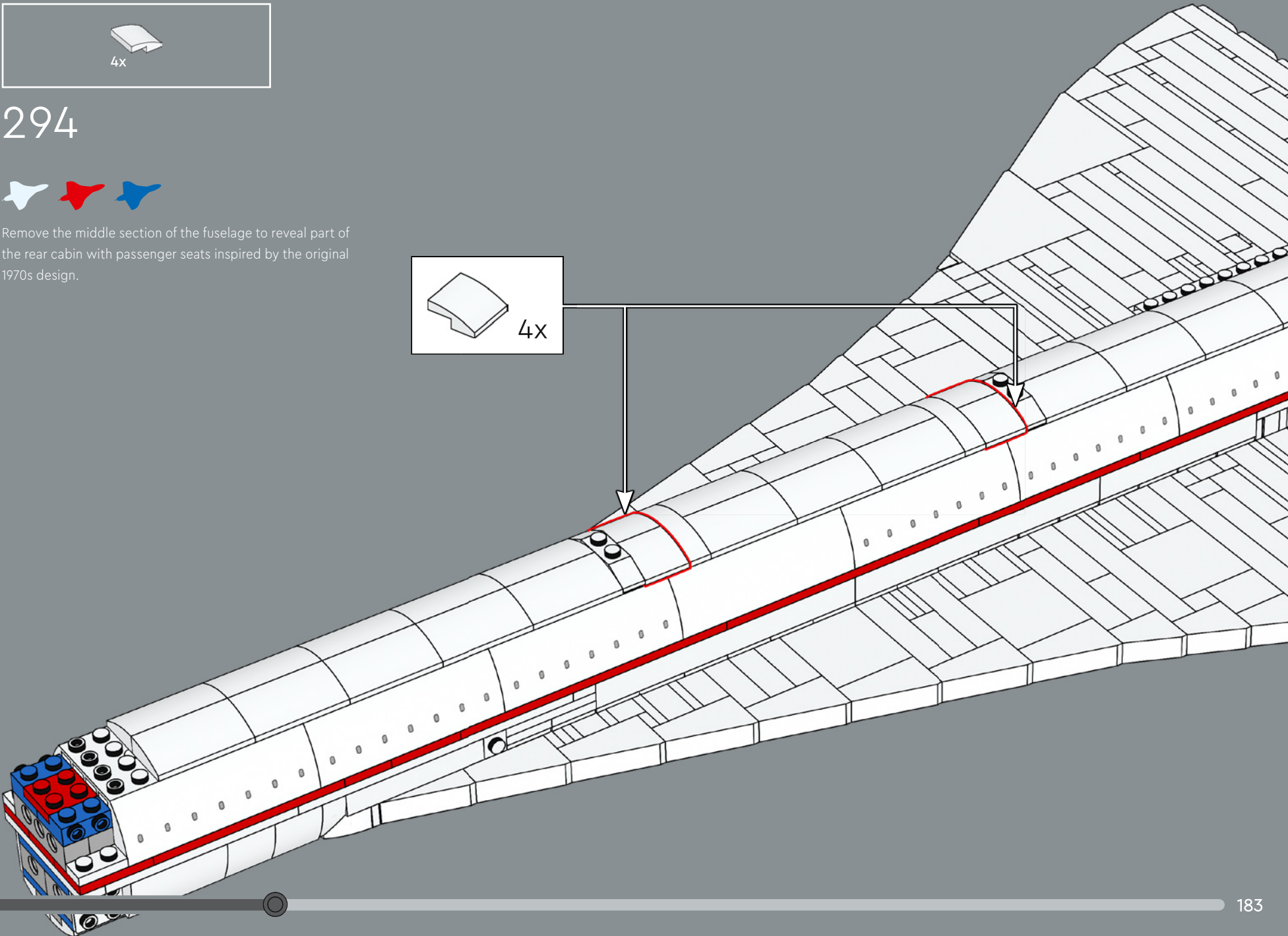
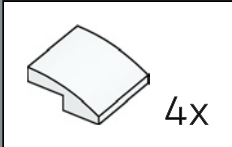


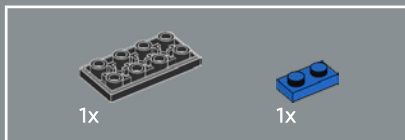
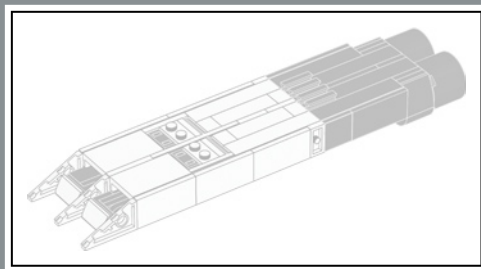


294

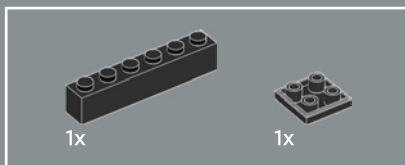
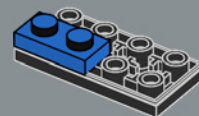


Remove the middle section of the fuselage to reveal part of the rear cabin with passenger seats inspired by the original 1970s design.

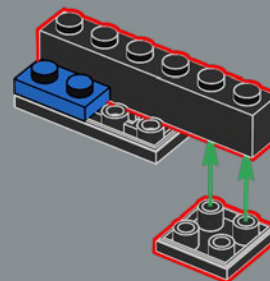


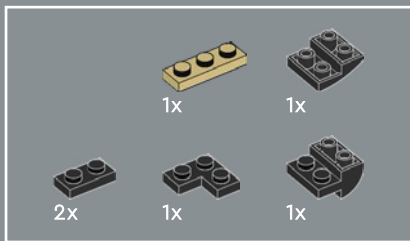


295

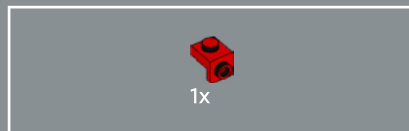
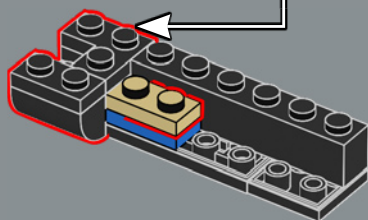
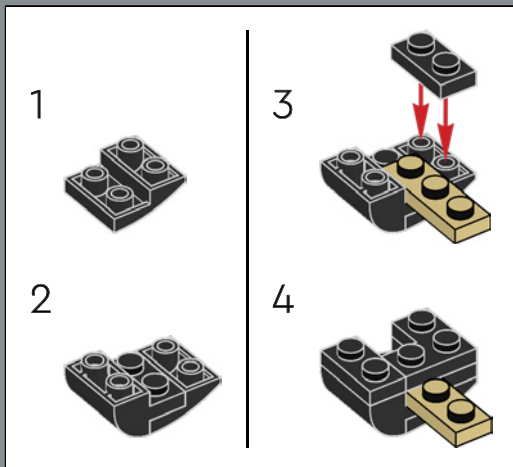


296

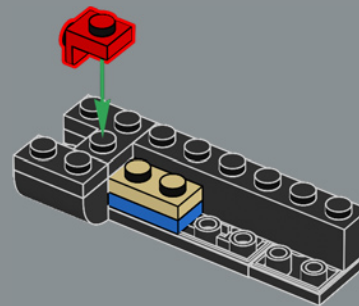




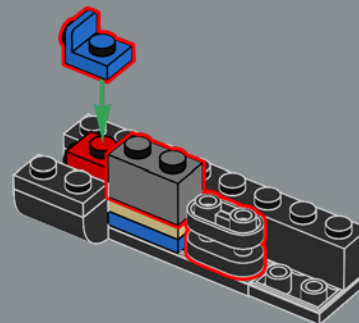
297



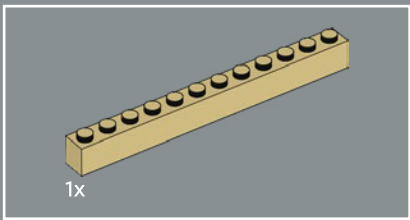
298



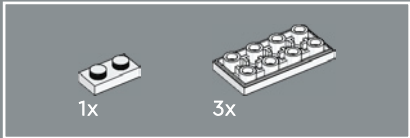
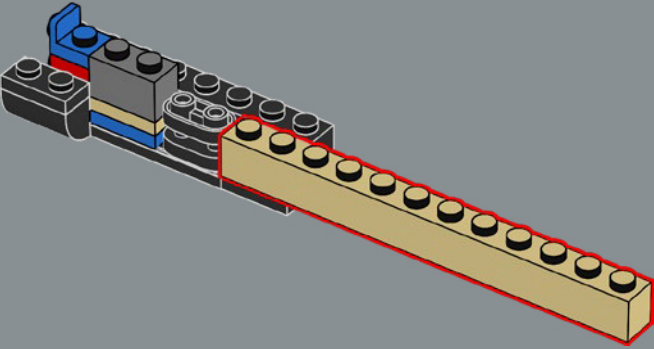
299



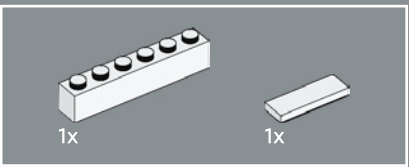
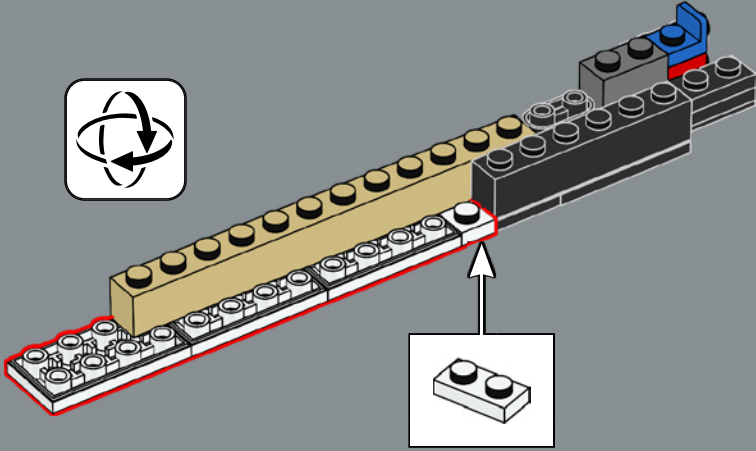




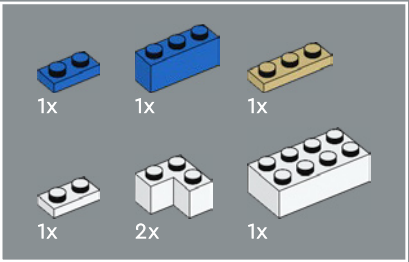
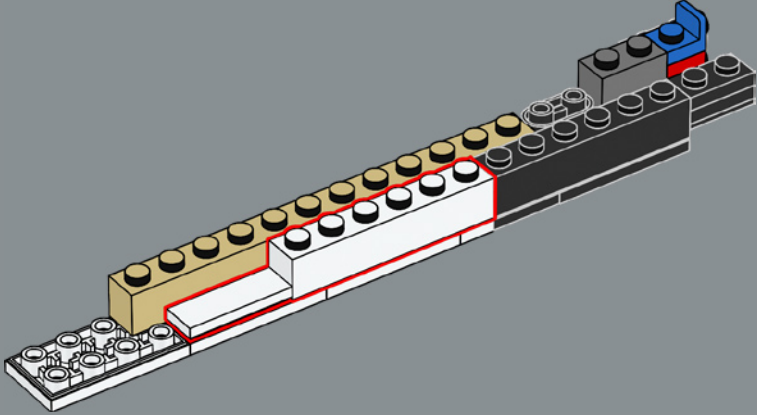
300



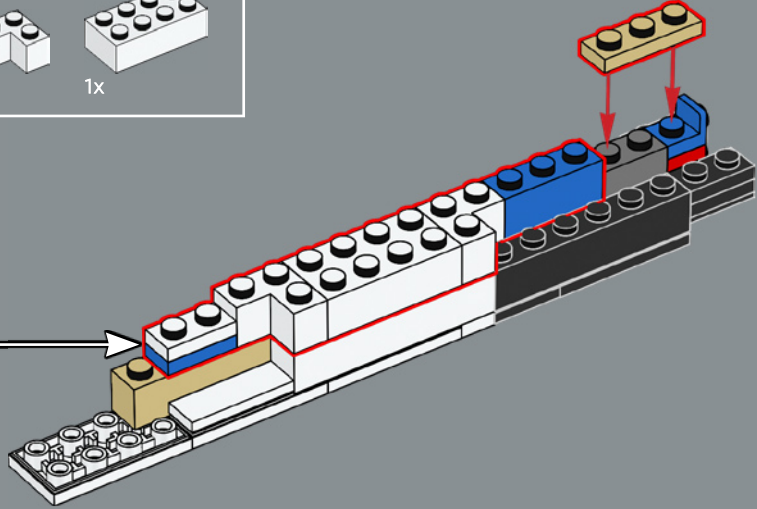
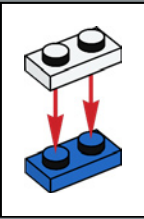
301

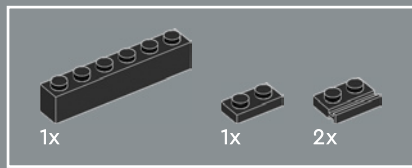


302

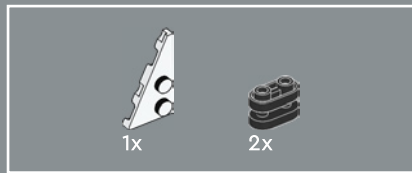
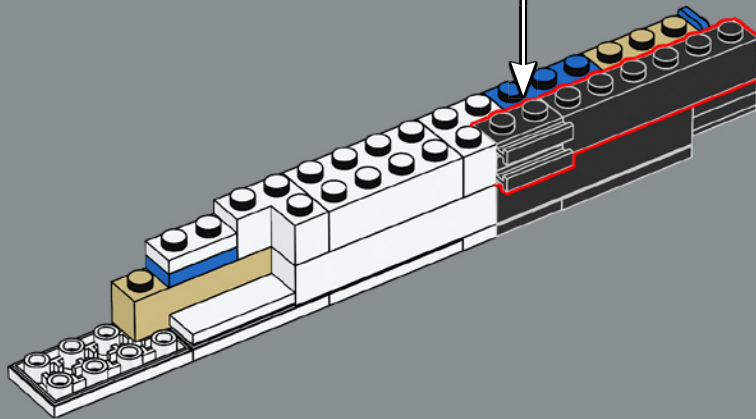
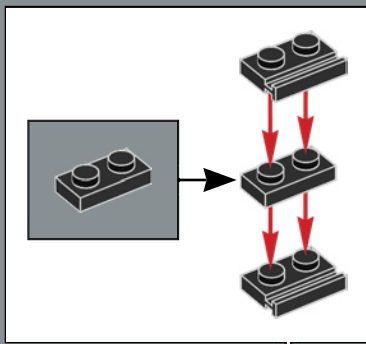


303

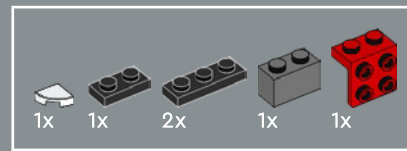
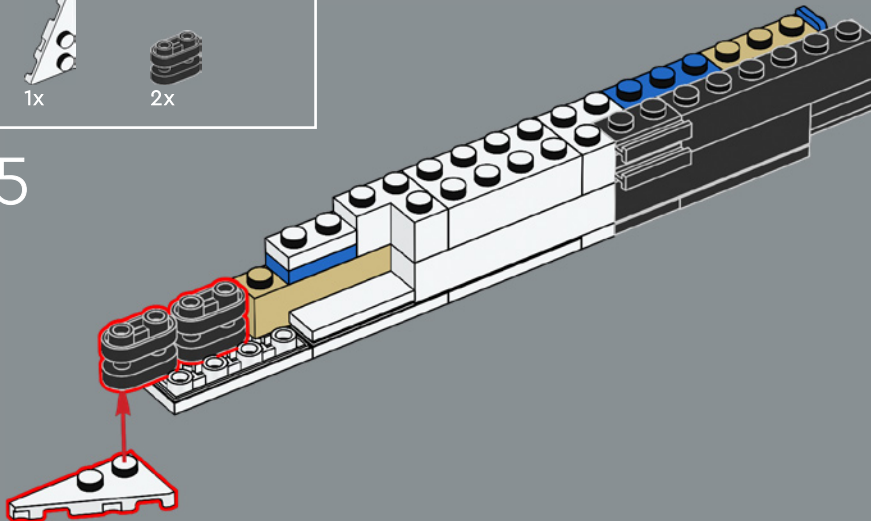




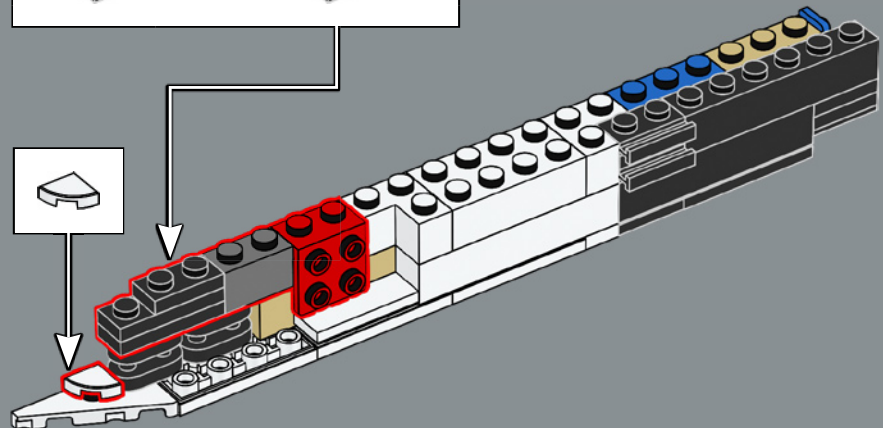
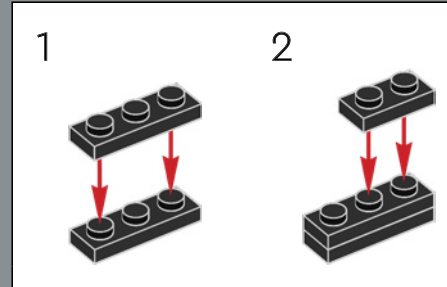
304

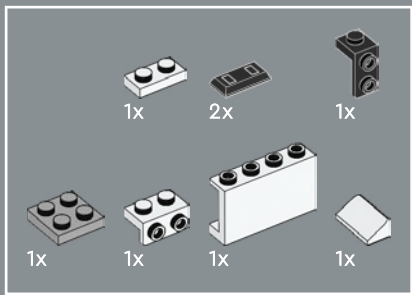


305

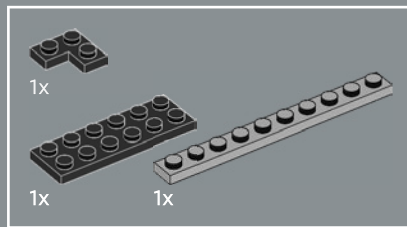
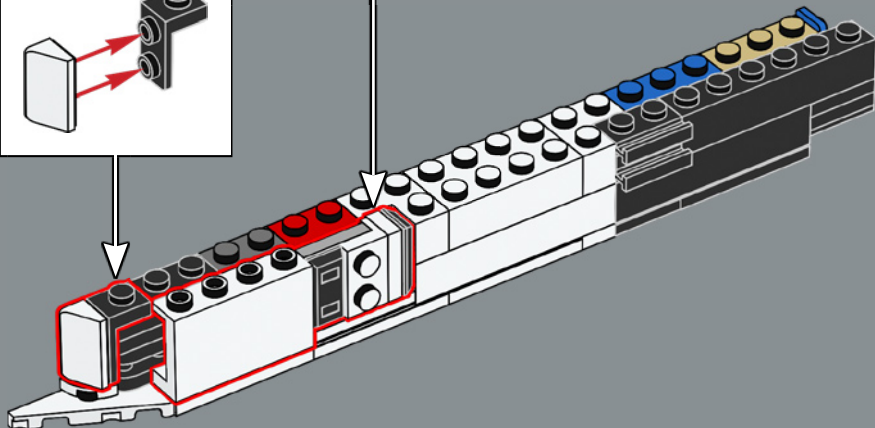
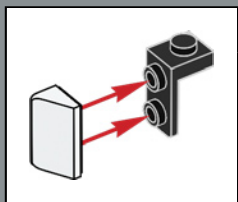
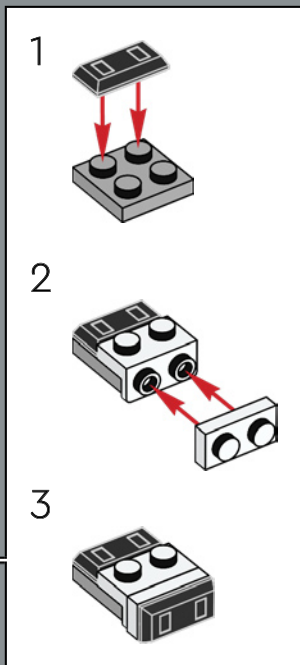


306

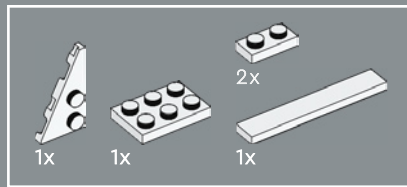
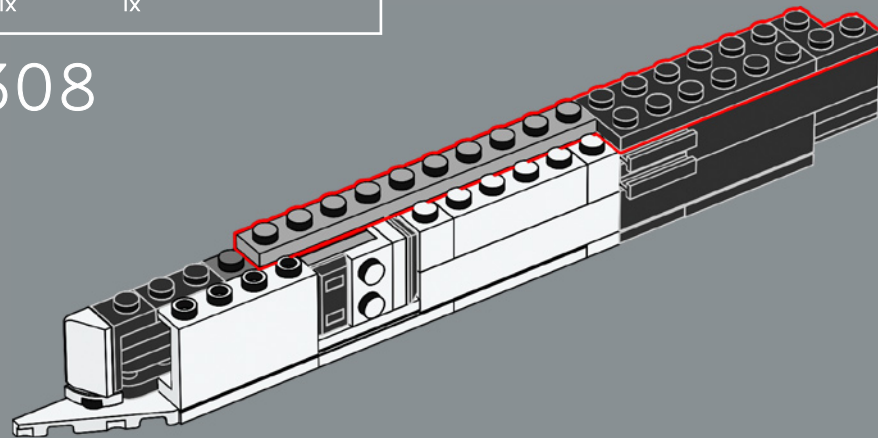




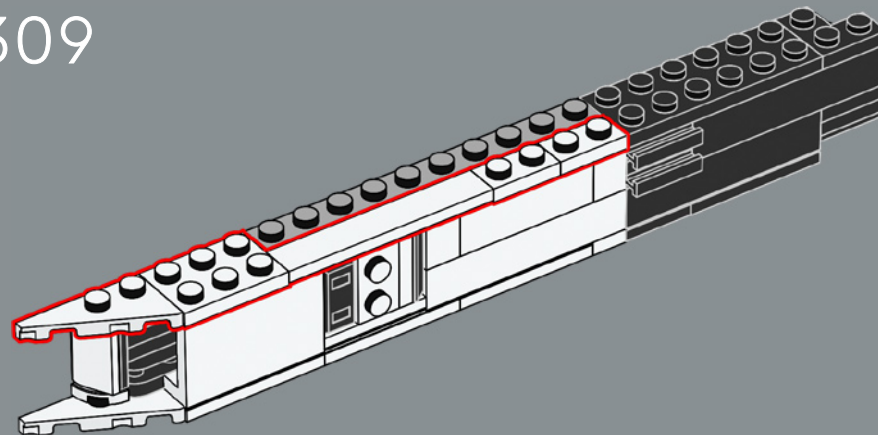
307



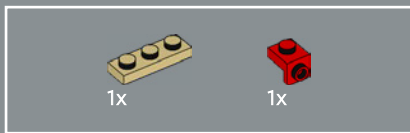
308



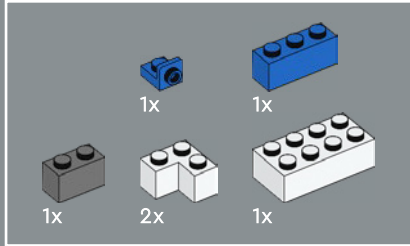
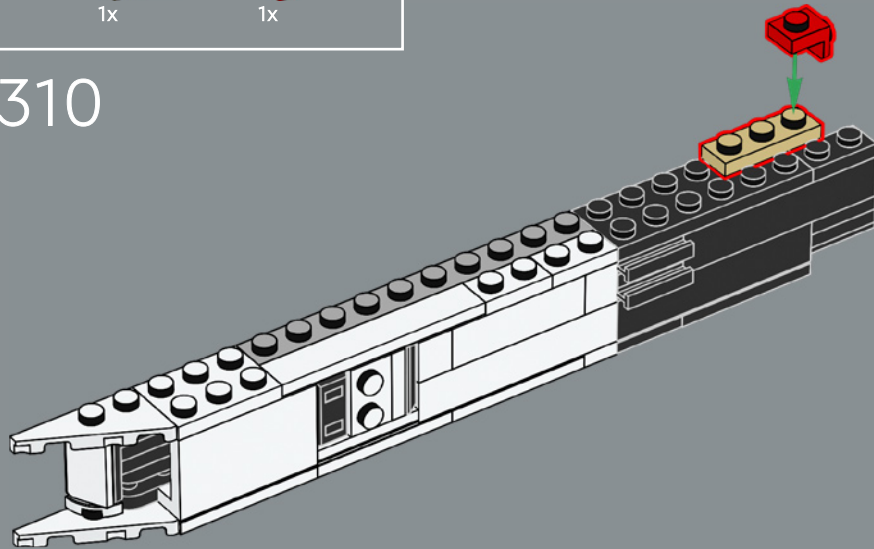
309



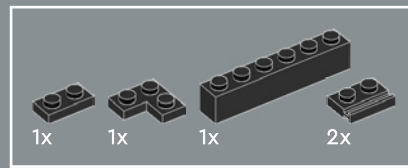
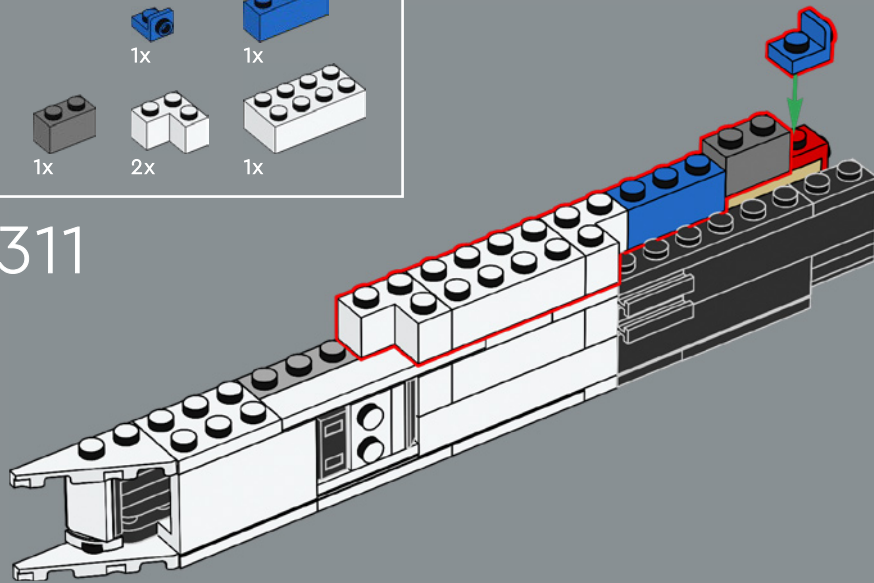




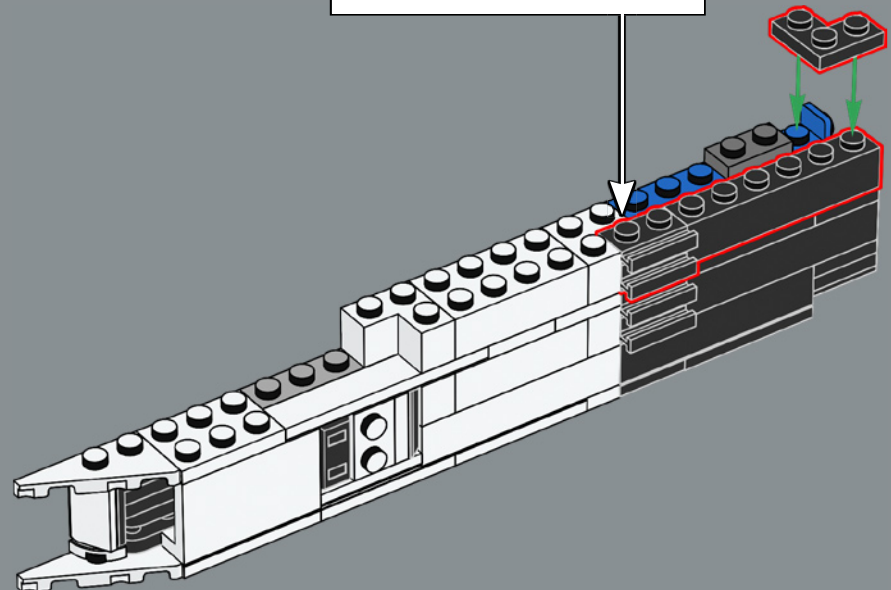
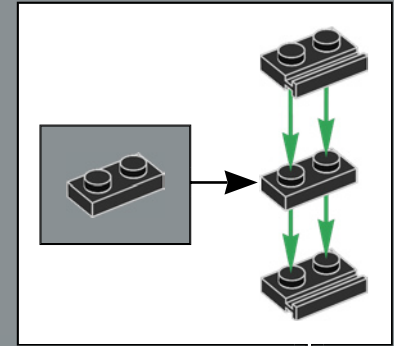
310

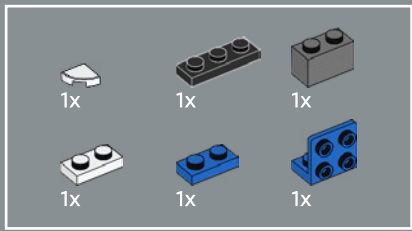


311

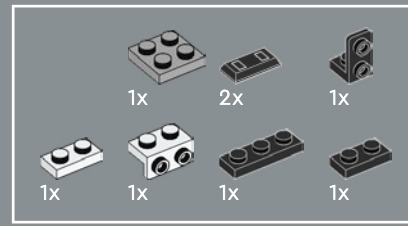
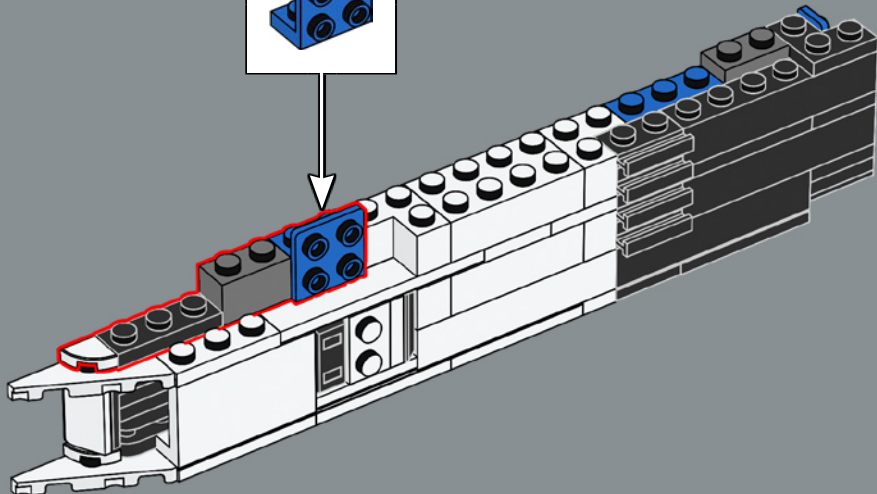
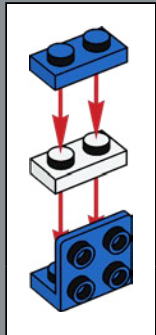


312

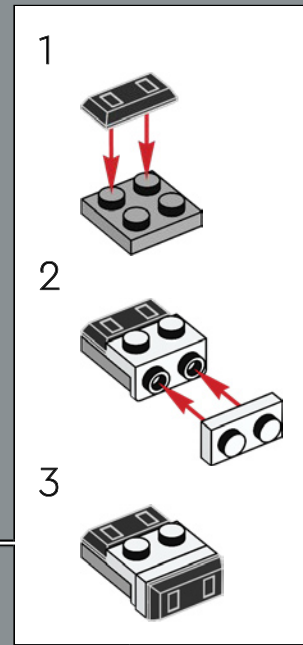
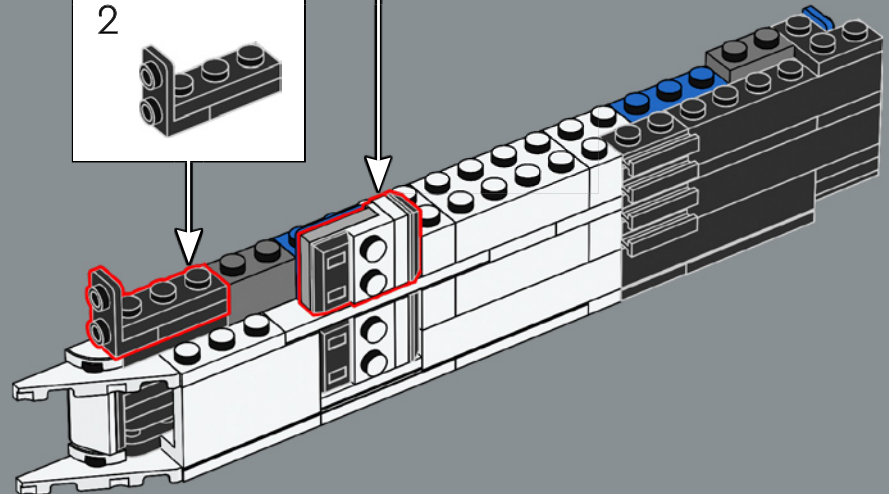
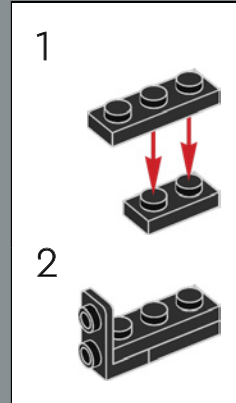


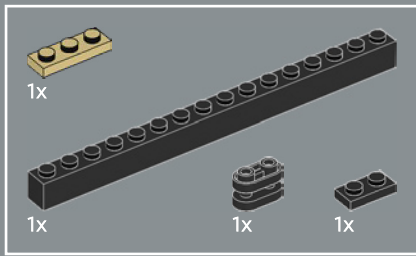


313

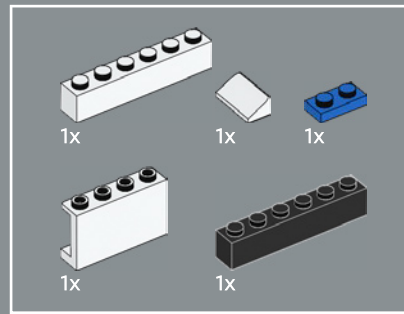
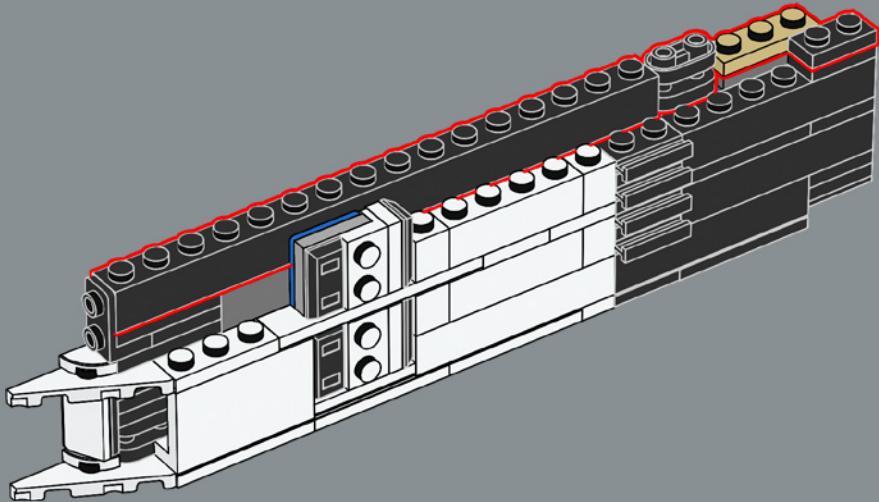


314

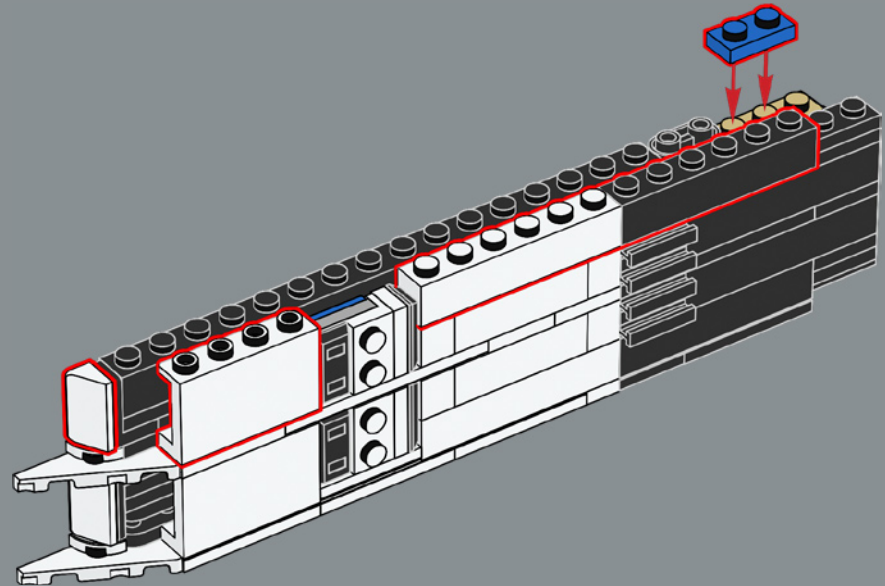




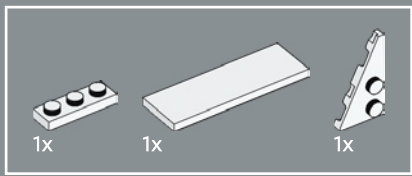
315



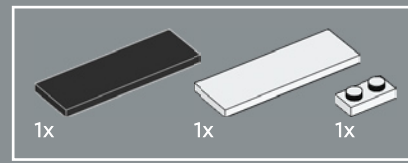
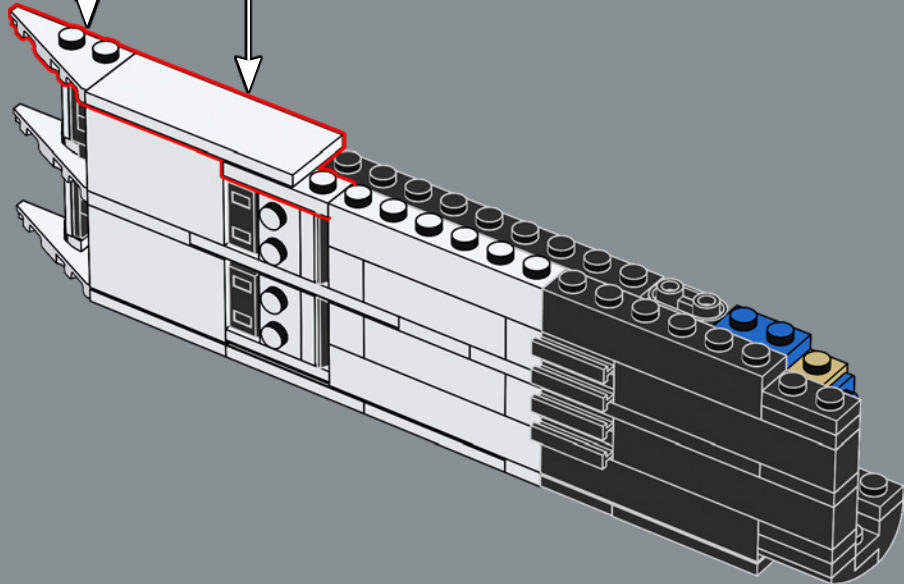
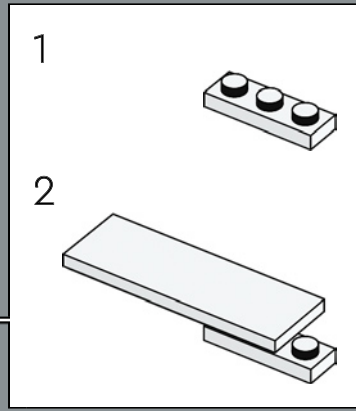
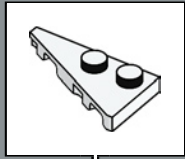
316



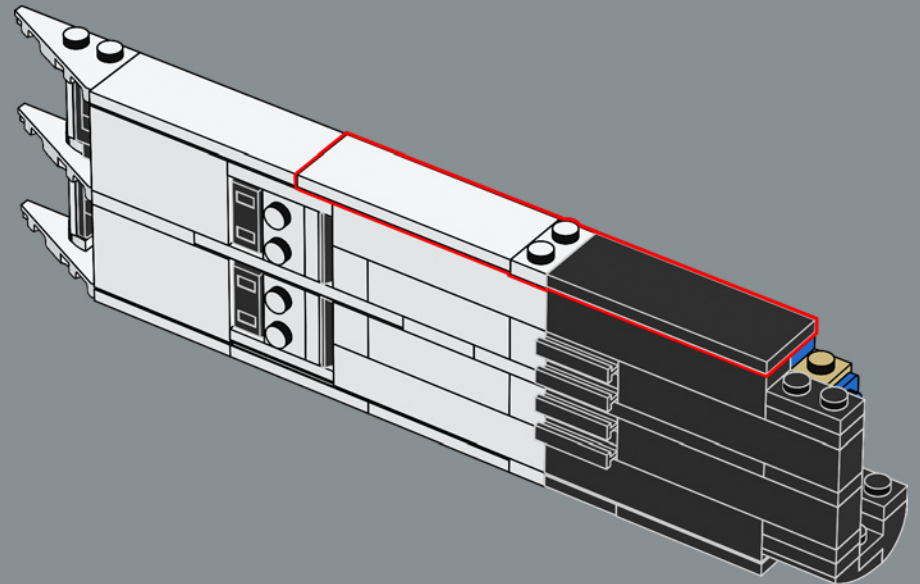




317

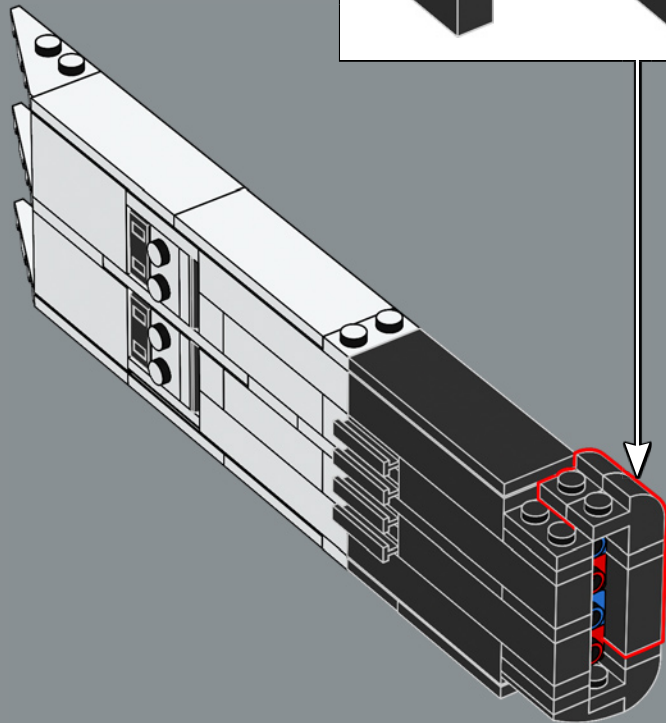
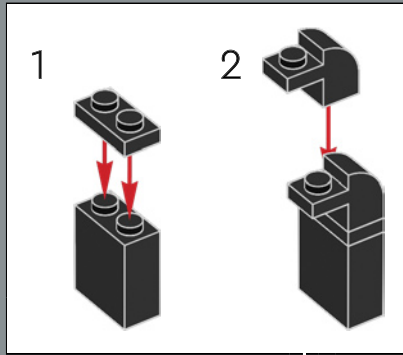


318

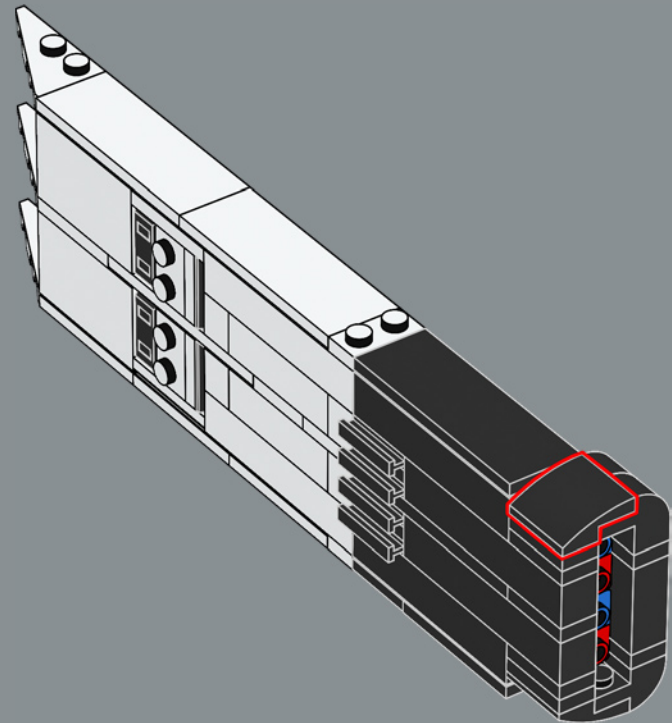




319

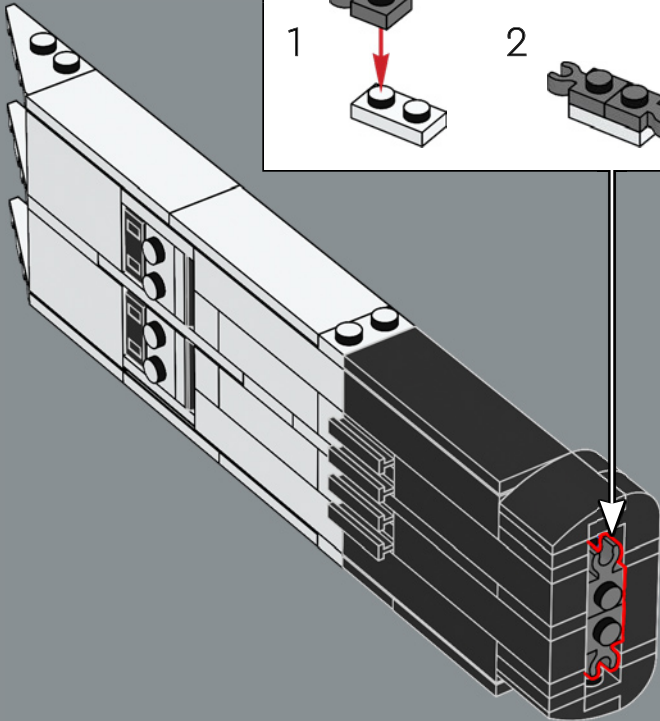
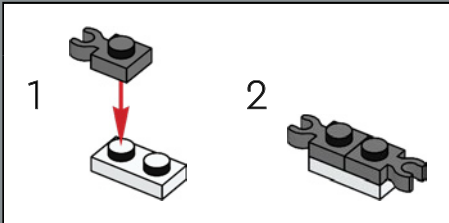


320

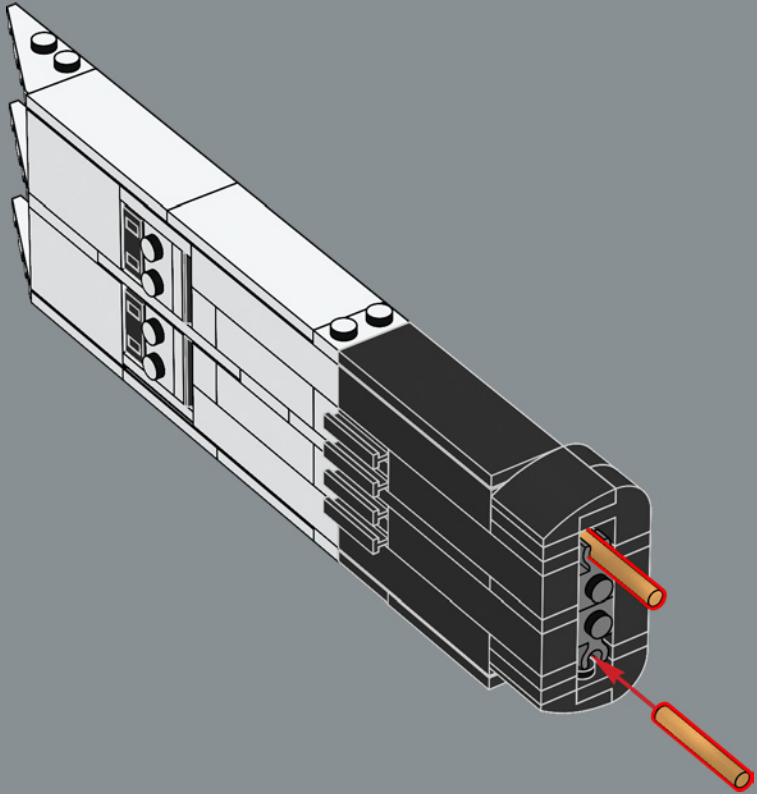




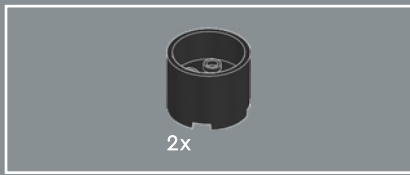
321



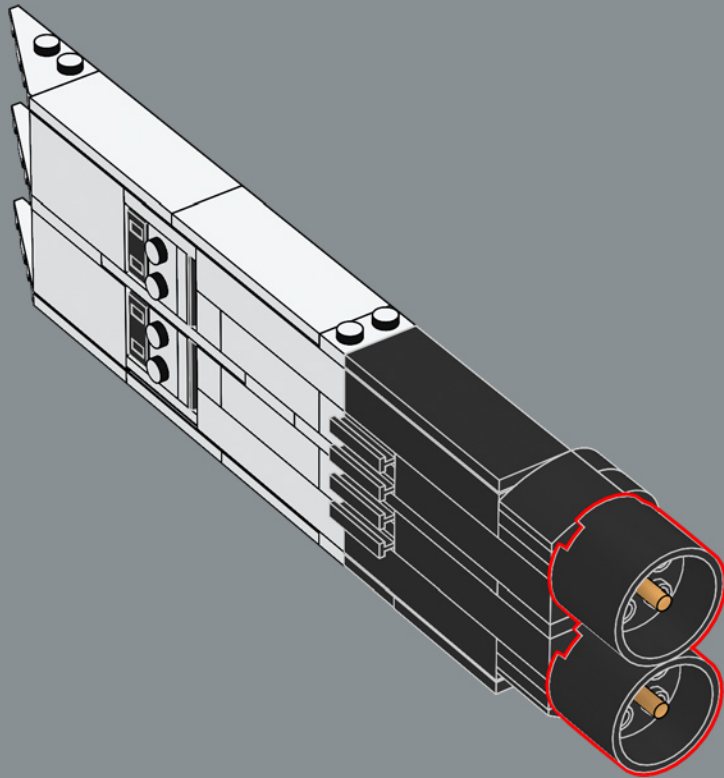
322



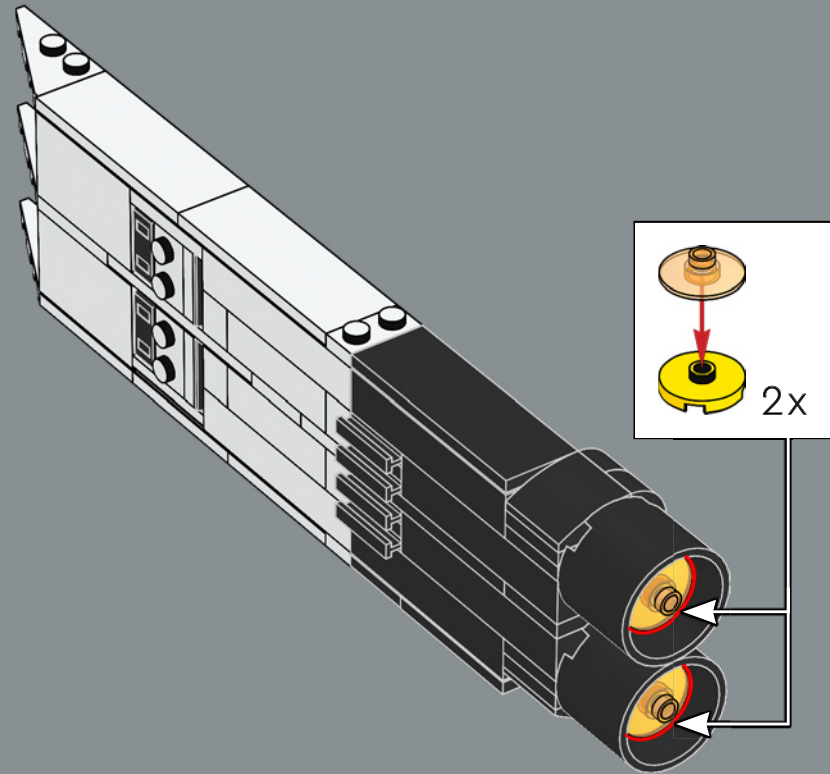




323

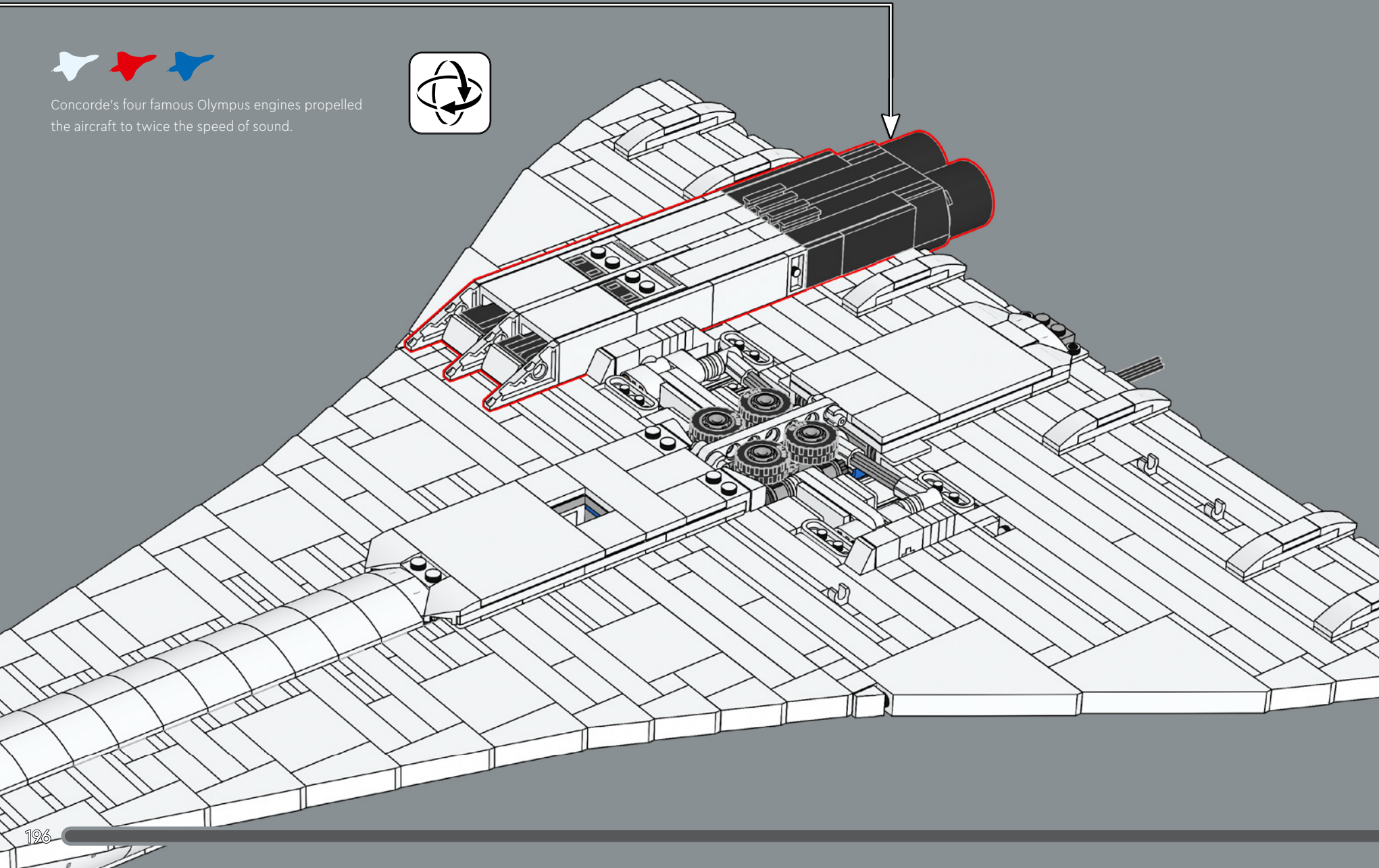


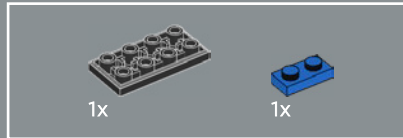
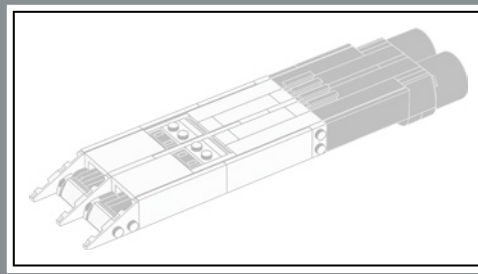
324



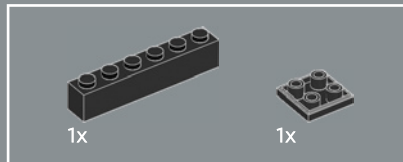
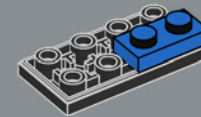


Concorde's four famous Olympus engines propelled the aircraft to twice the speed of sound.

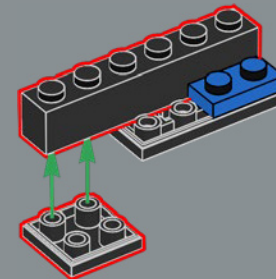


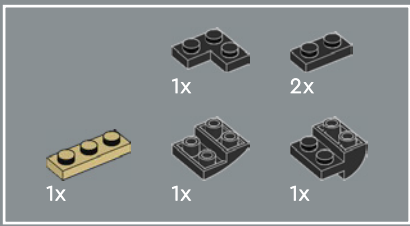


326

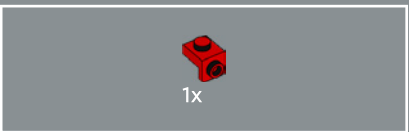
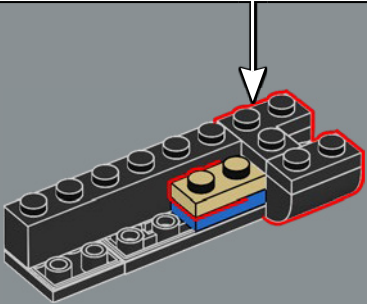
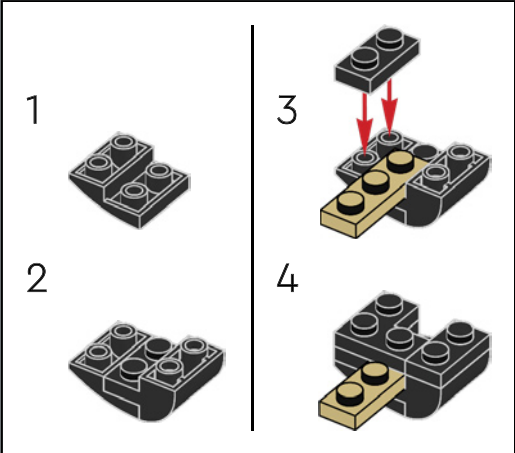


327

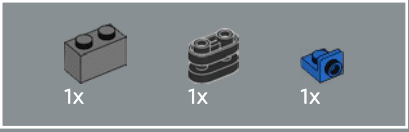
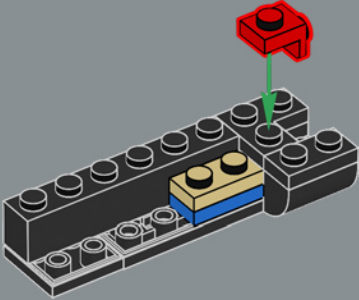




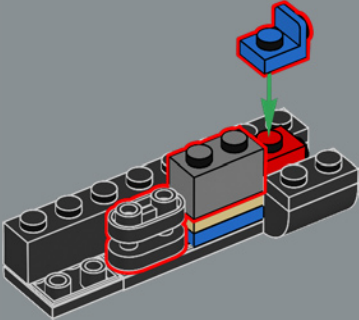
328



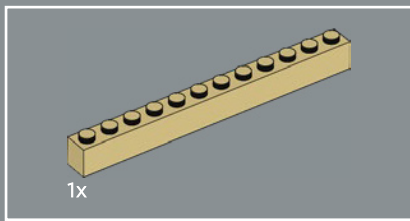
329



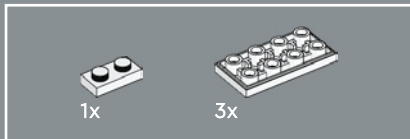
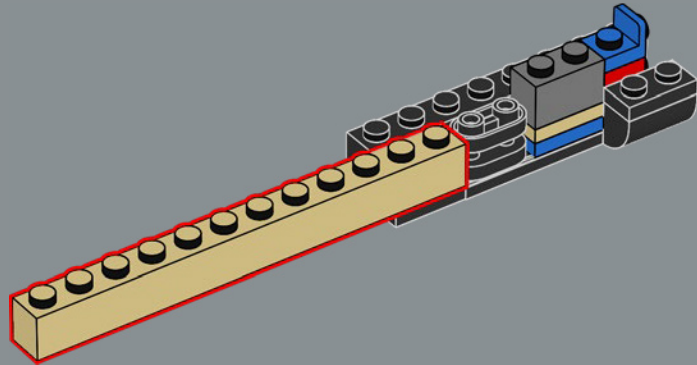
330



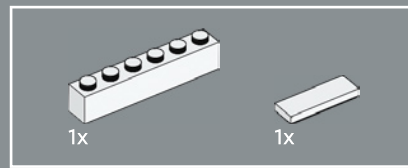
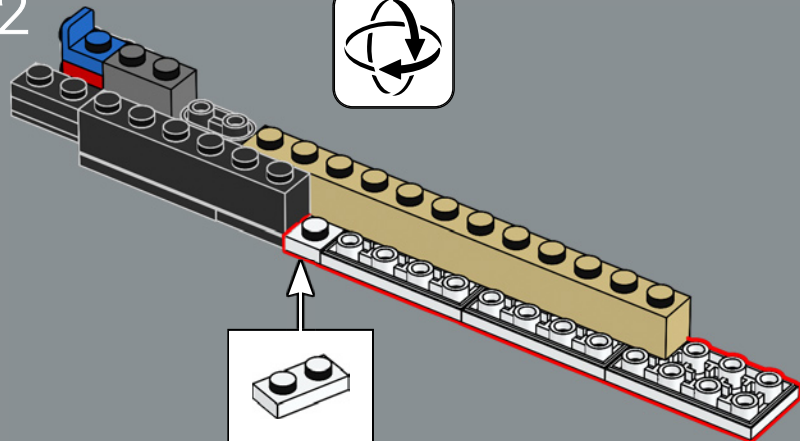




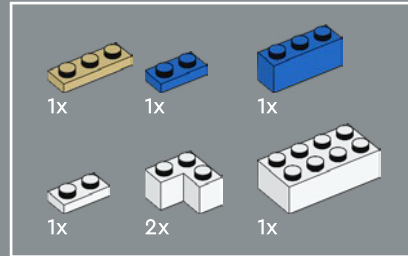
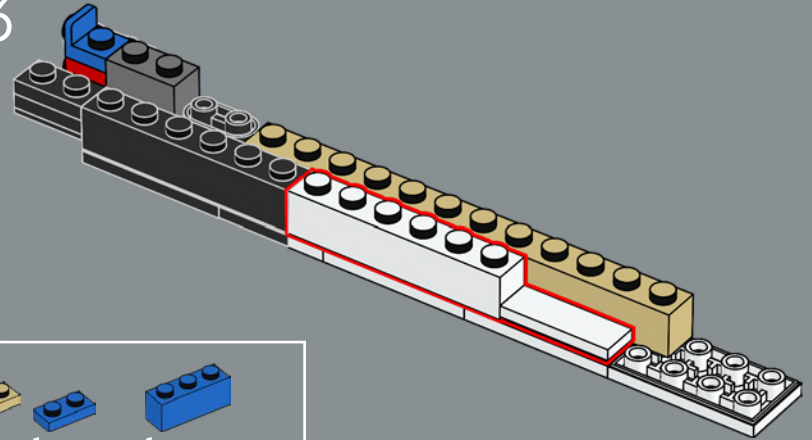
331



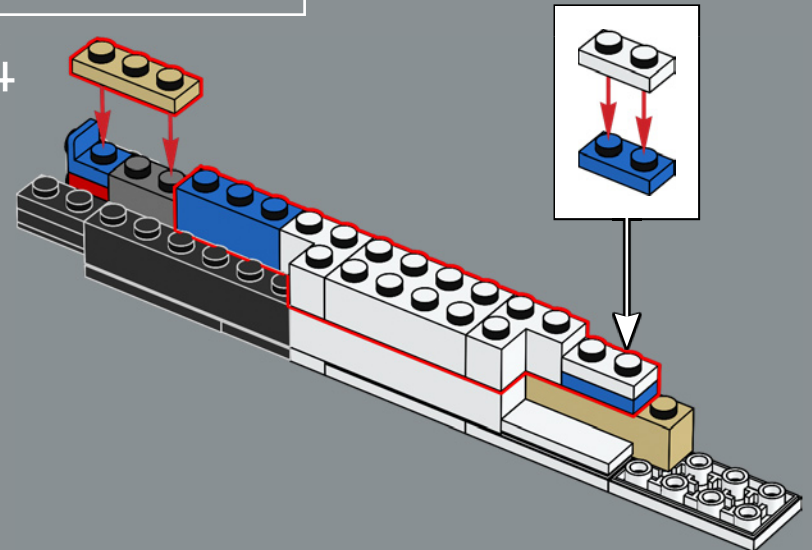
332

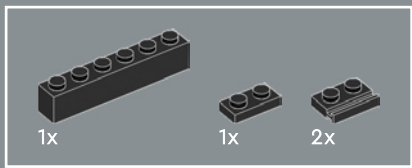


333

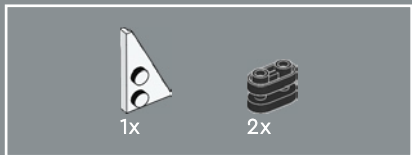
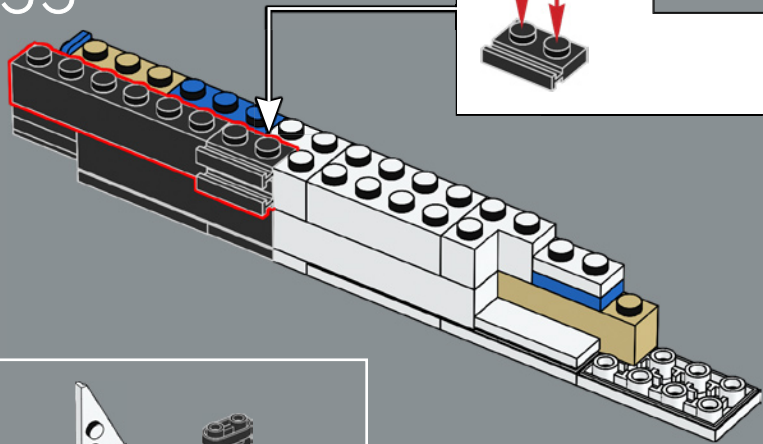
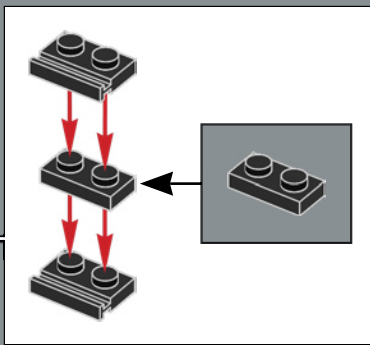


334

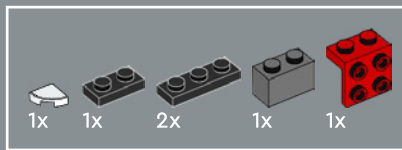
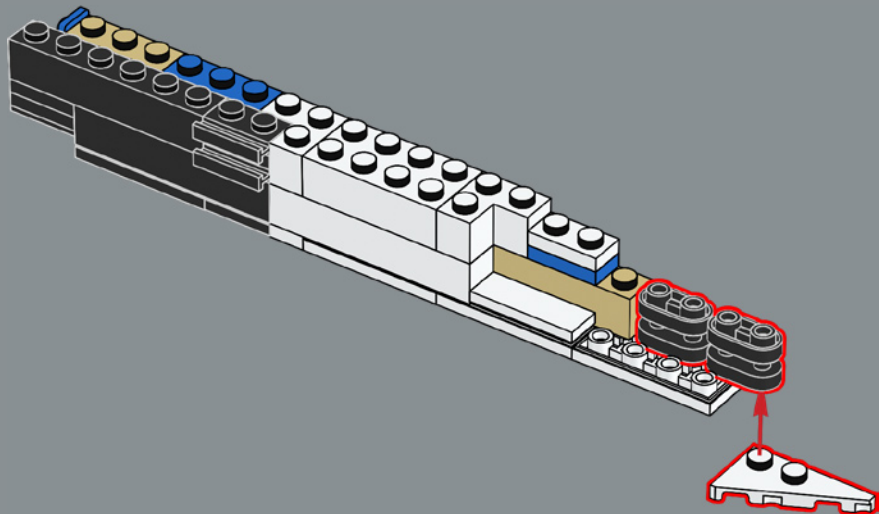




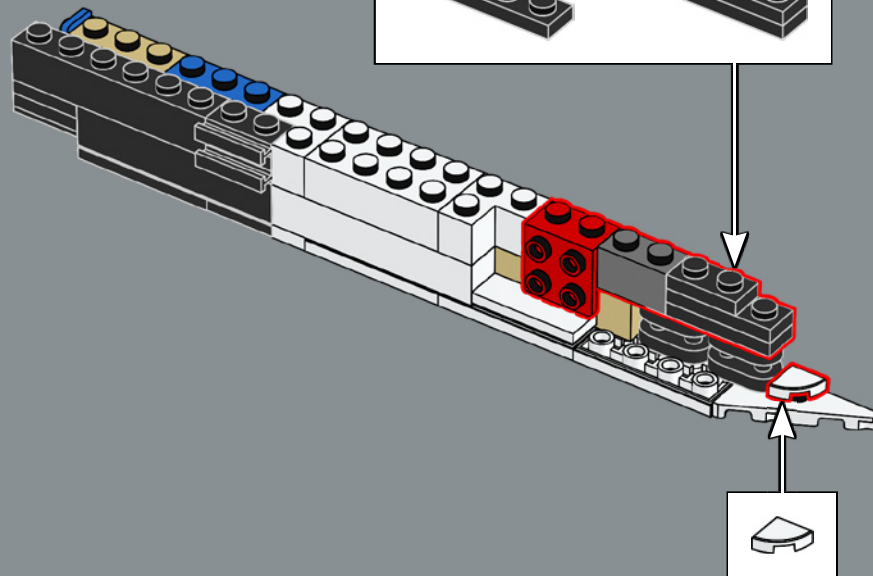
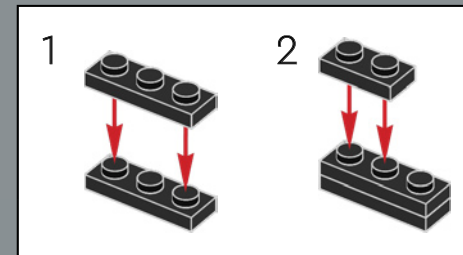
335

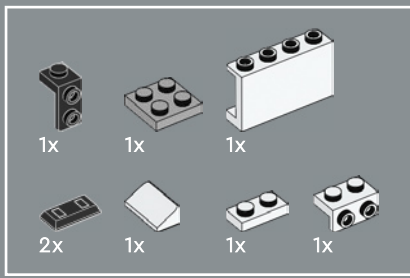


336

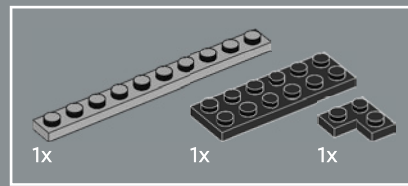
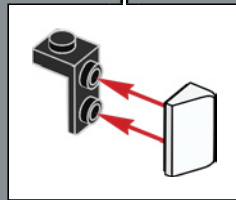
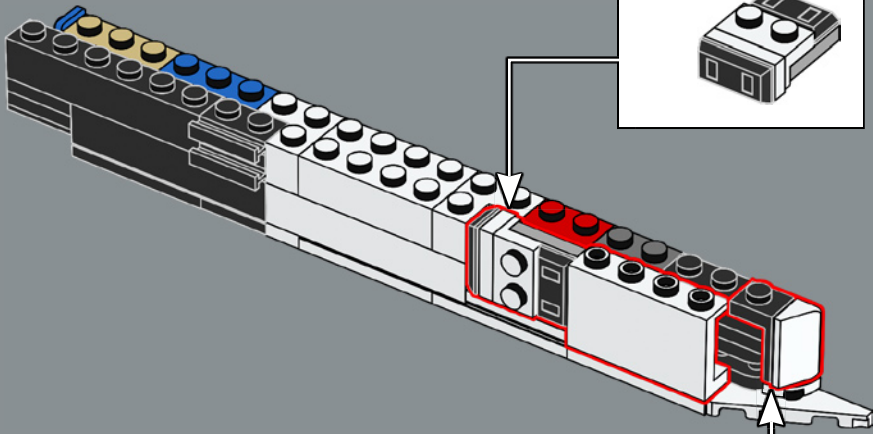
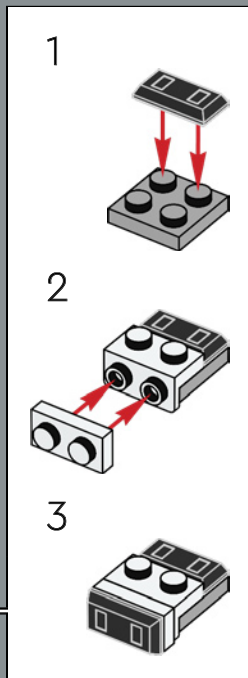


337

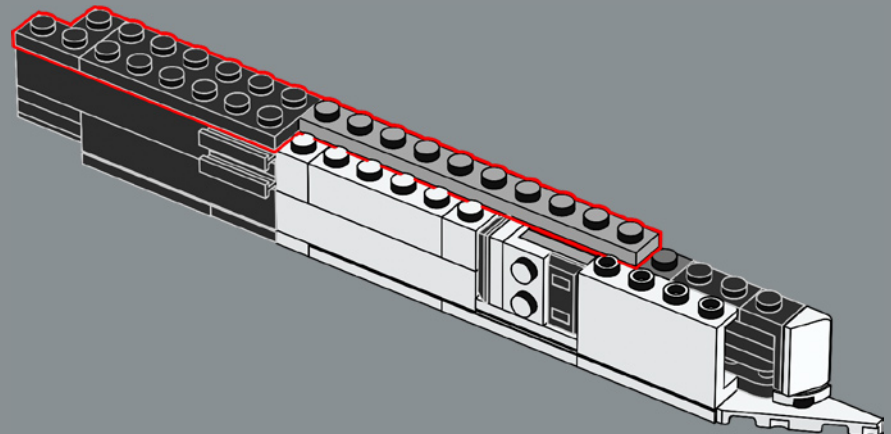


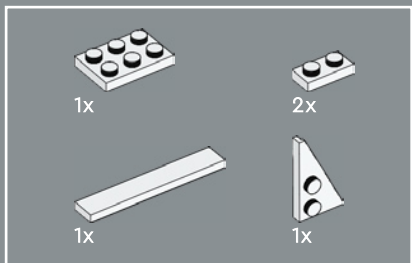


338

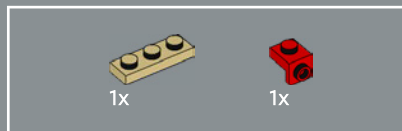
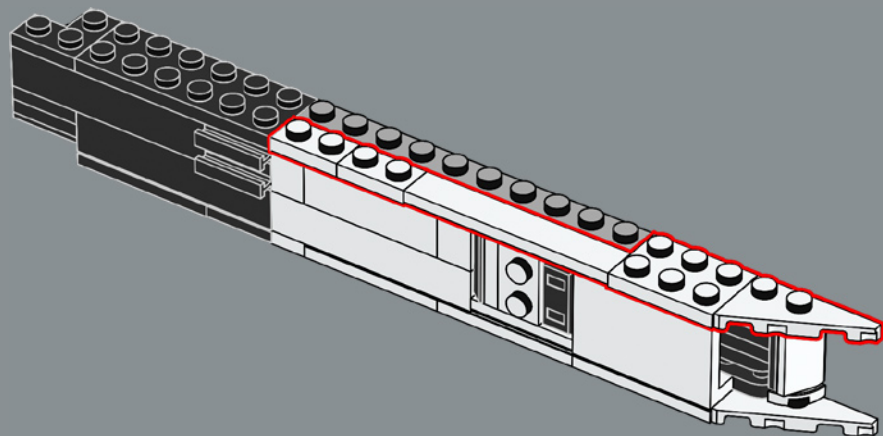


339

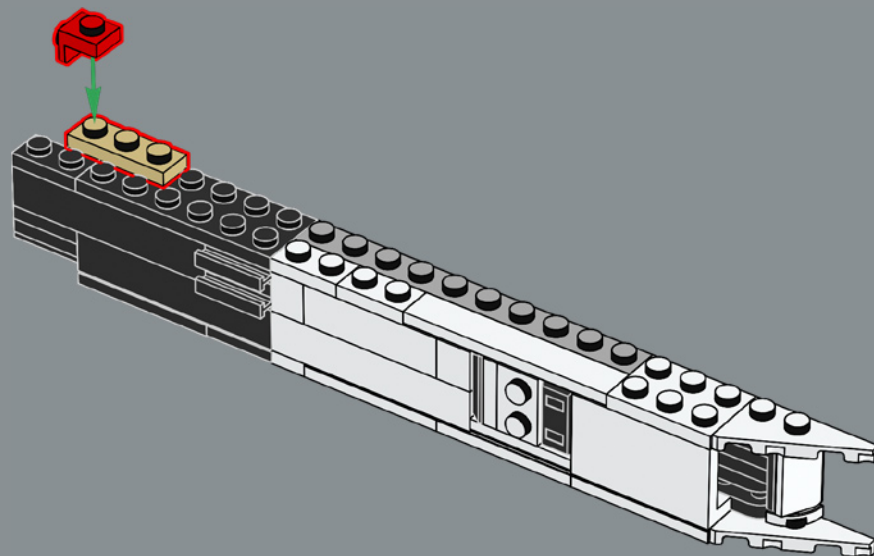




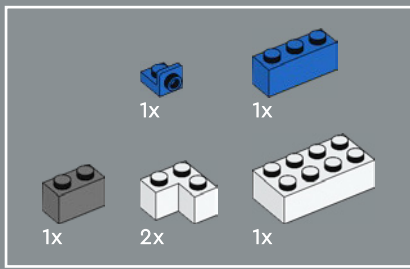
340



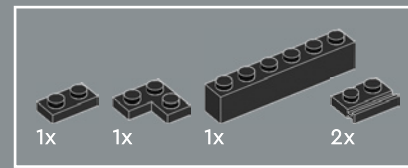
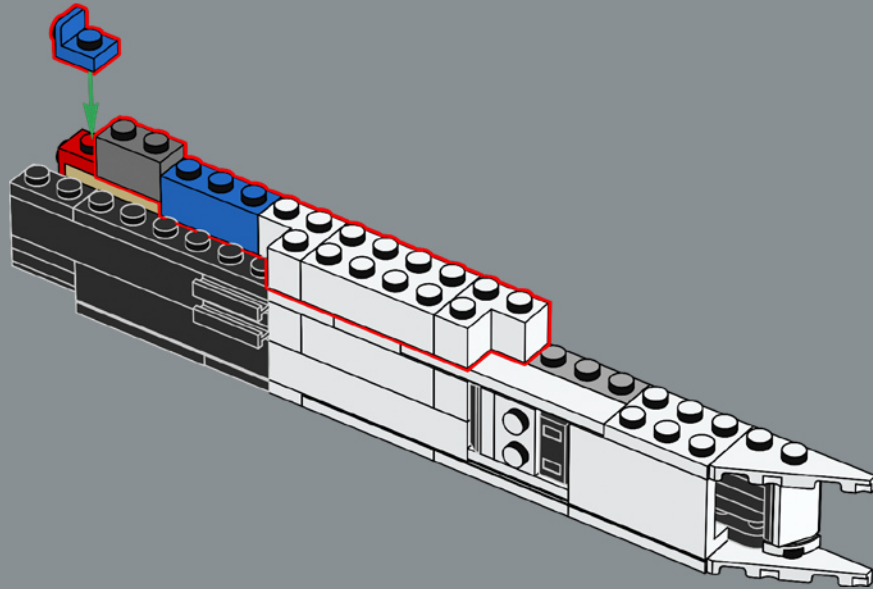
341



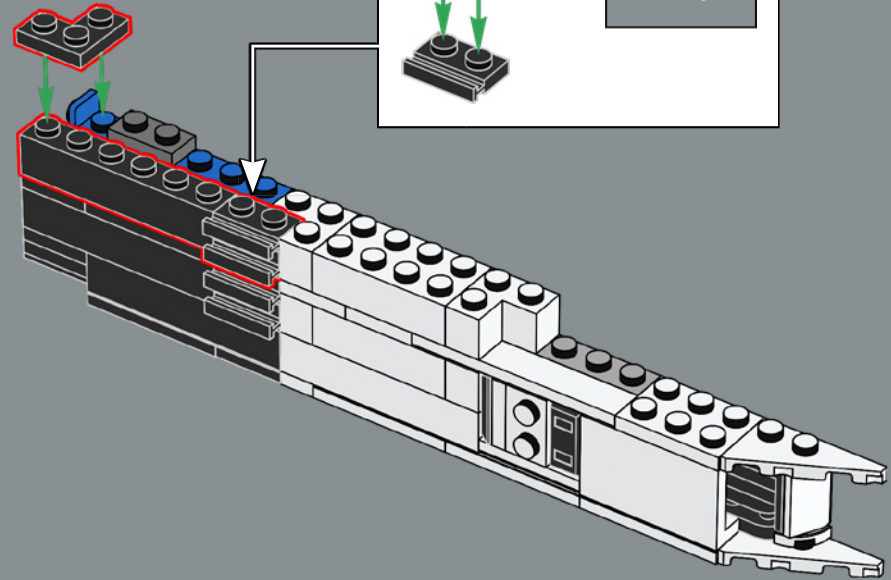
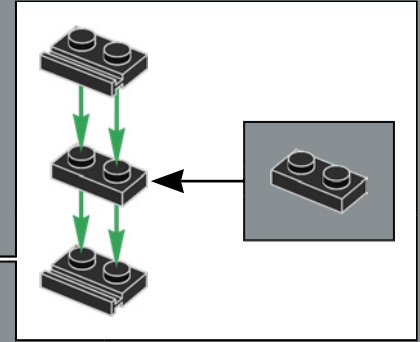


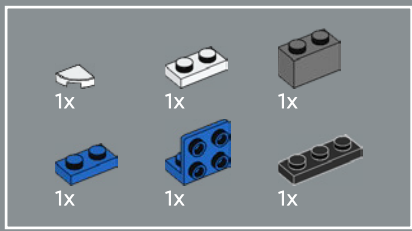


342

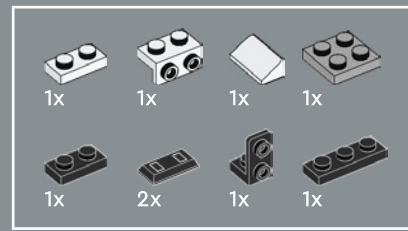
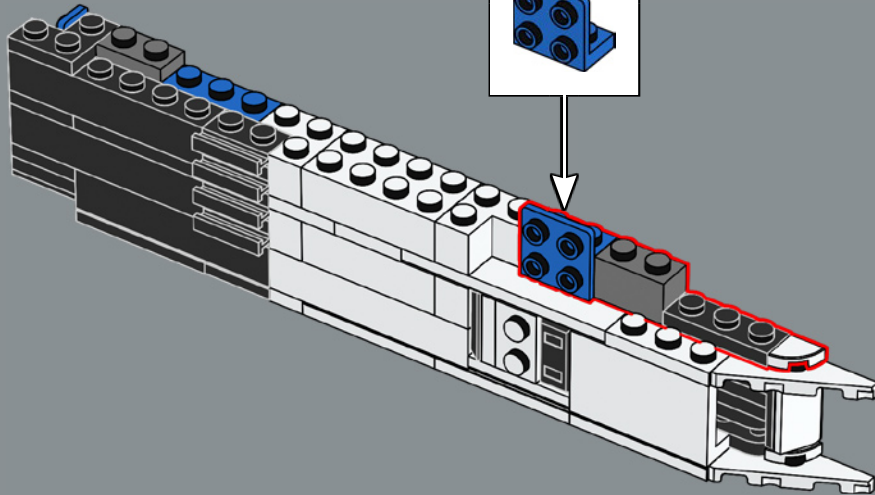
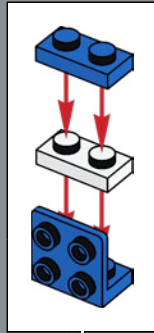


343

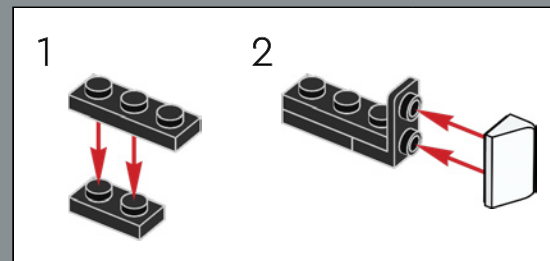
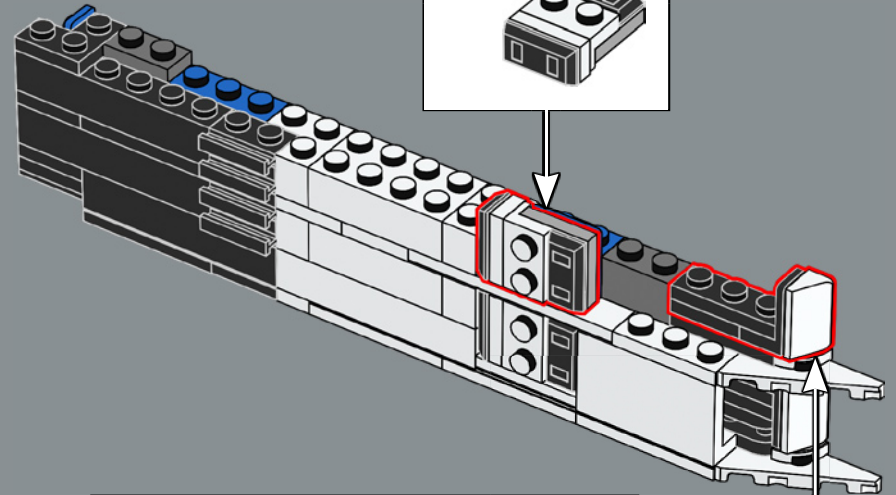
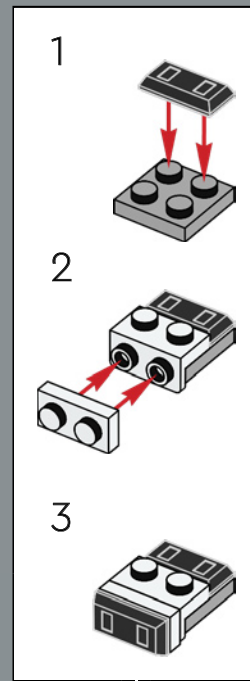


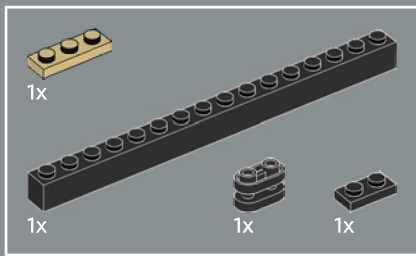


344

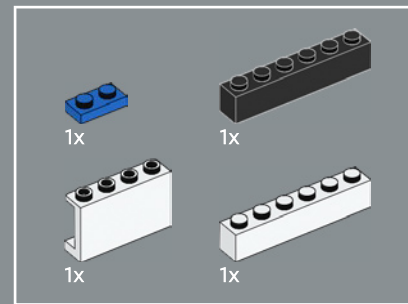
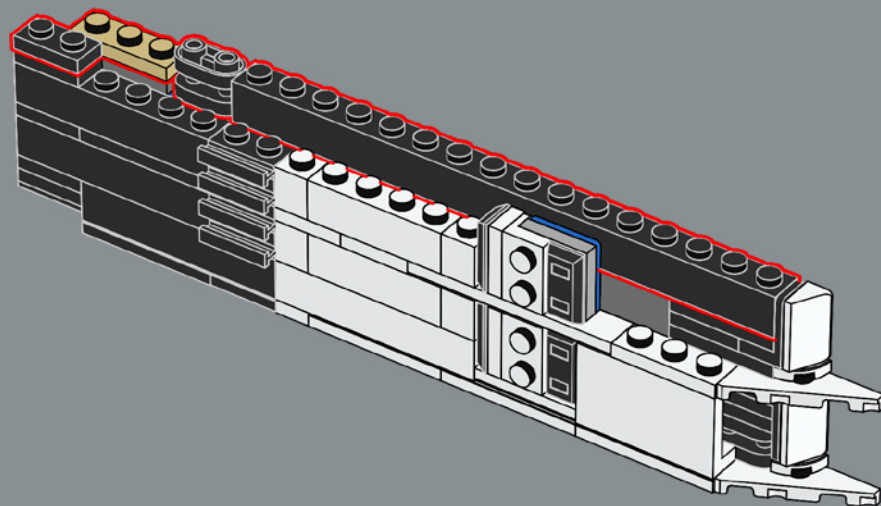


345

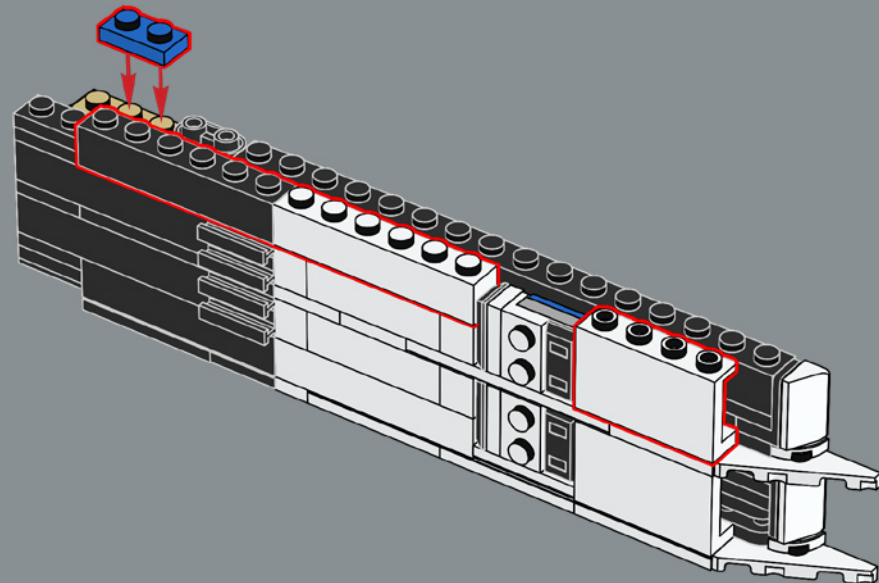


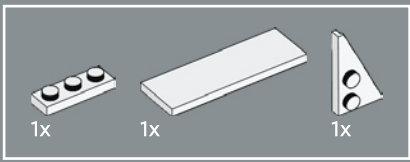


346

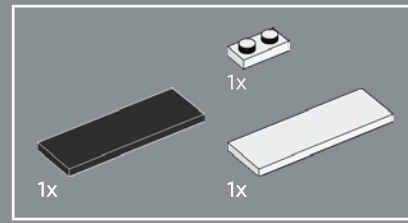
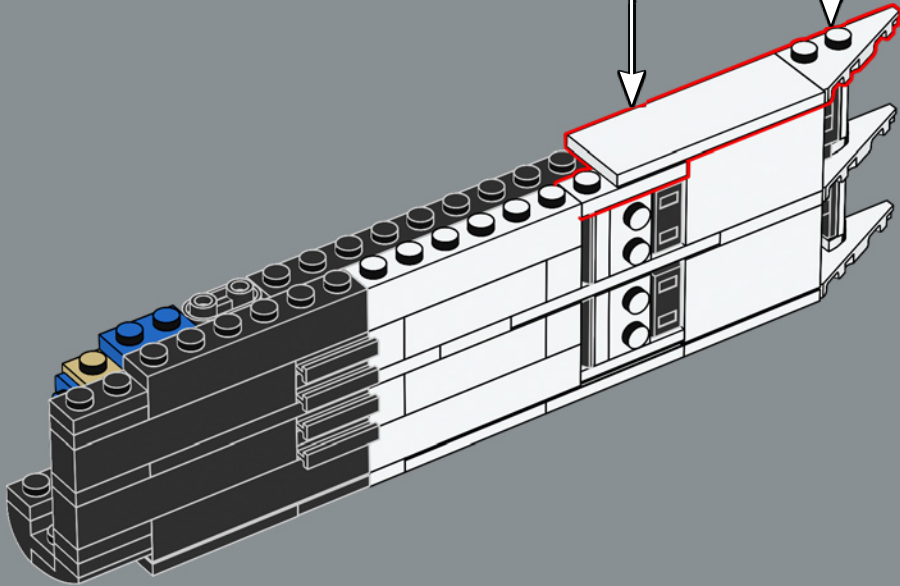
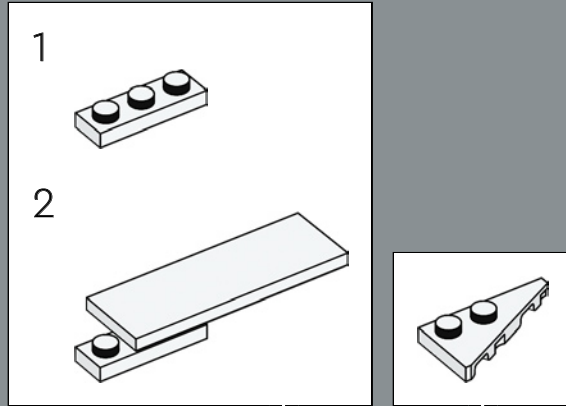


347

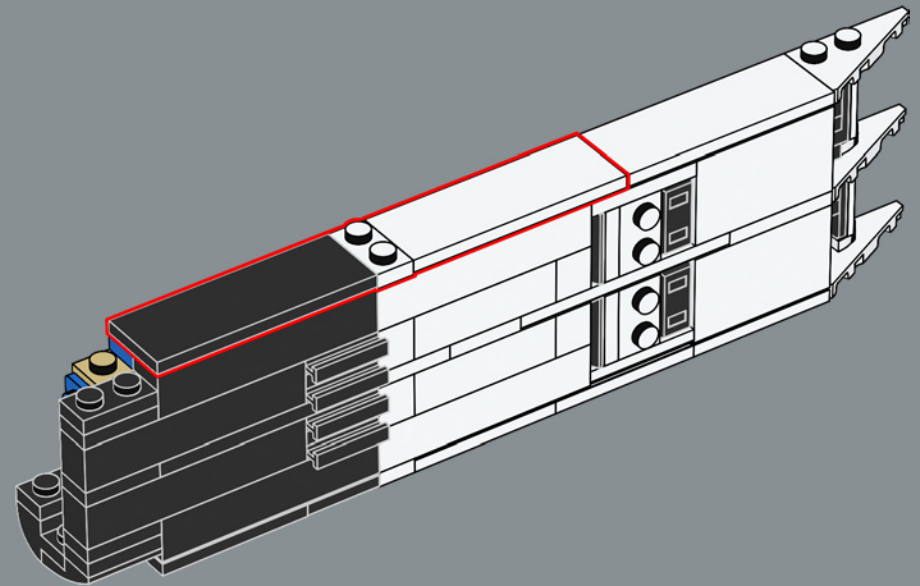




348



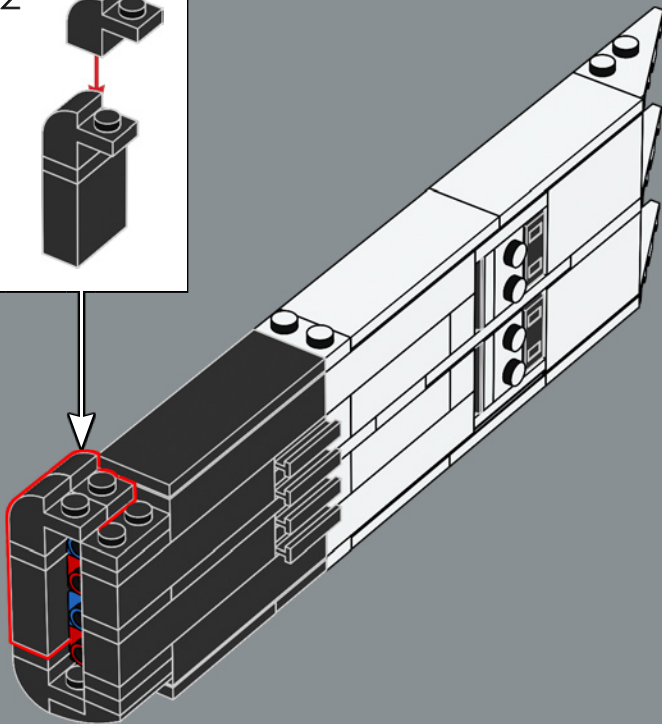
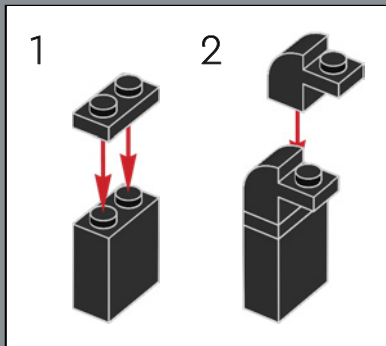
349



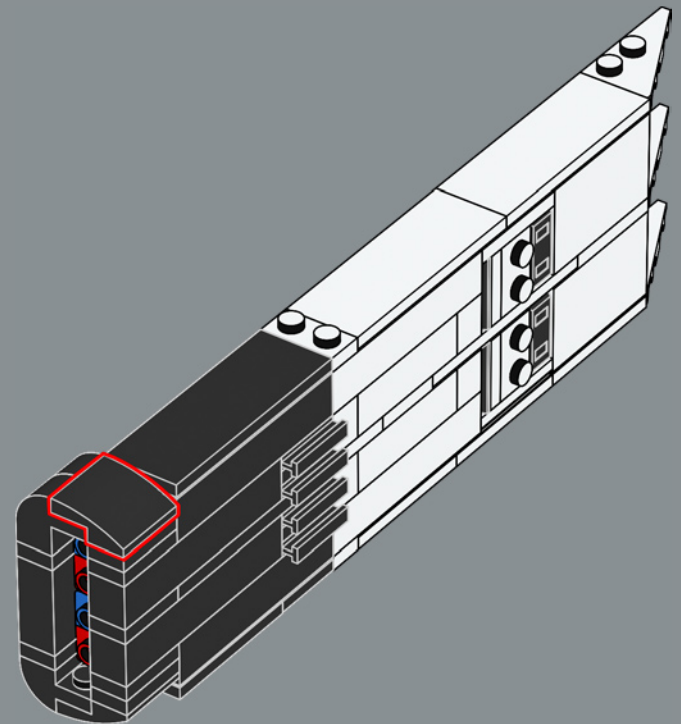




350

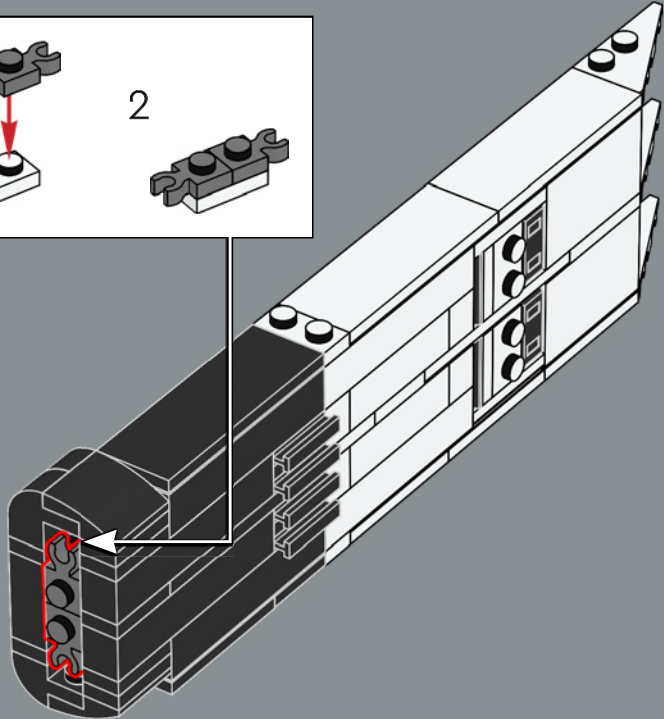
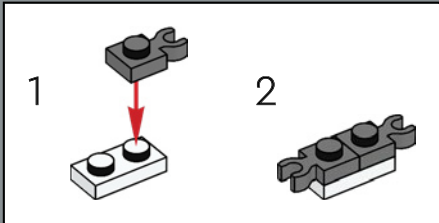


351

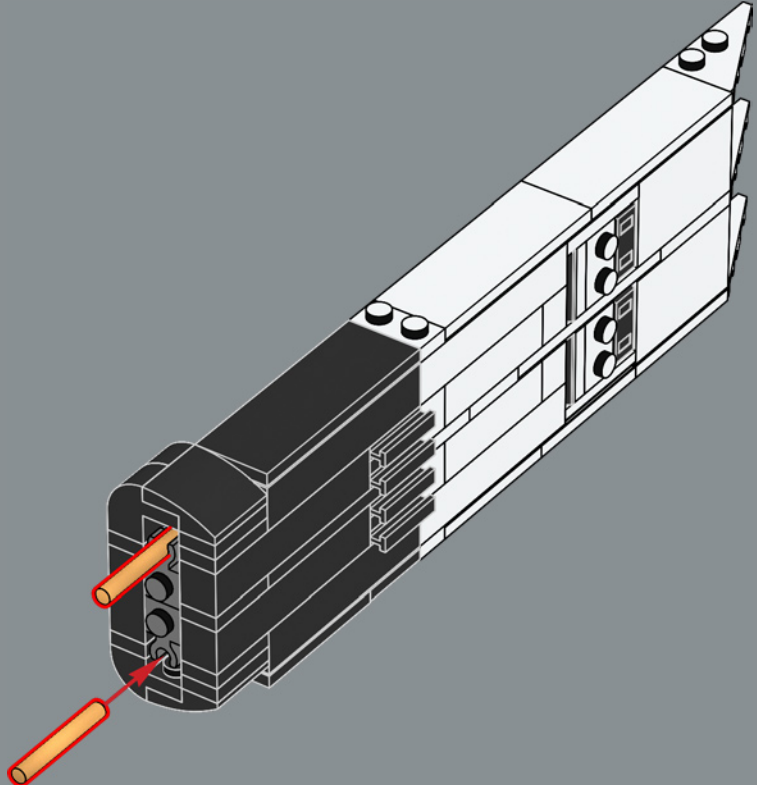


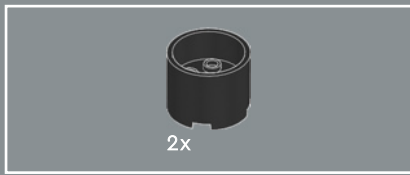


352

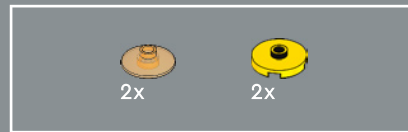
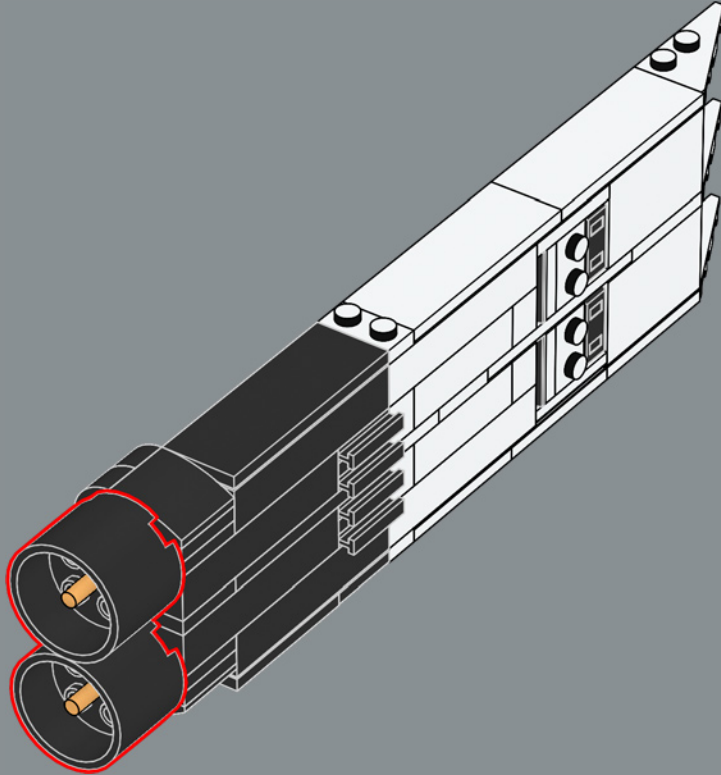


353

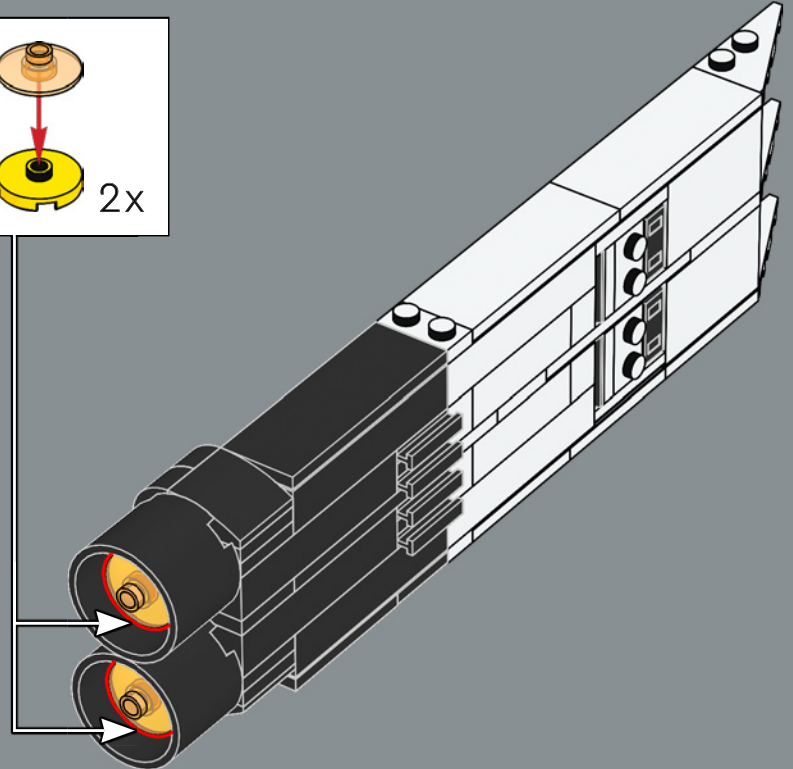
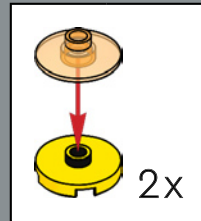




354



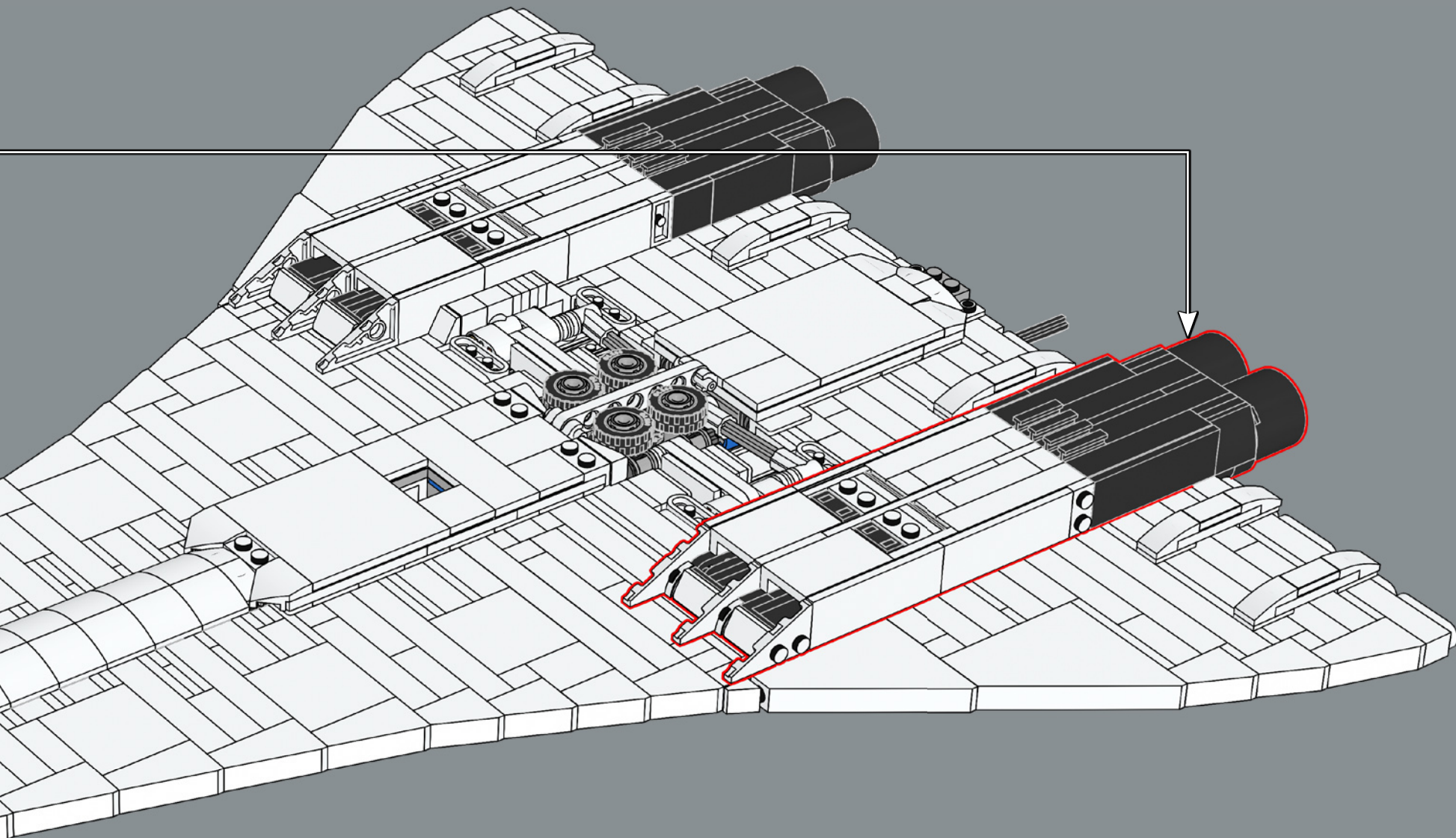
355



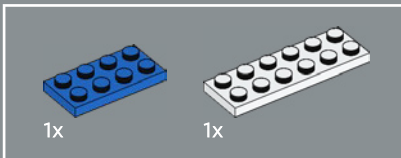
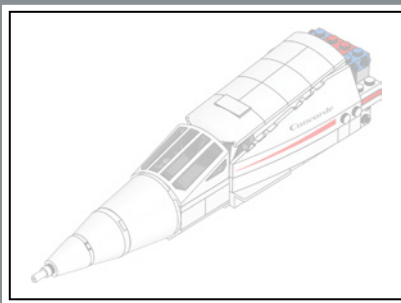


With the Earth spinning at 1,673 km/h (1,040 mph) and Concorde cruising at 2,146 km/h (1,334 mph), those flying aboard the aircraft could see the same sunset twice.

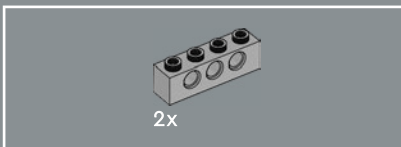
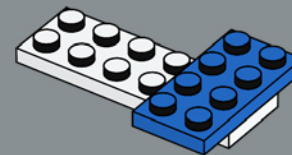
356



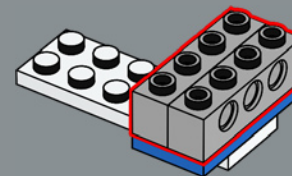




357

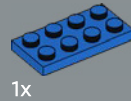
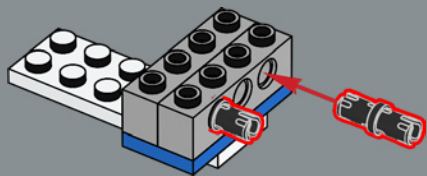


358



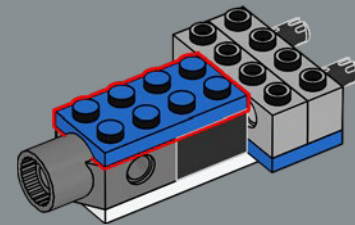
2x

359

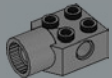


1x

361

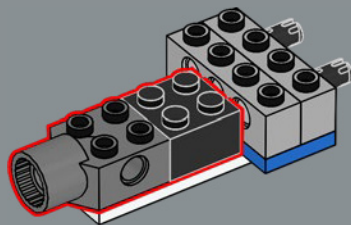


1x



1x

360

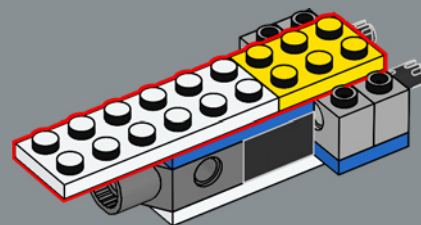


1x



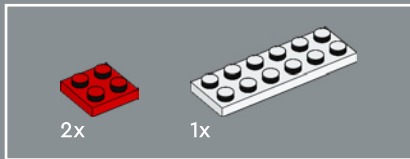
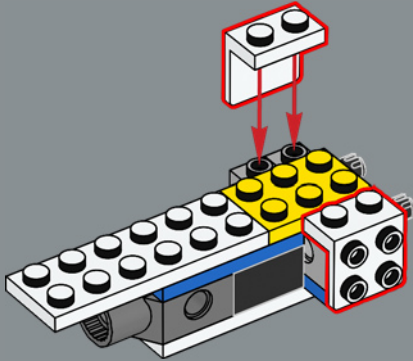
1x

362

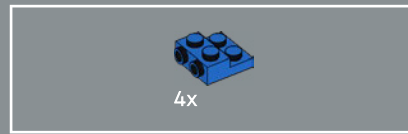
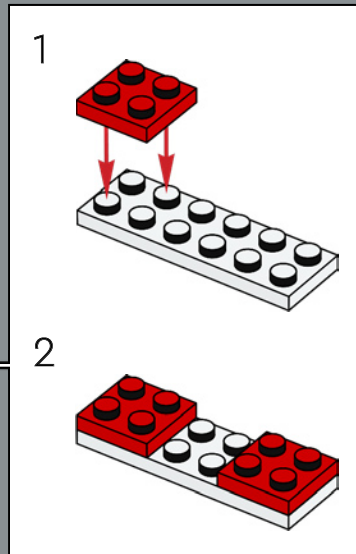
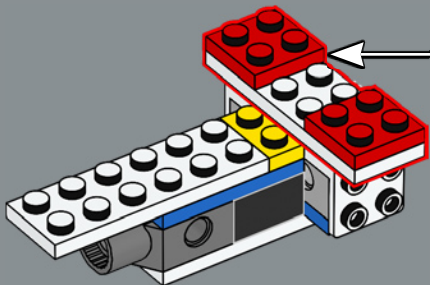




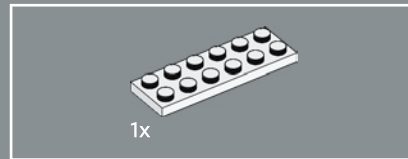
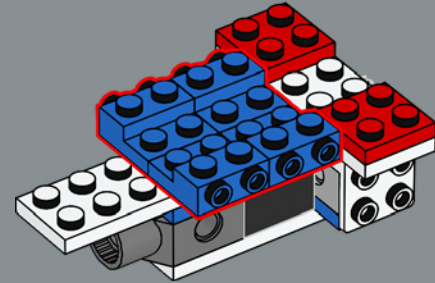
363



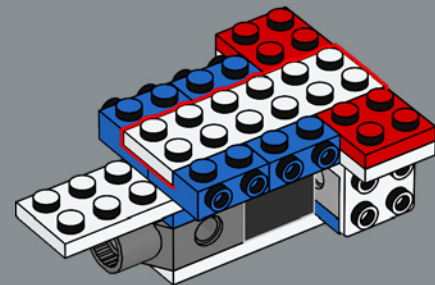
364



365



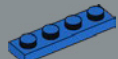
366





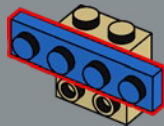
1x

367



1x

368

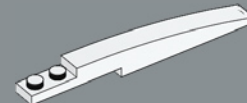
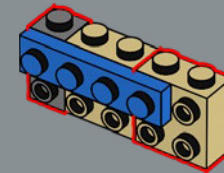


1x



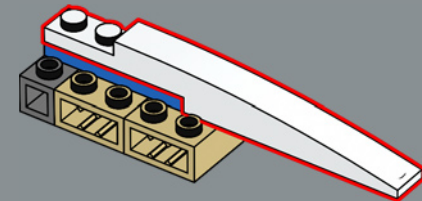
1x

369

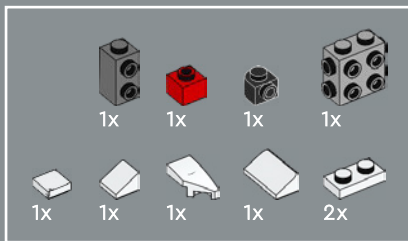


1x

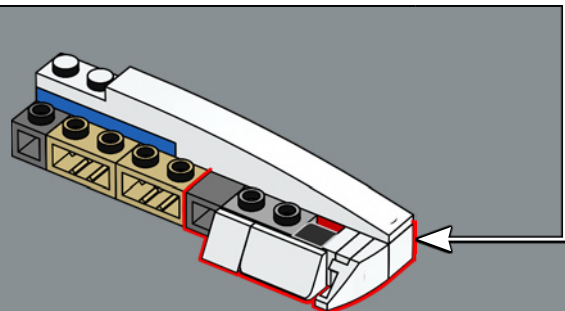
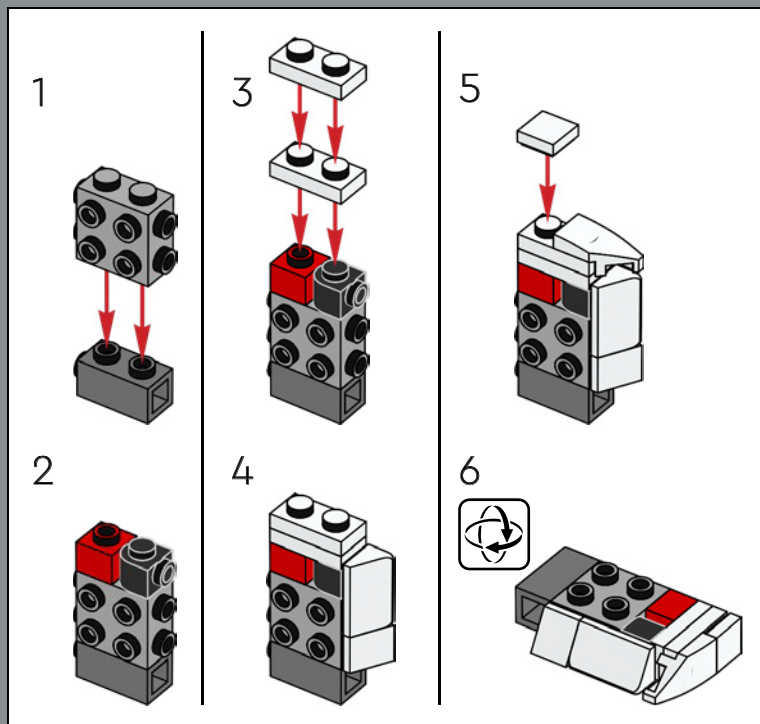
370



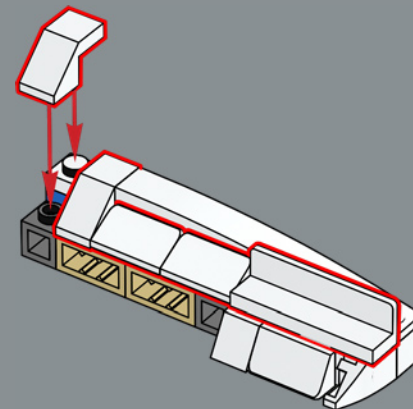




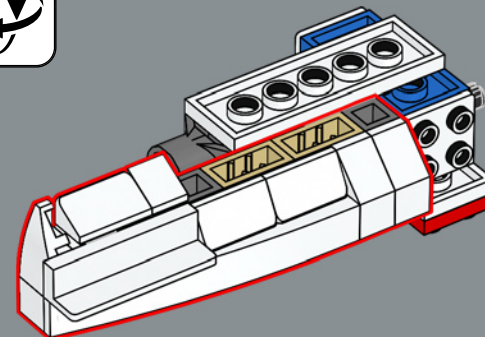
371



372



373





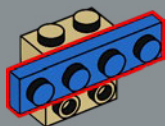
1x

374



1x

375



A total of 134 pilots and 57 flight engineers were trained to operate the unique aircraft.

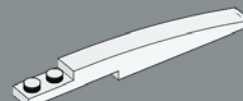
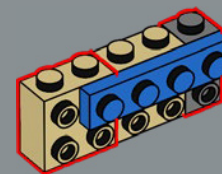


1x



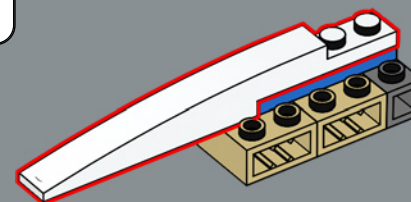
1x

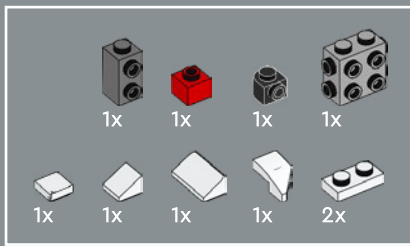
376



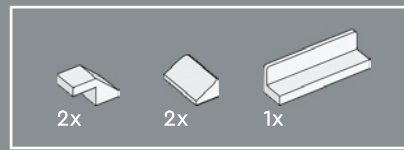
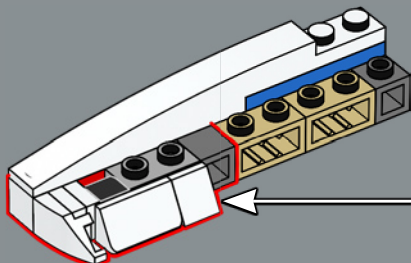
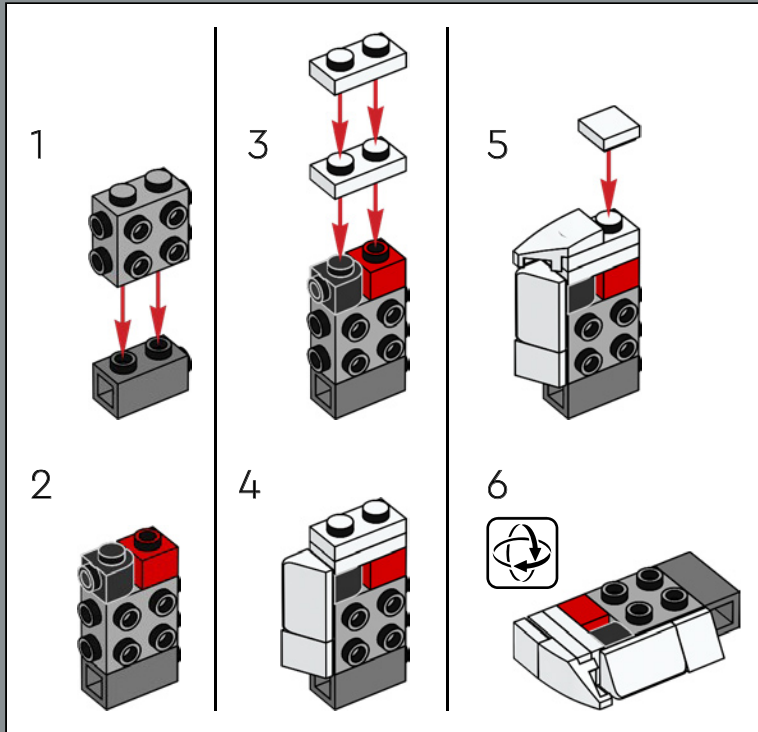
1x

377

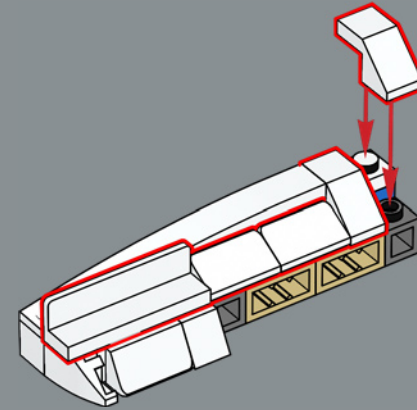




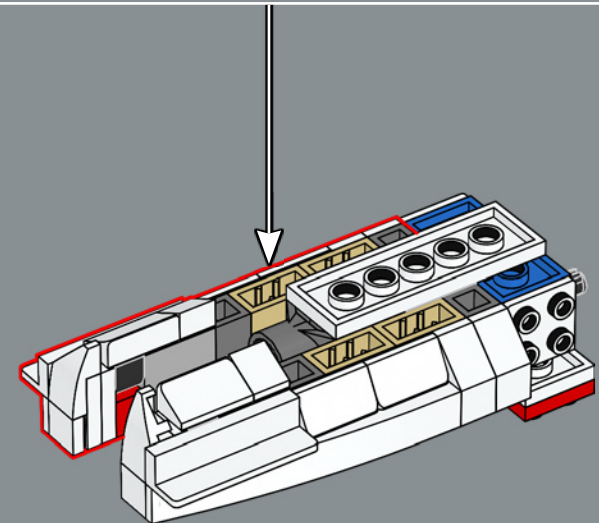
378

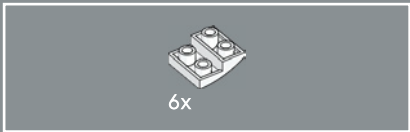


379

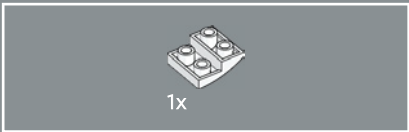
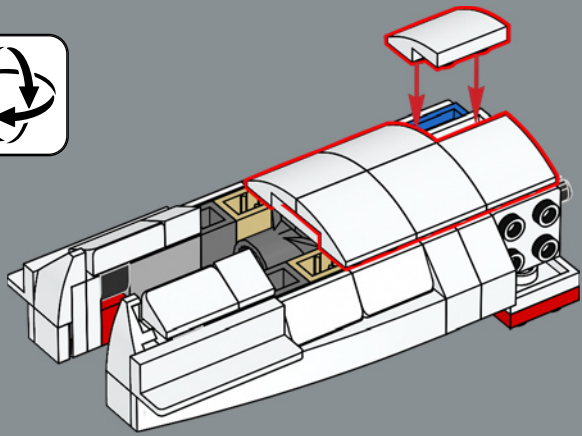


380

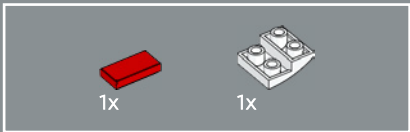
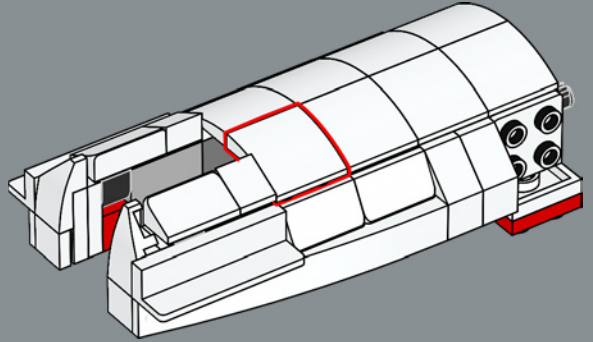




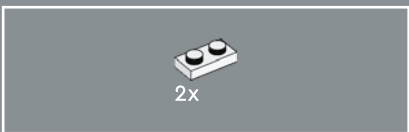
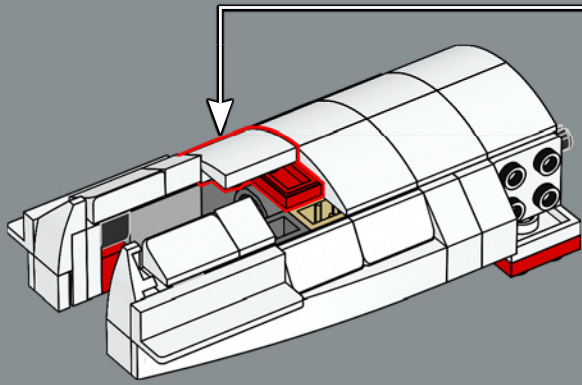
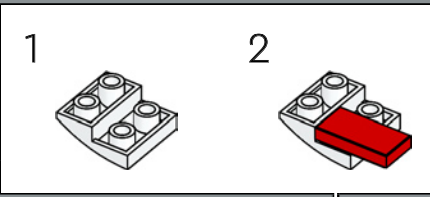
381



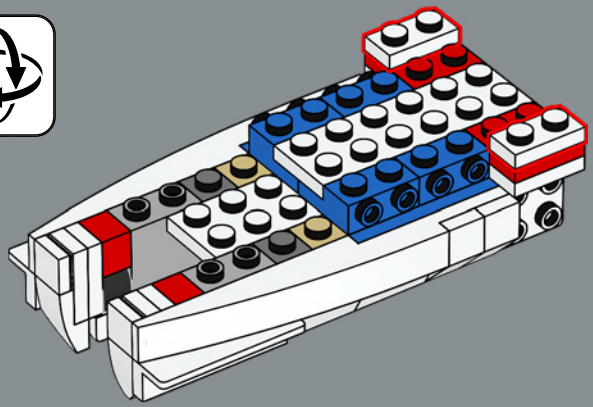
383



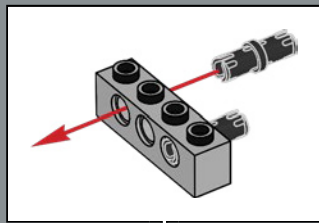
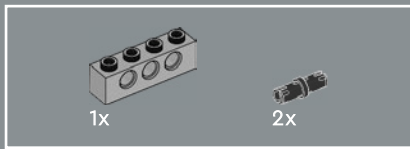
382



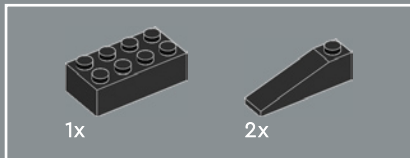
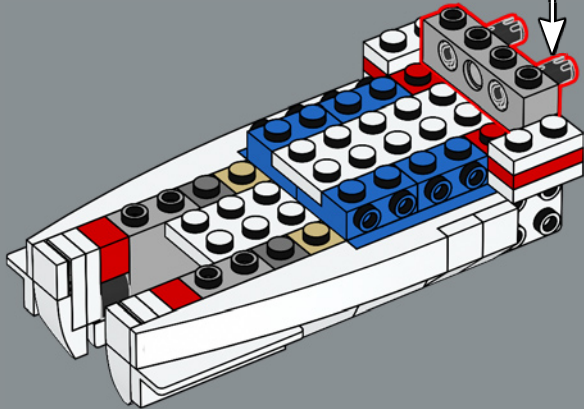
384



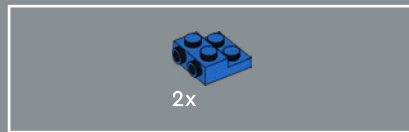
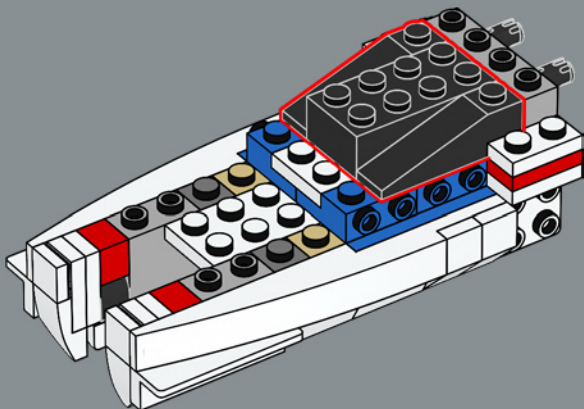




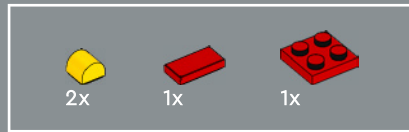
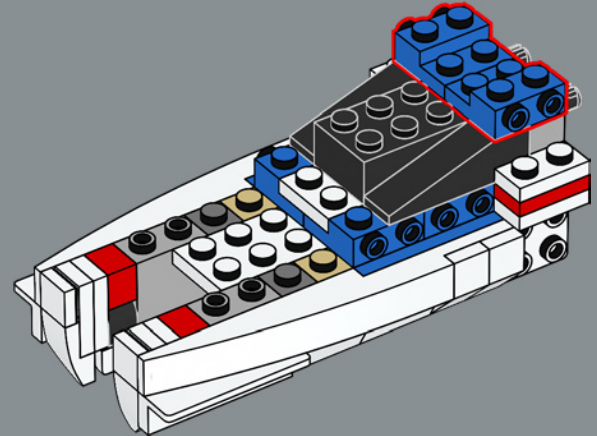
385



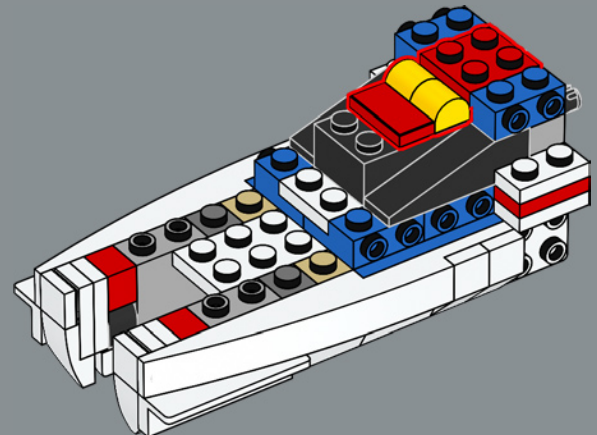
386

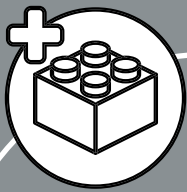


387

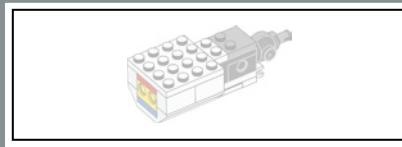


388





1x

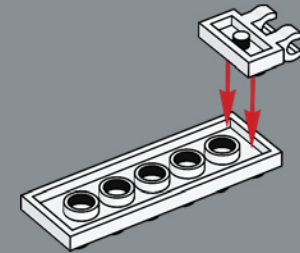


1x



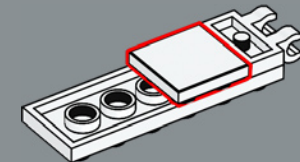
1x

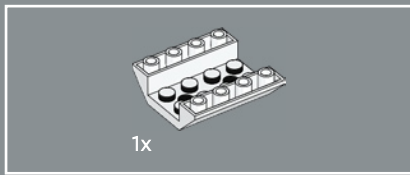
389



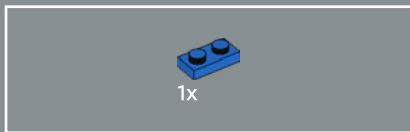
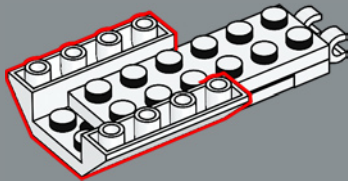
1x

390

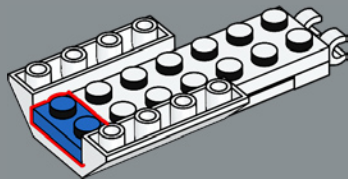




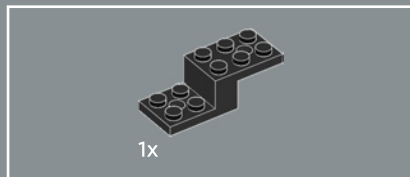
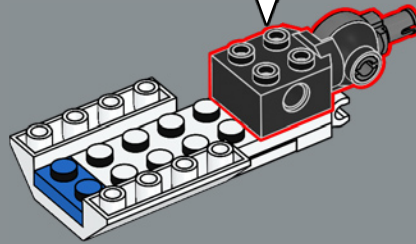
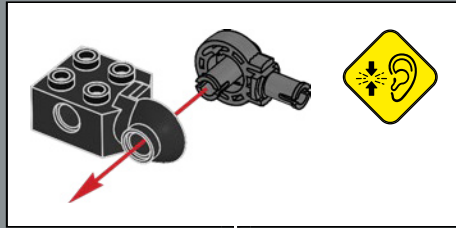
391



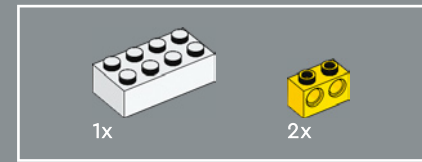
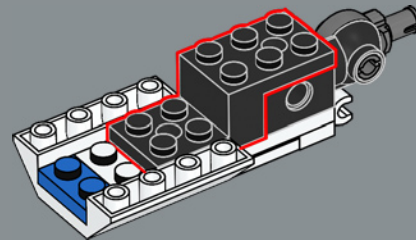
392



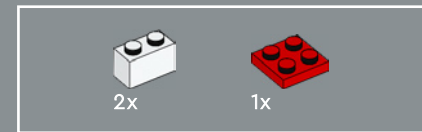
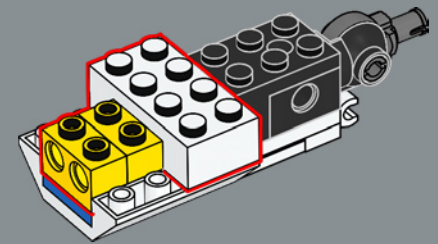
393



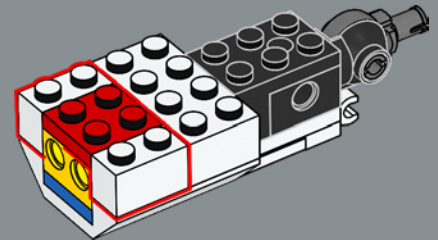
394

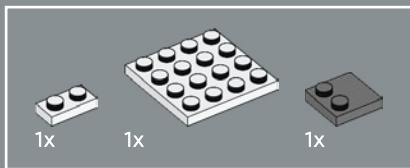


395

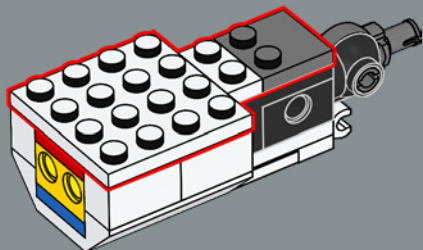


396

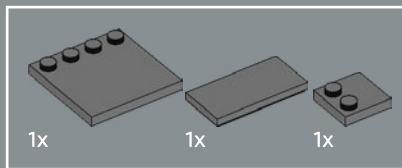
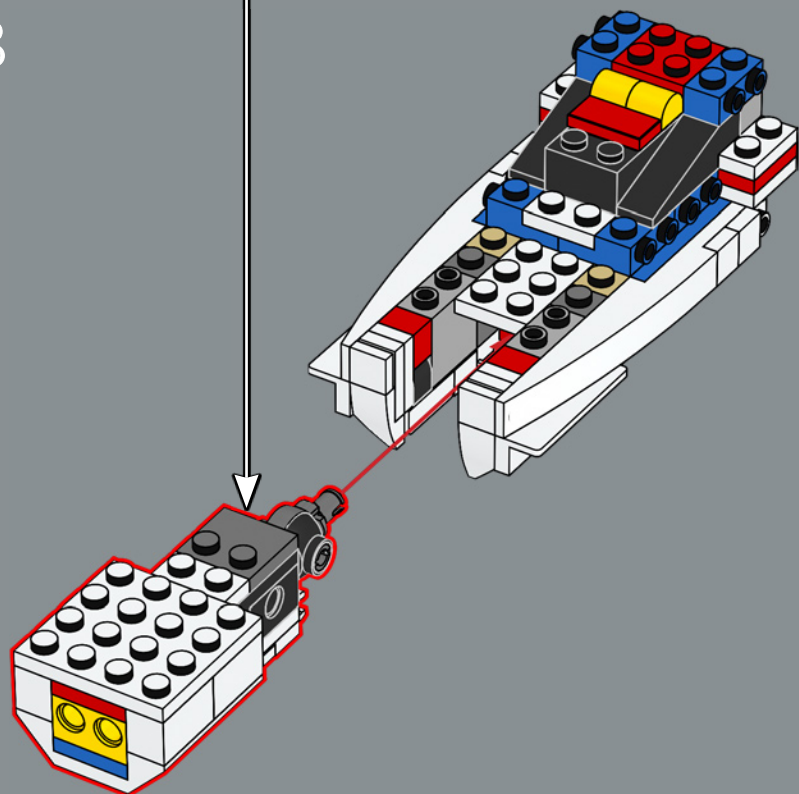




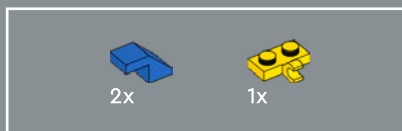
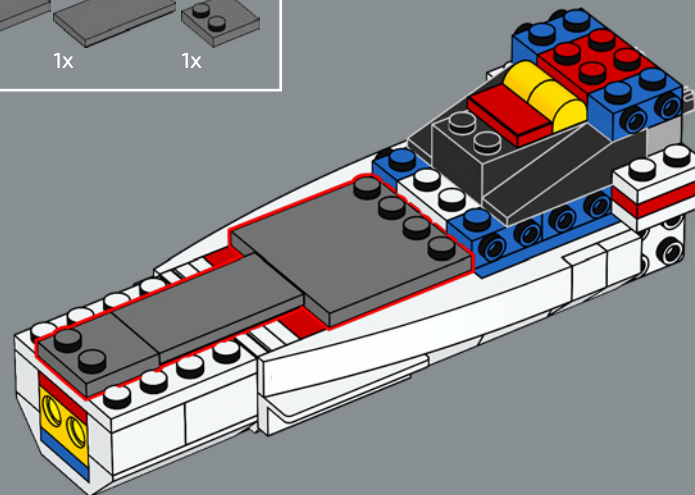
397



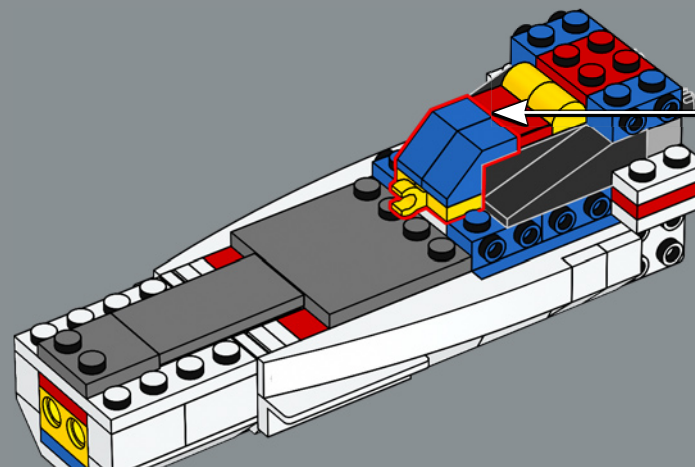
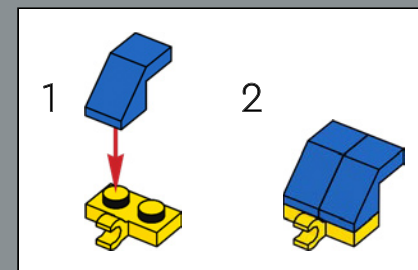
398



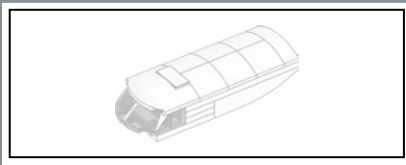
399



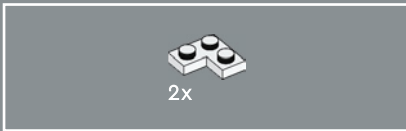
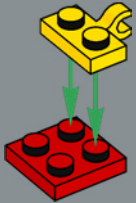
400



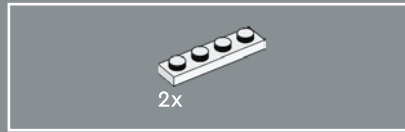




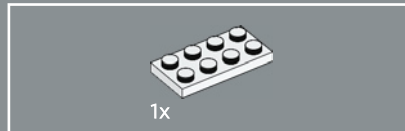
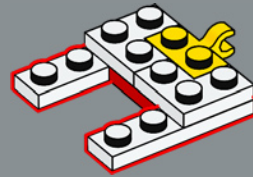
401



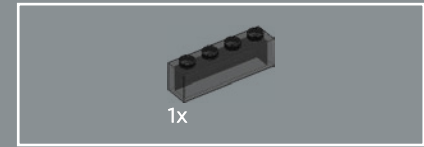
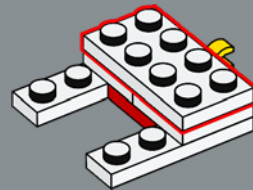
402



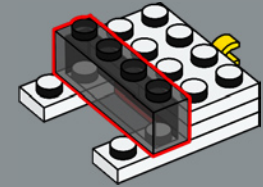
403



404

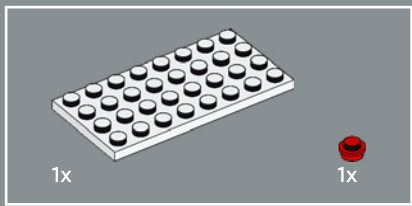


405

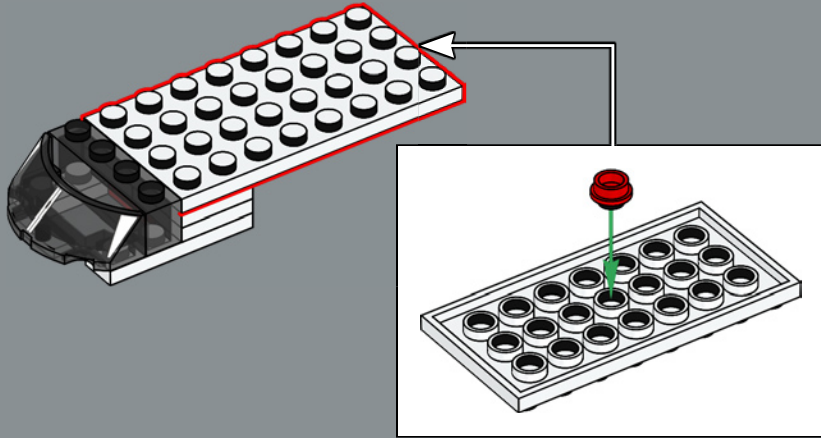


406

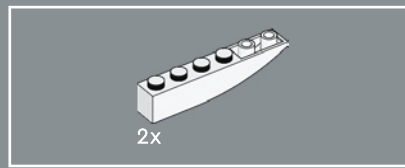
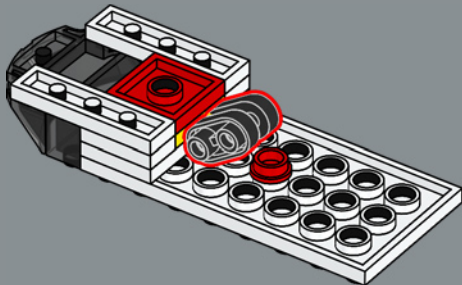




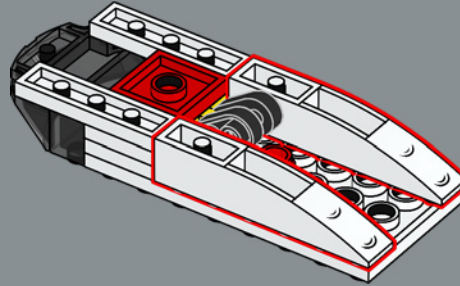
407



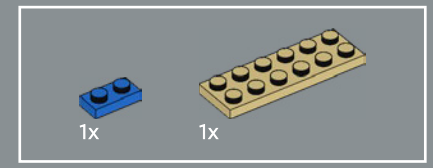
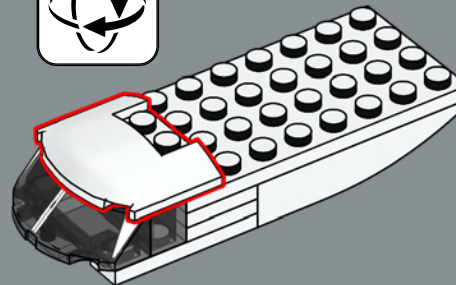
408



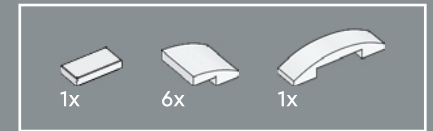
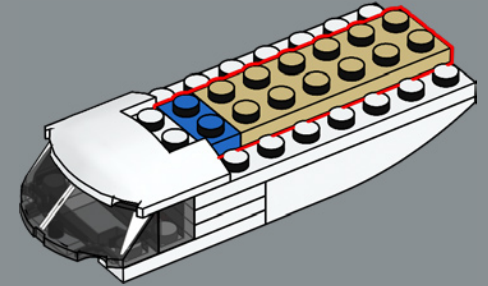
409



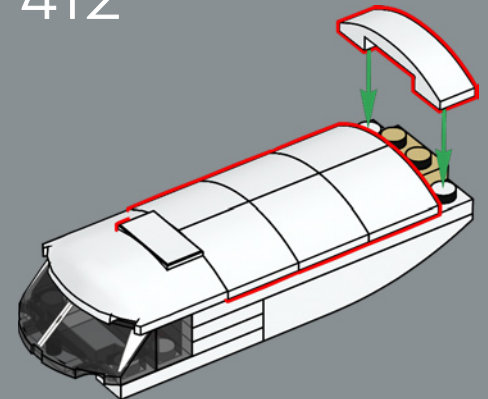
410



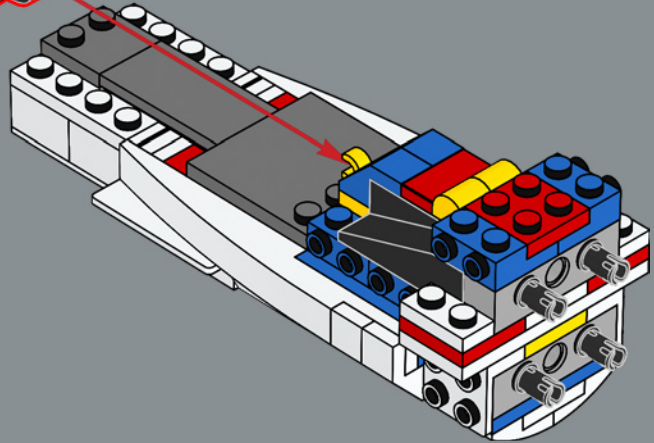
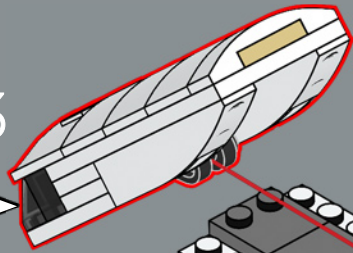
411



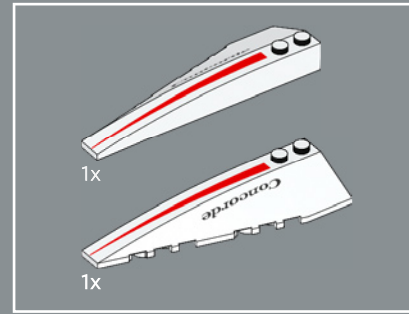
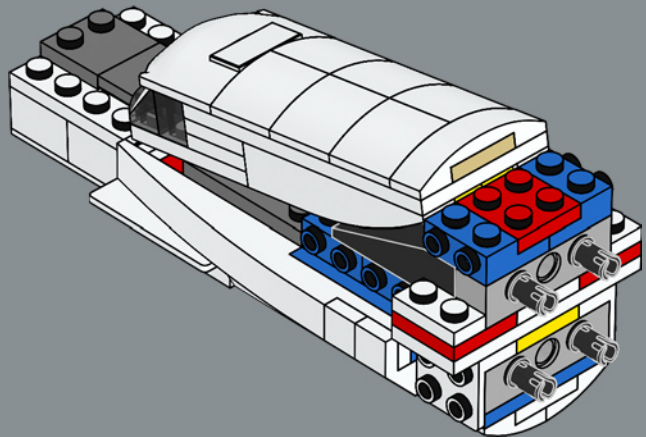
412



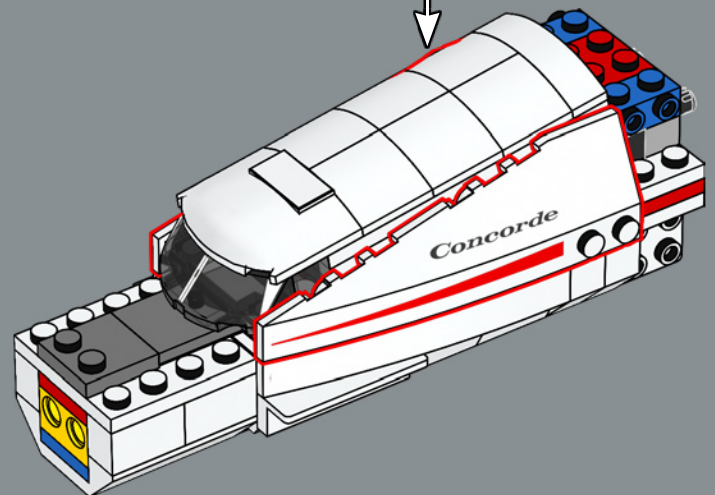
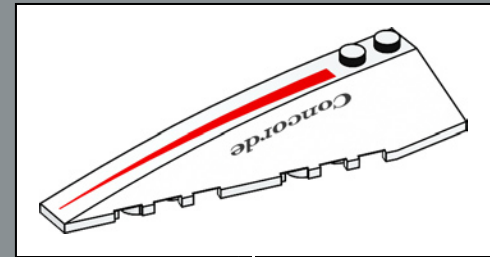
413

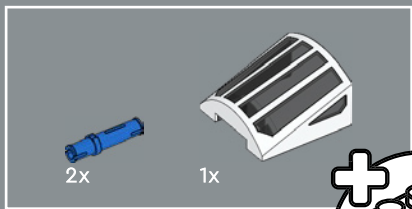


414

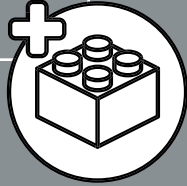


415

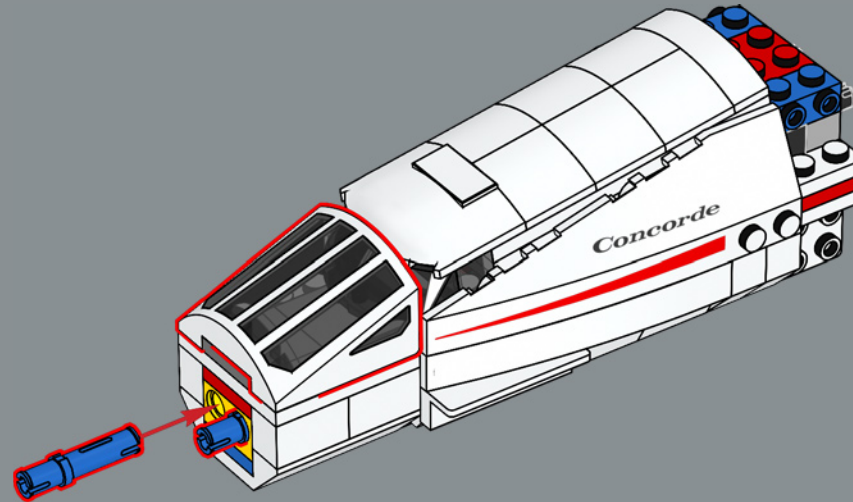




416



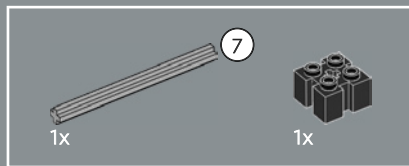
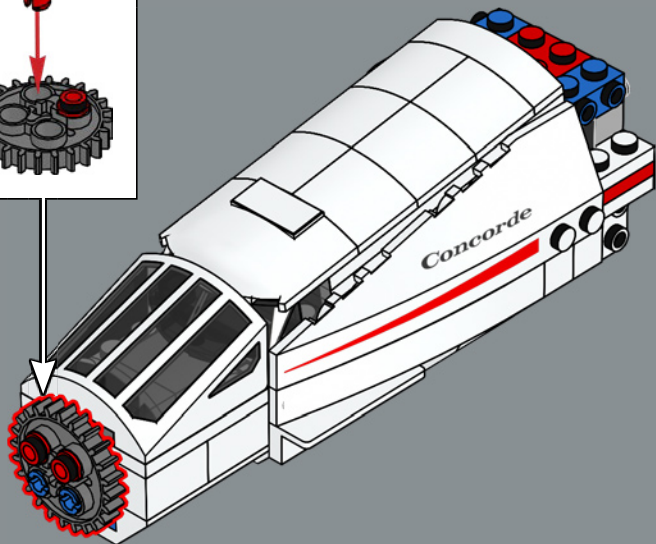
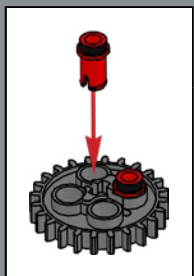
Two brand new LEGO® elements were developed exclusively for this model: the nose cone and the visor. Concorde's retractable visor folds down with the nose to reveal the cockpit windscreen hidden behind.



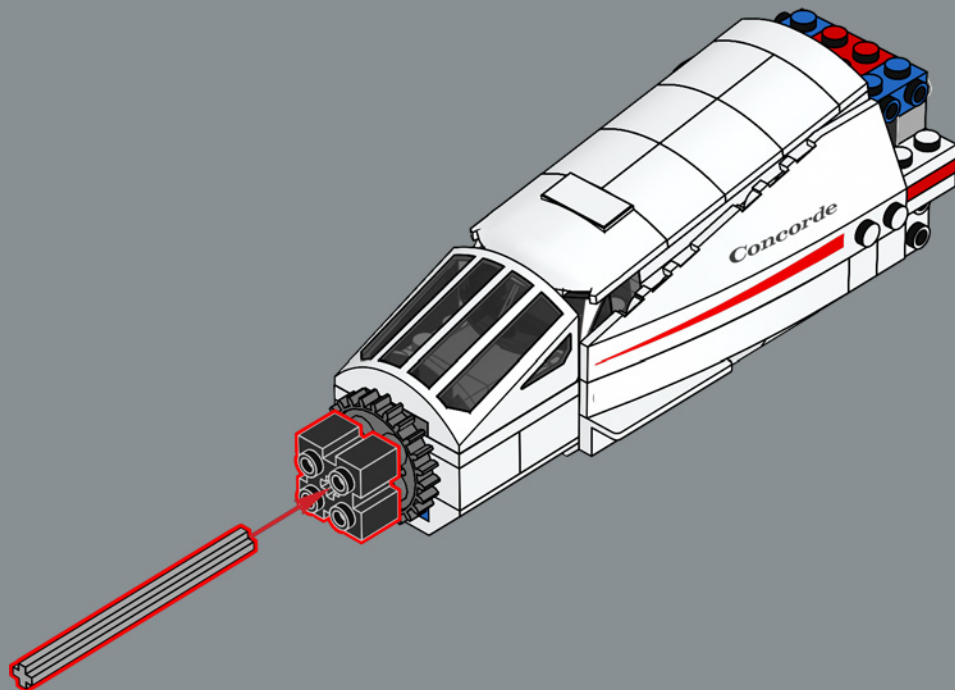
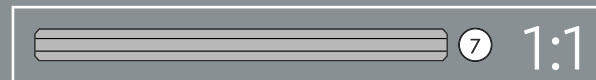


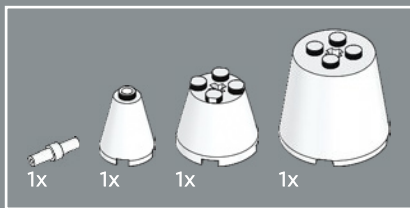


417



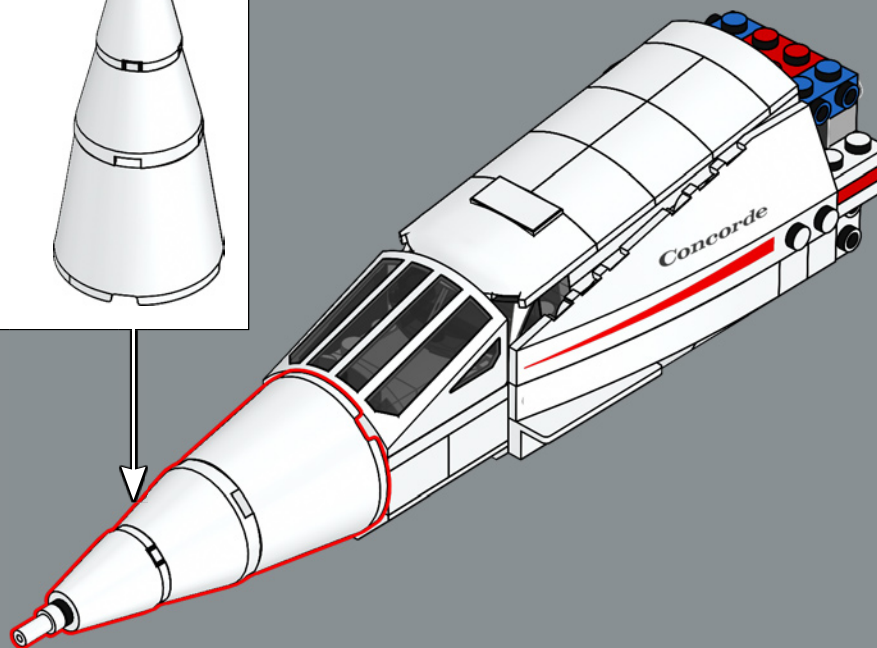
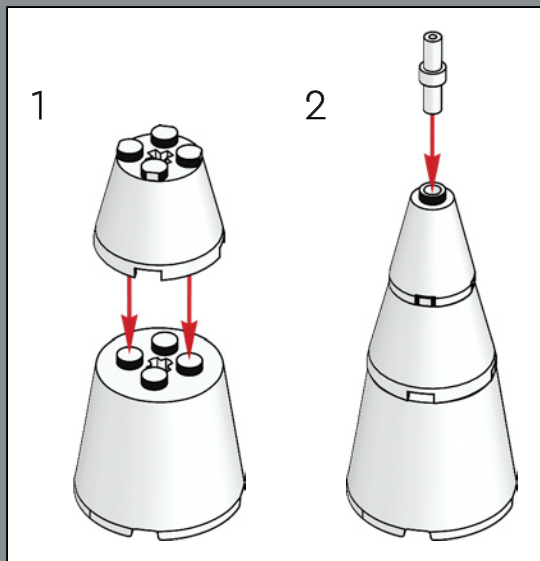
418



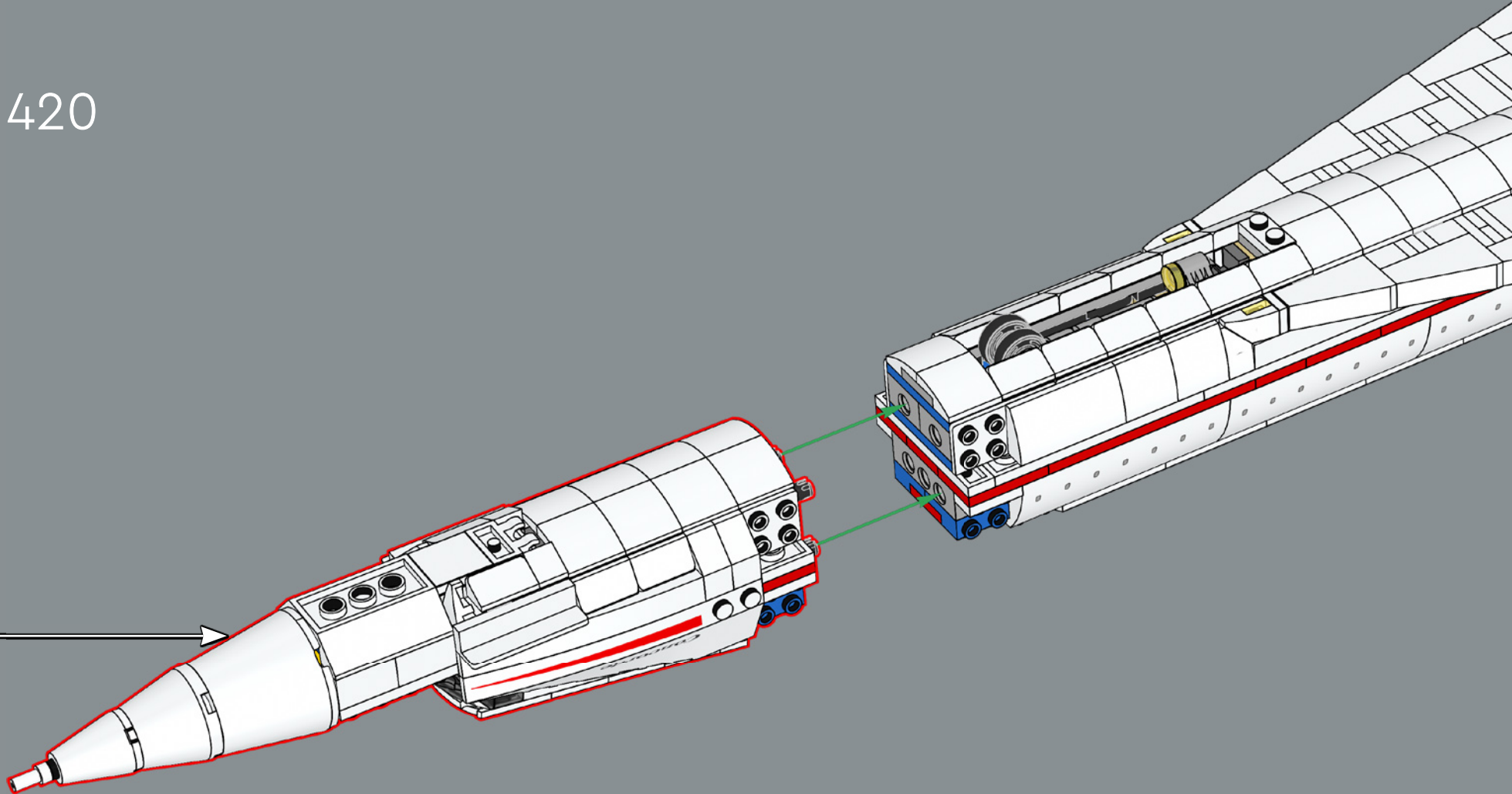


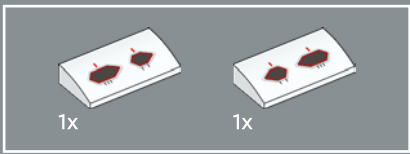
Concorde's long nose and delta wing were crucial to achieving supersonic speed, but the high angle of attack on take-off and landing and the length of the nose cone made it difficult for pilots to see the runway. The solution - the iconic Droop Snoot!

419



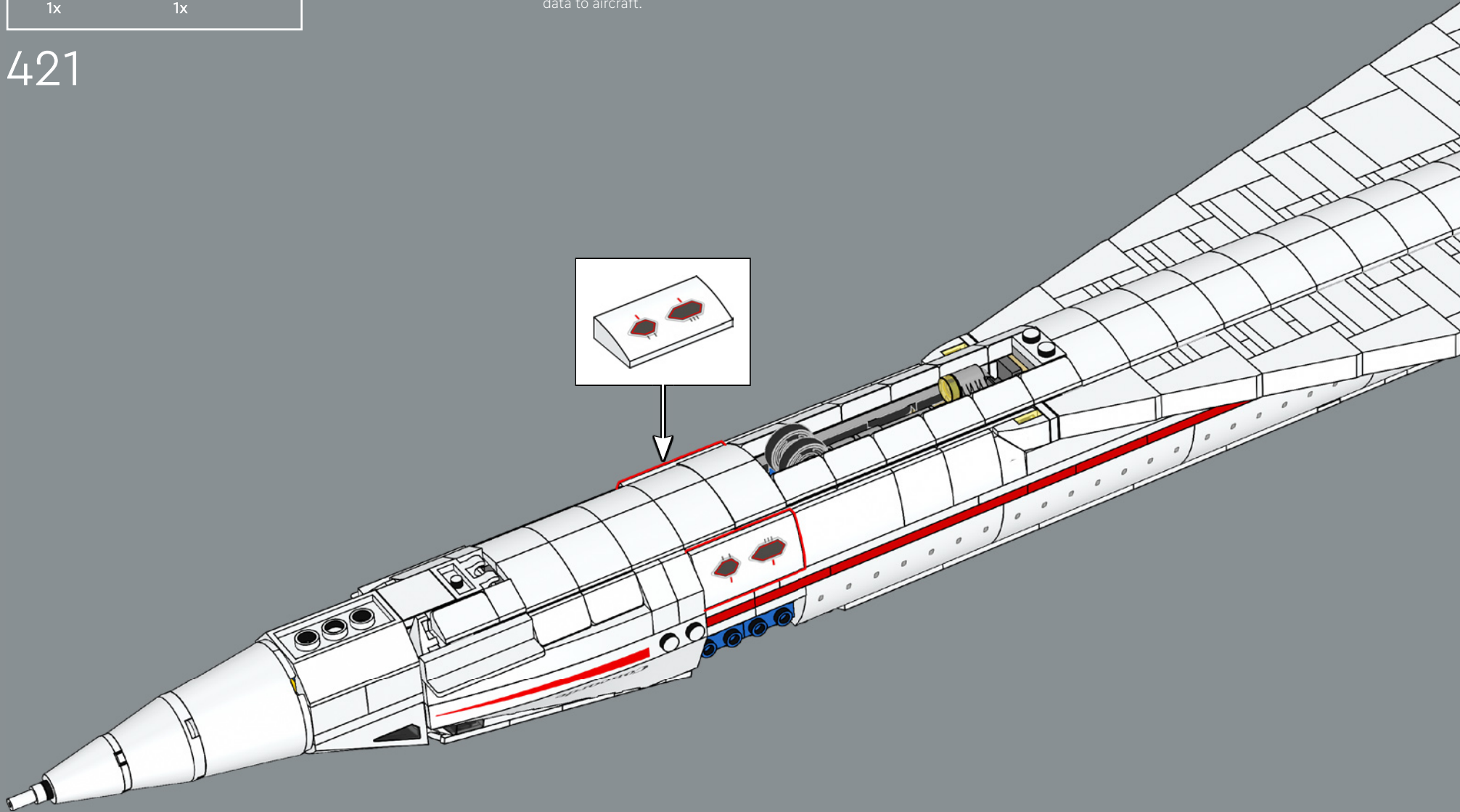
420





These panels are static ports, providing static air pressure data to aircraft.

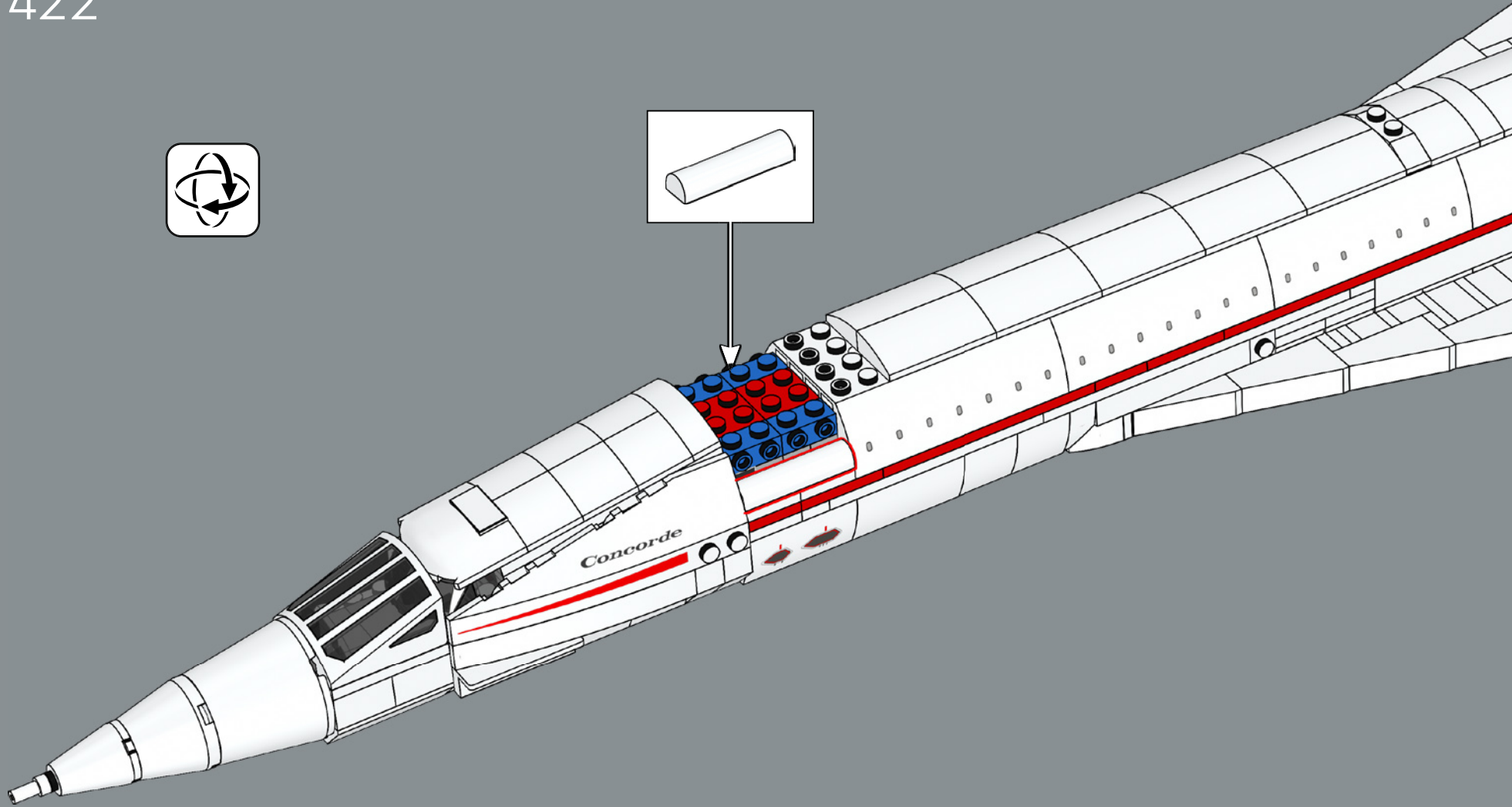
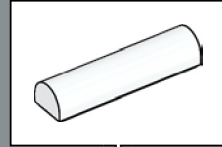
421

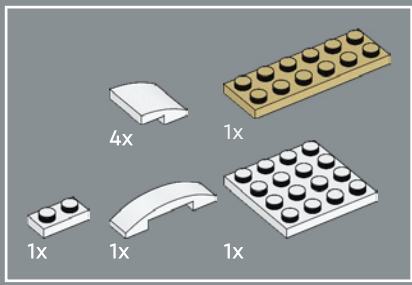




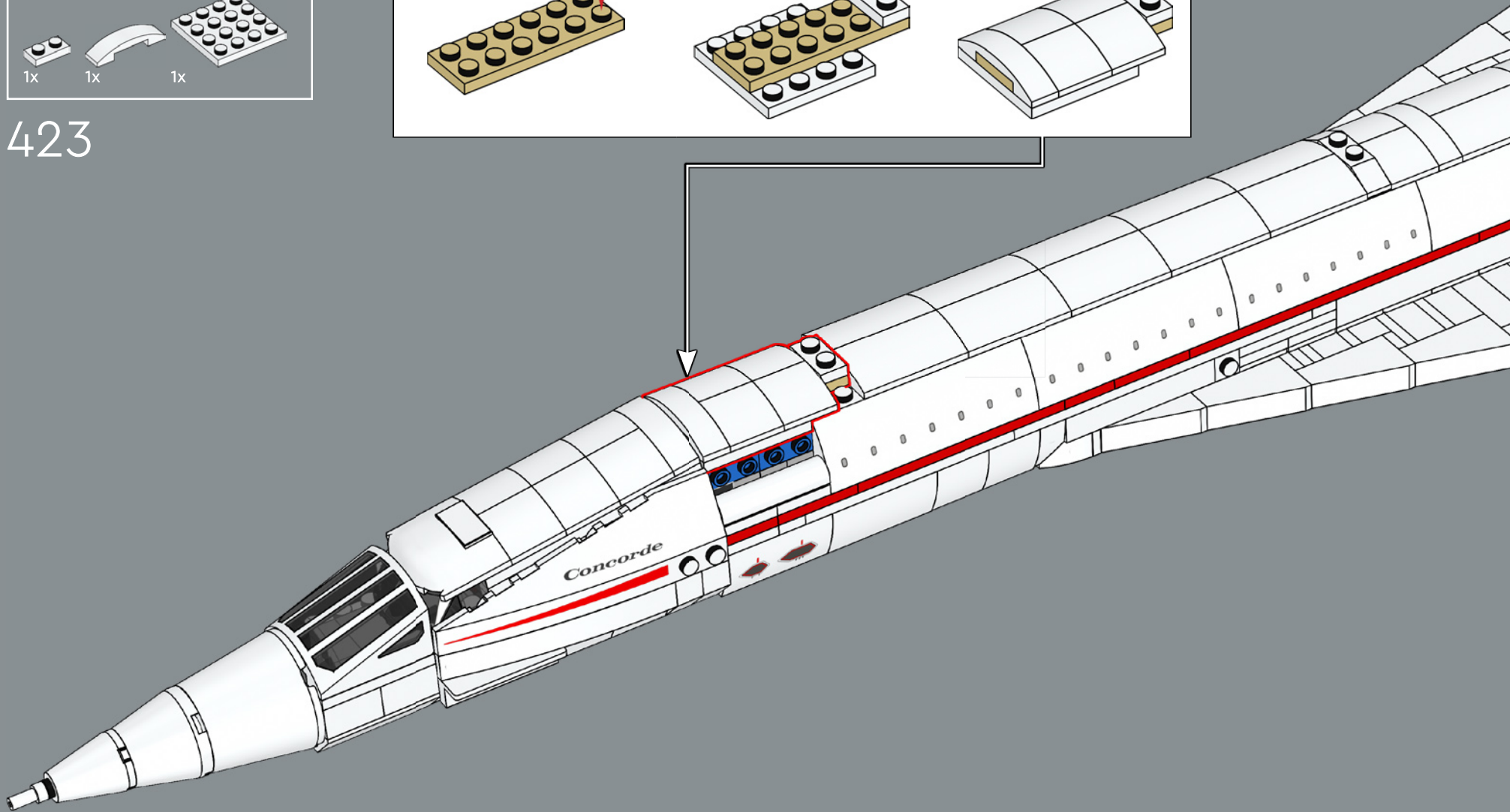
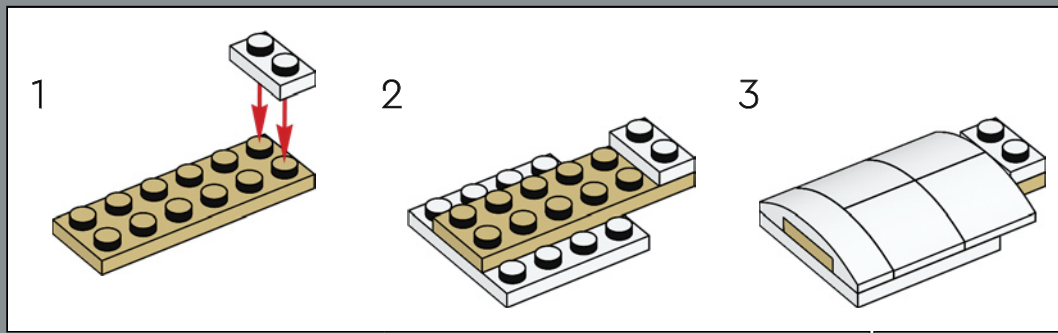


422



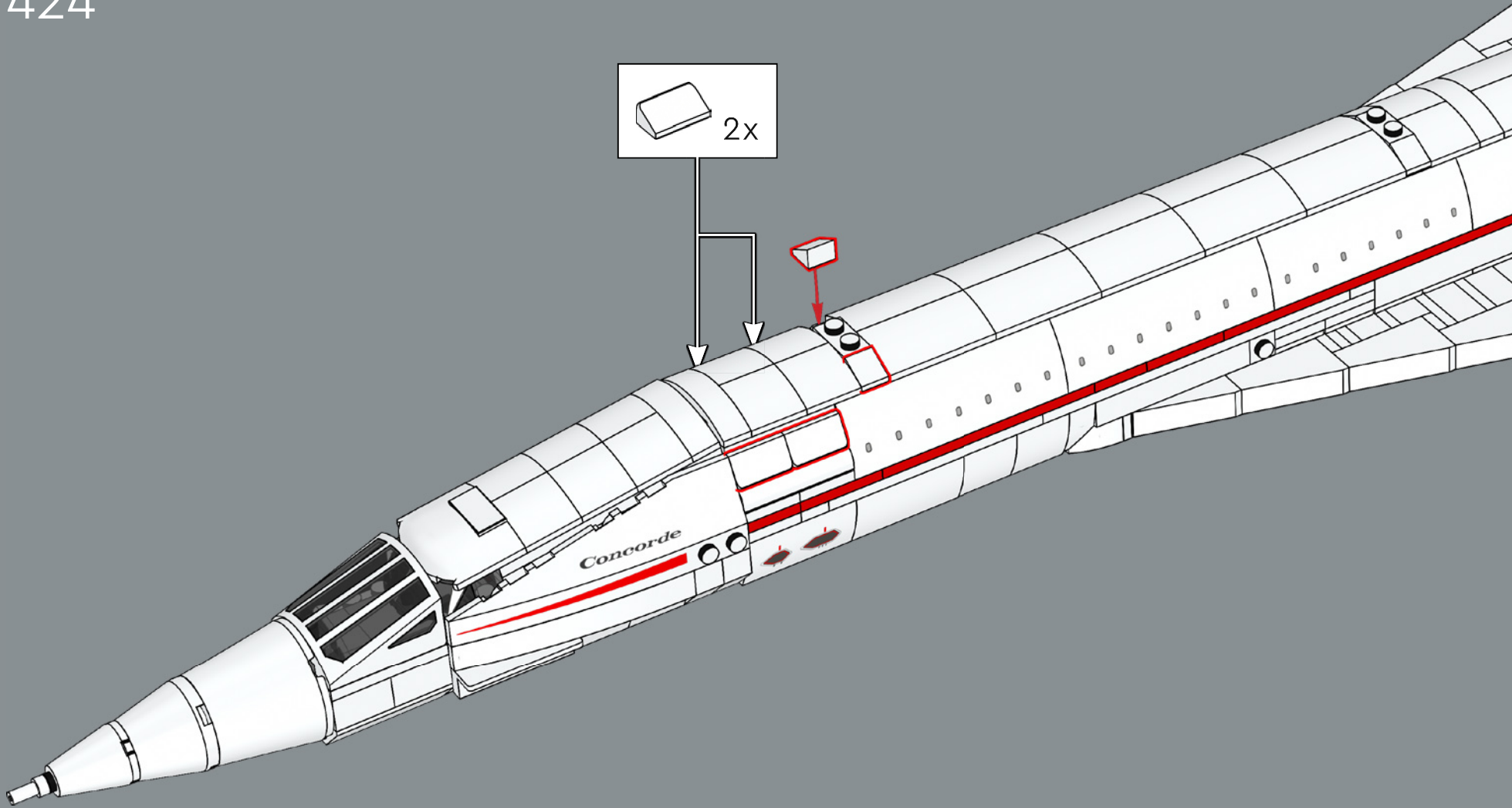
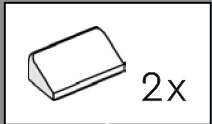


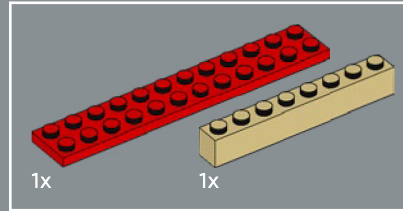
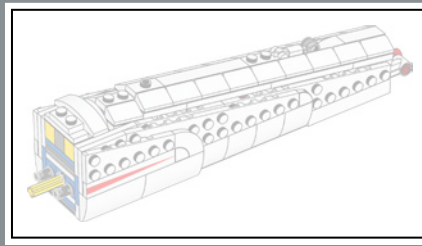
423



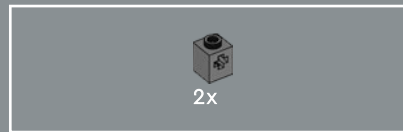
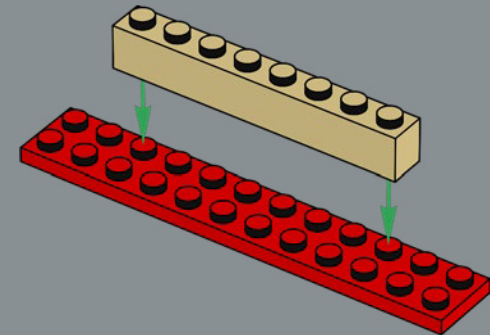


424

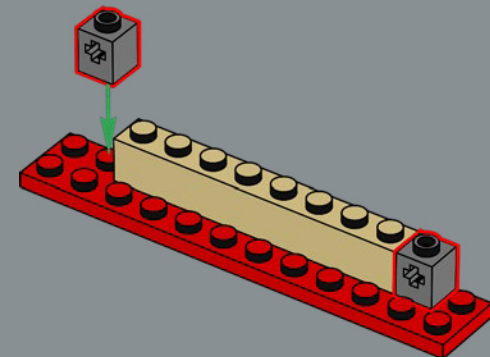




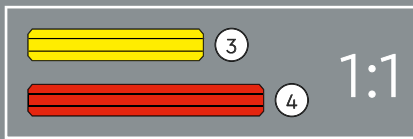
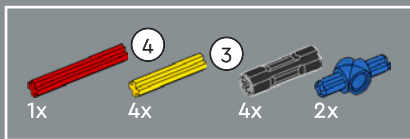
425



426

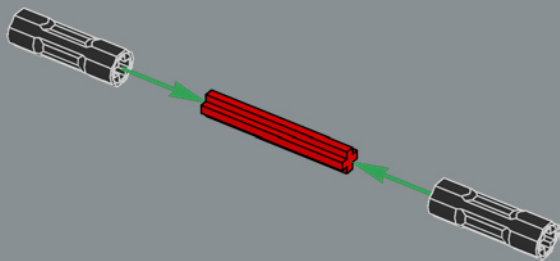




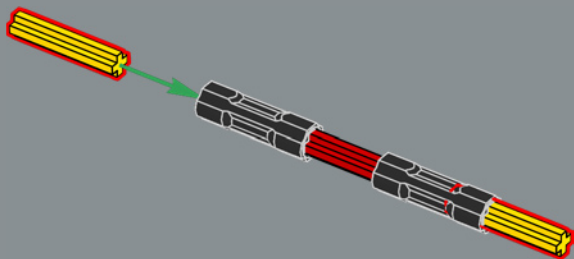


427

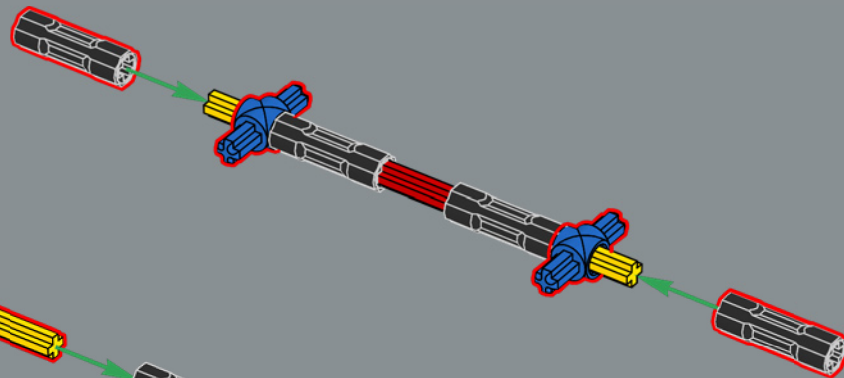
1



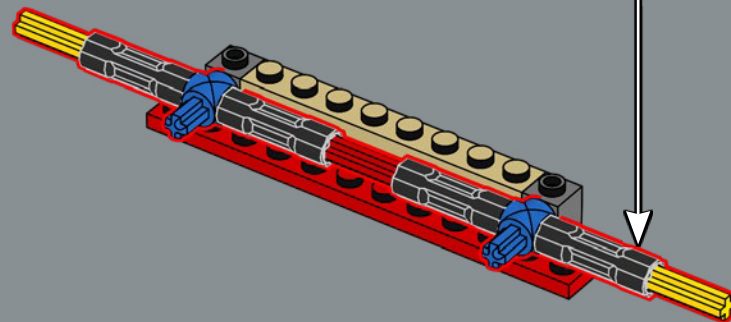
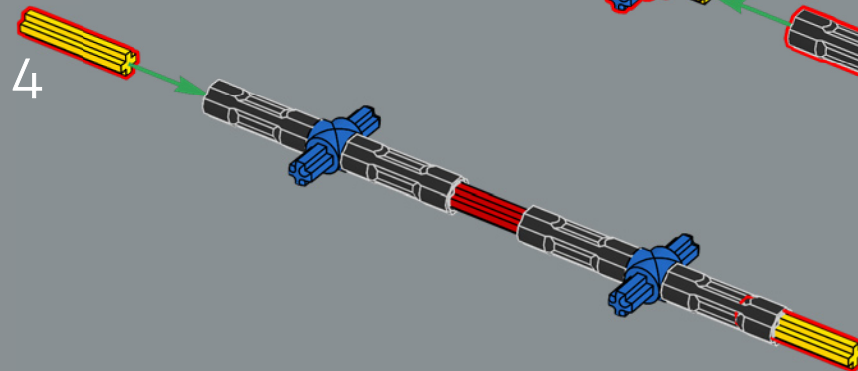
2

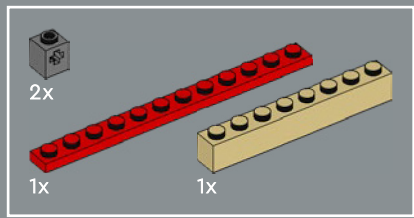


3

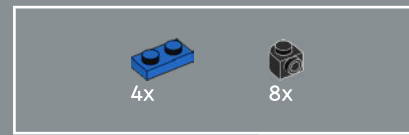
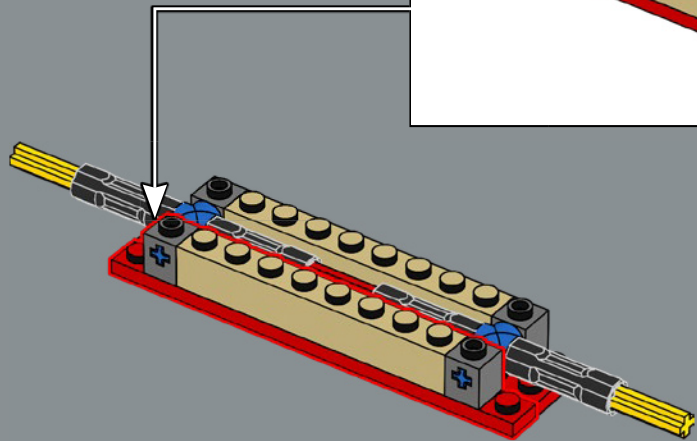
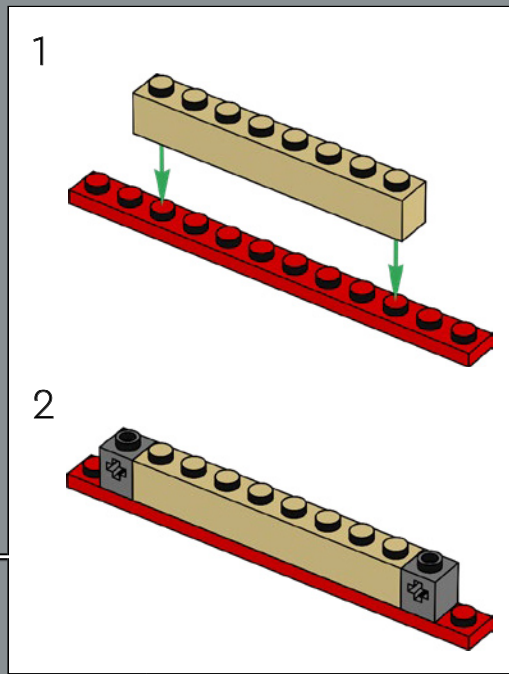


4

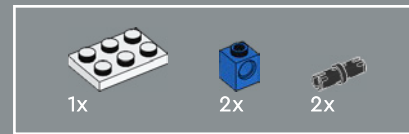
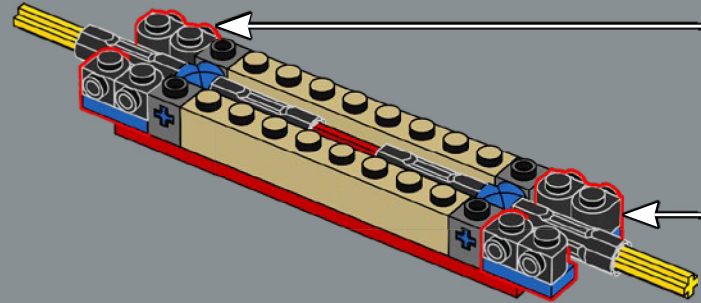
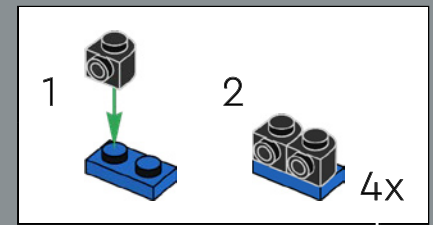




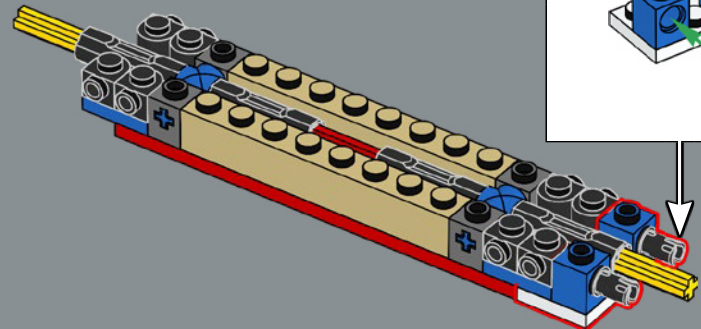
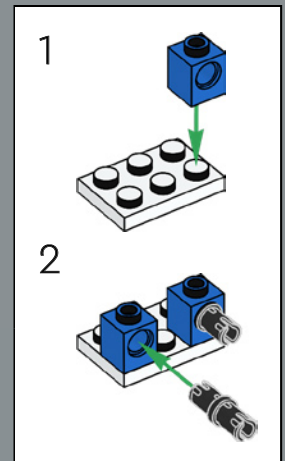
428

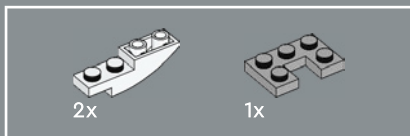


429

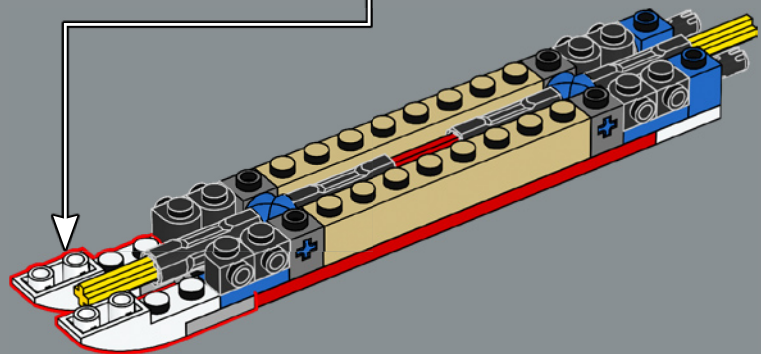
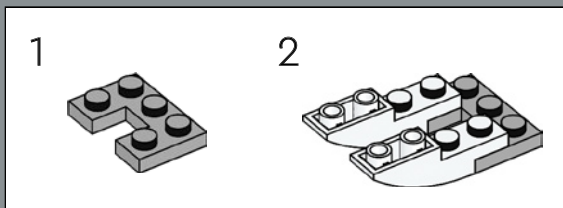


430

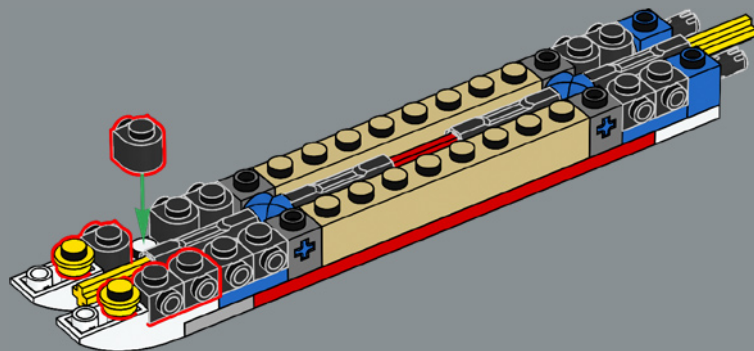


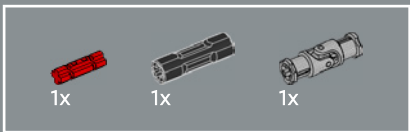


431

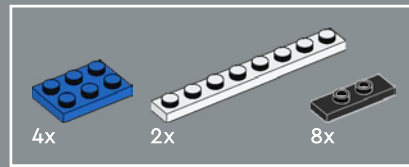
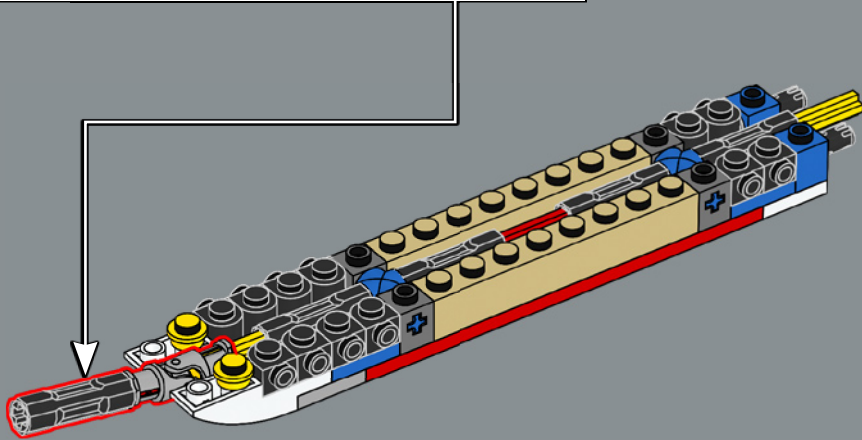
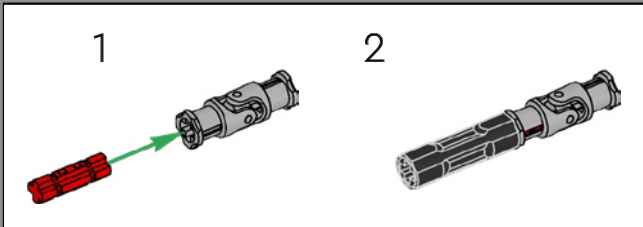


432

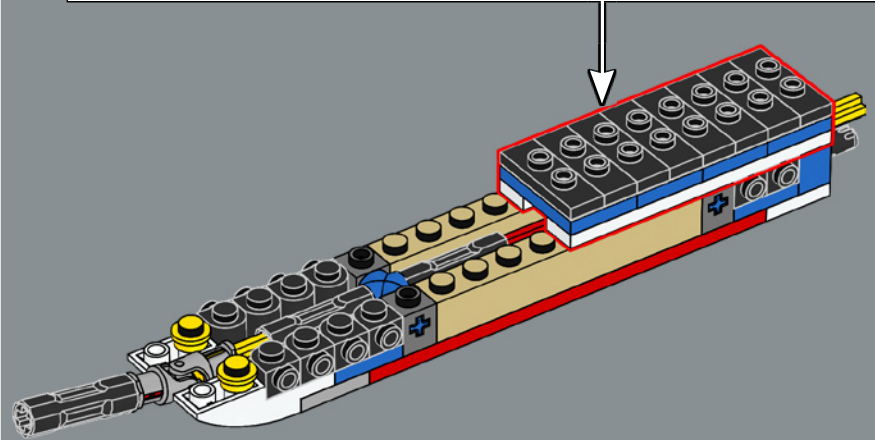
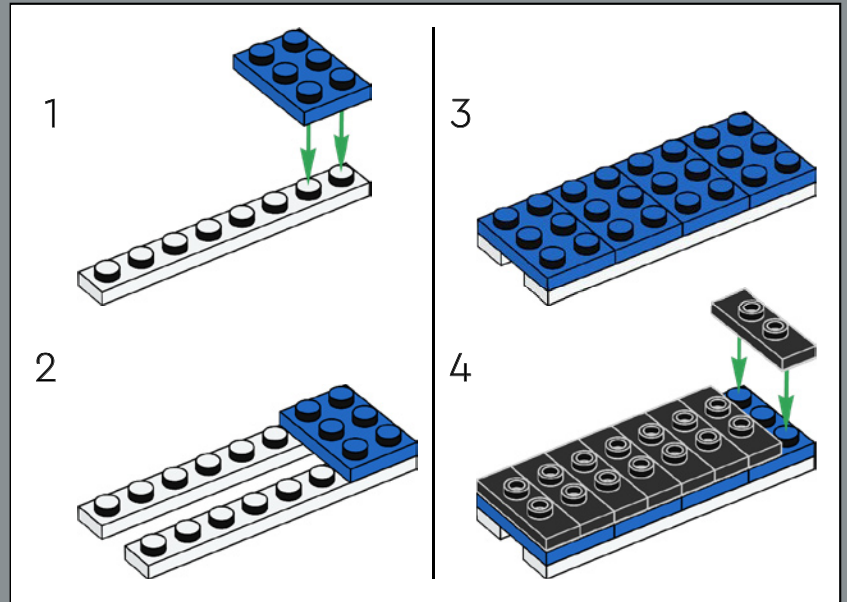




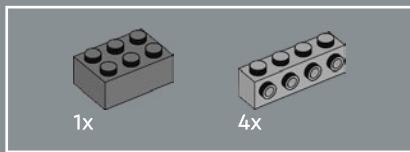
433



434



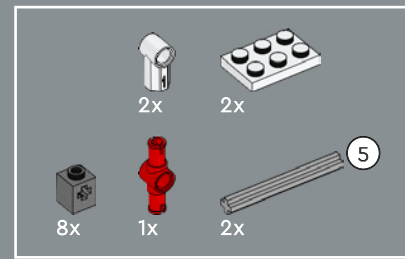
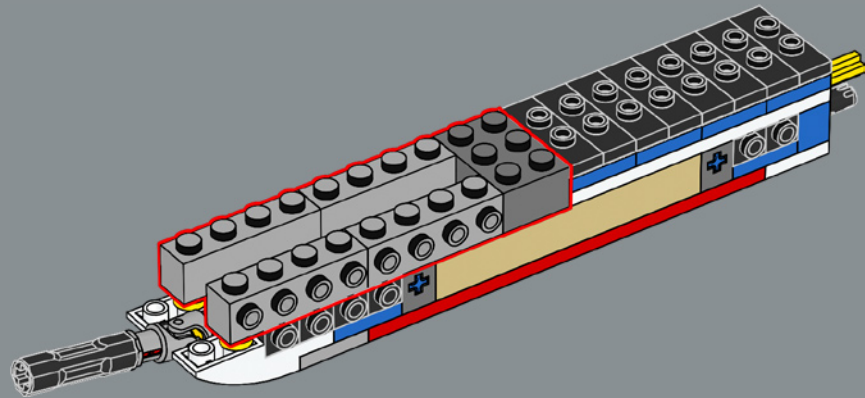




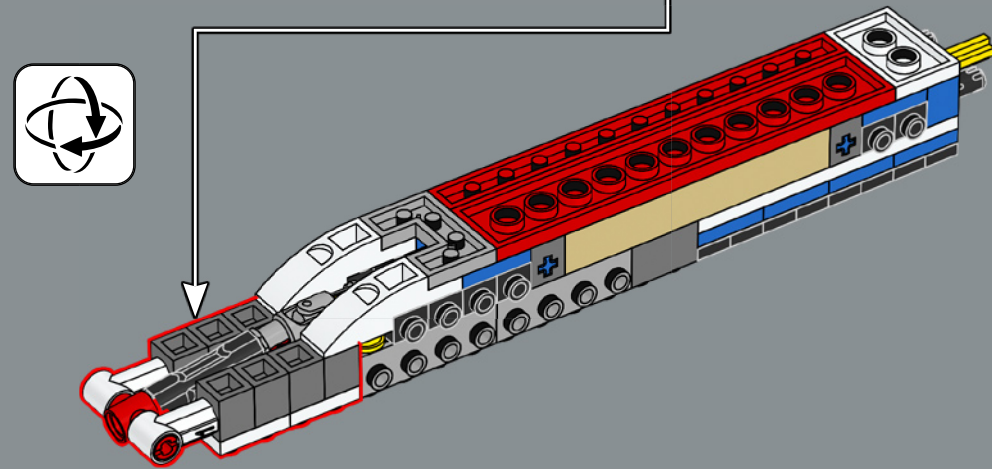
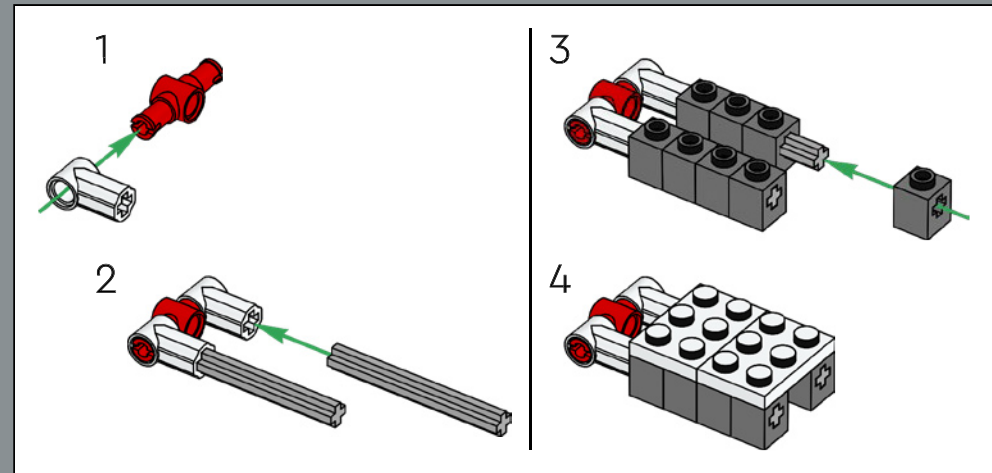
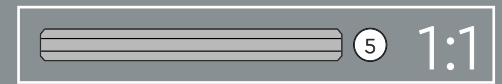
435

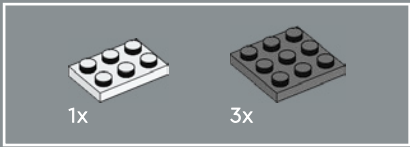


The rear trim tank is a fuel tank held in the tail of the aircraft. The centre of gravity of the Concorde had to be different for take-off and supersonic cruising, so the flight engineer transferred fuel between tanks to adjust the aircraft's centre of gravity.

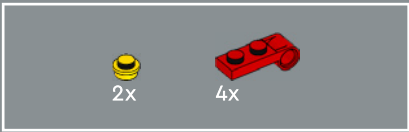
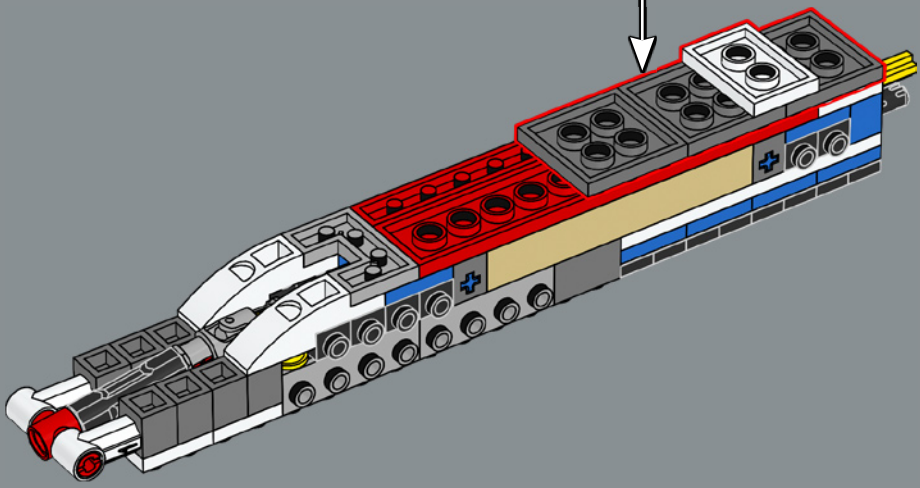
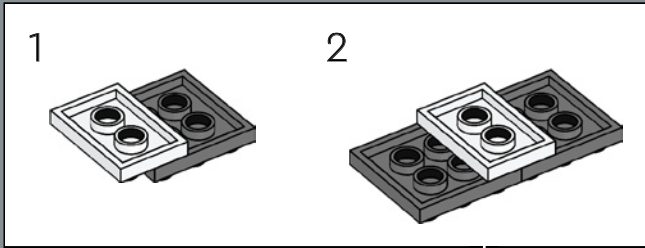


436

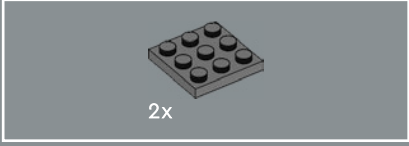
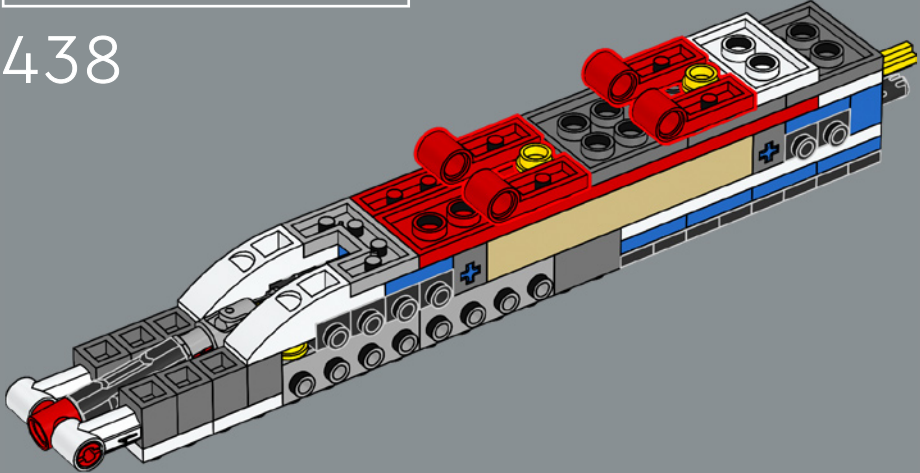




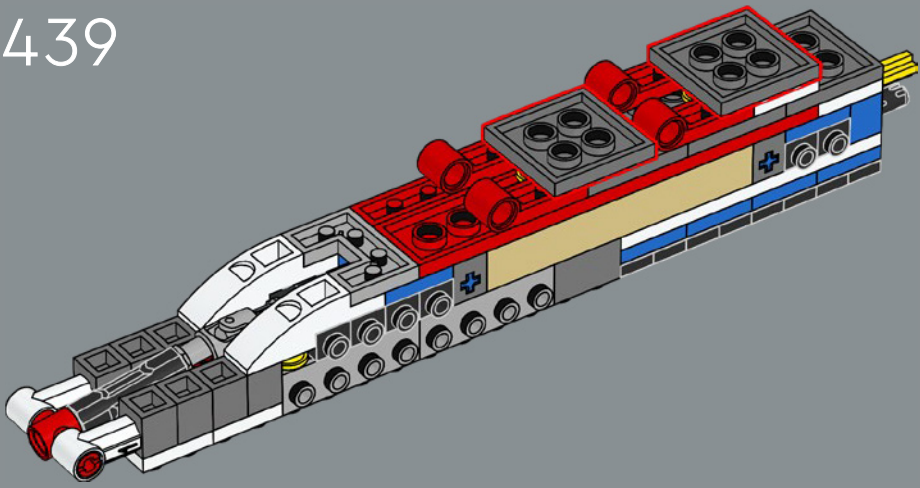
437

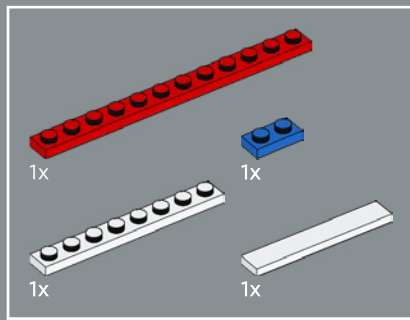


438

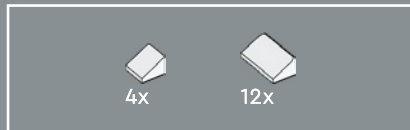
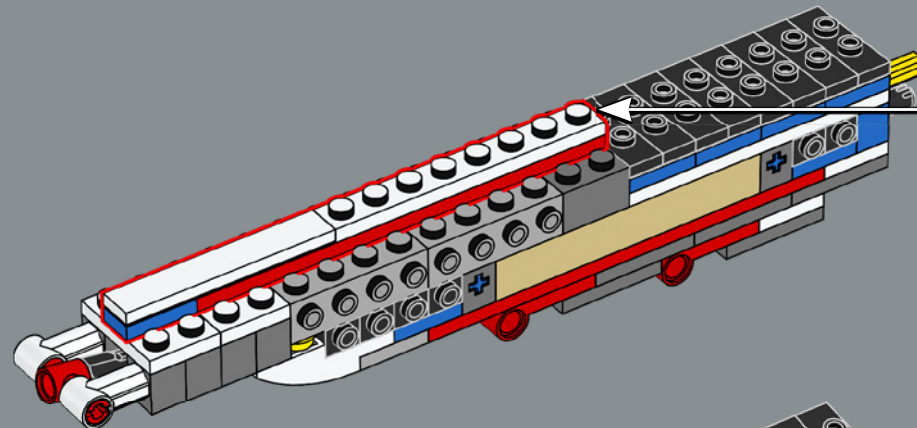
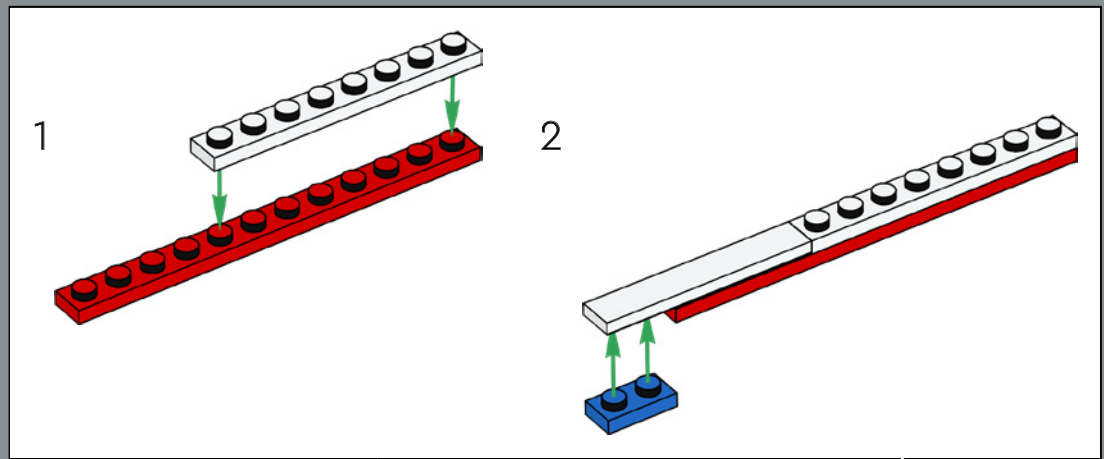


439

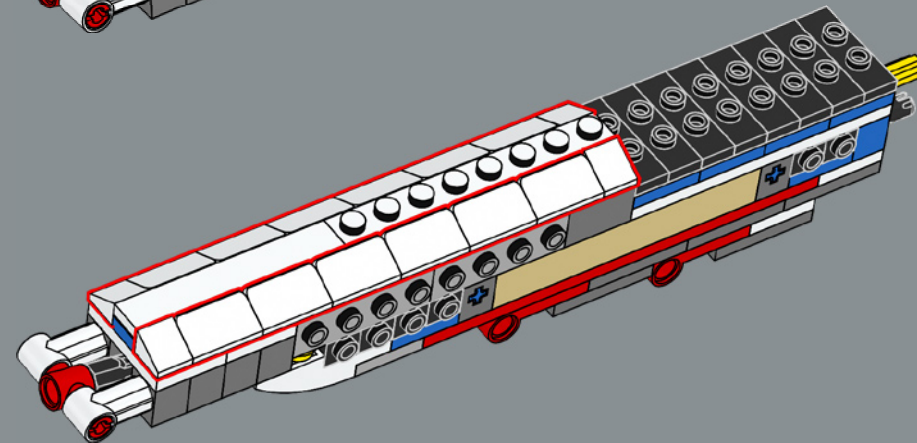




440

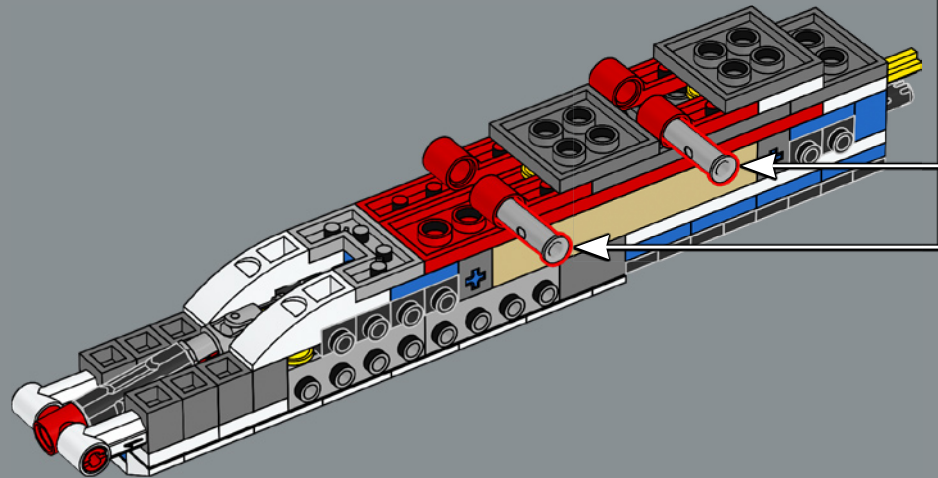
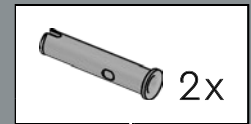


441

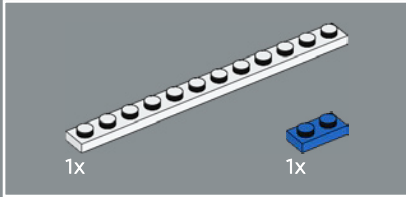
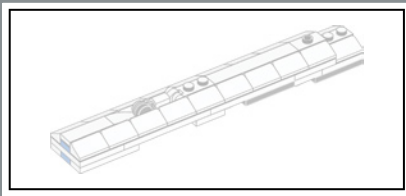




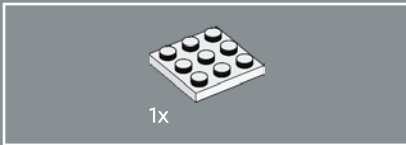
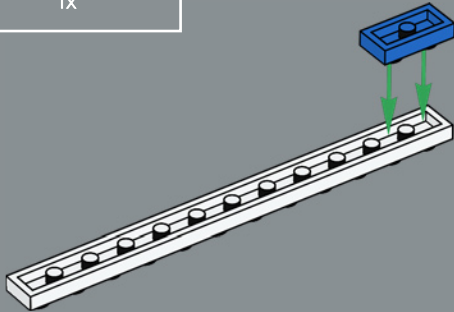
442



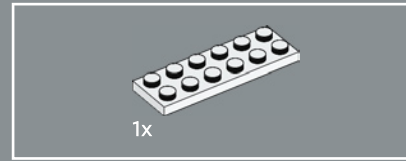
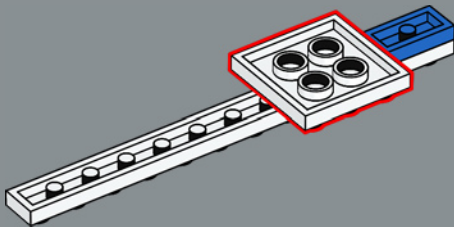




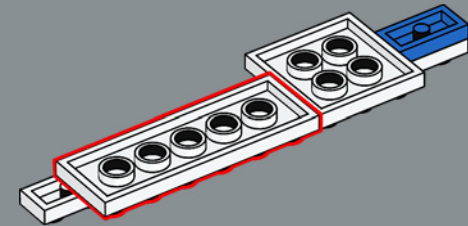
443



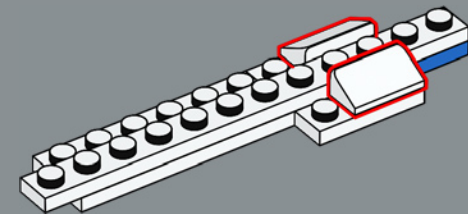
444



445



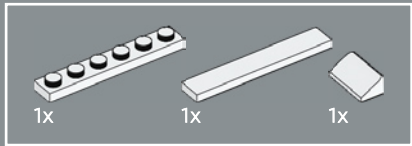
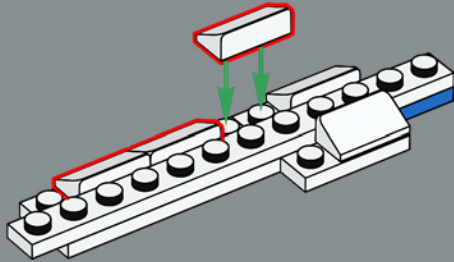
446



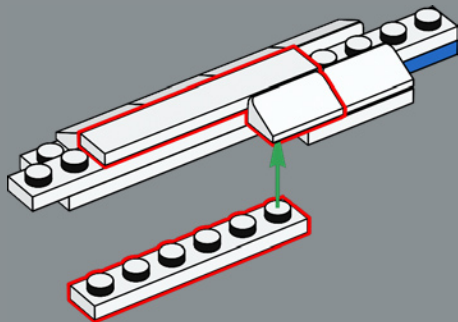


3x

447

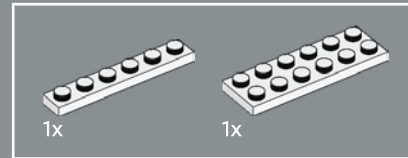
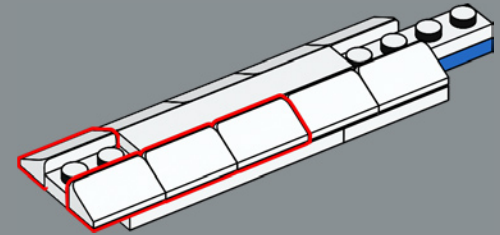


448

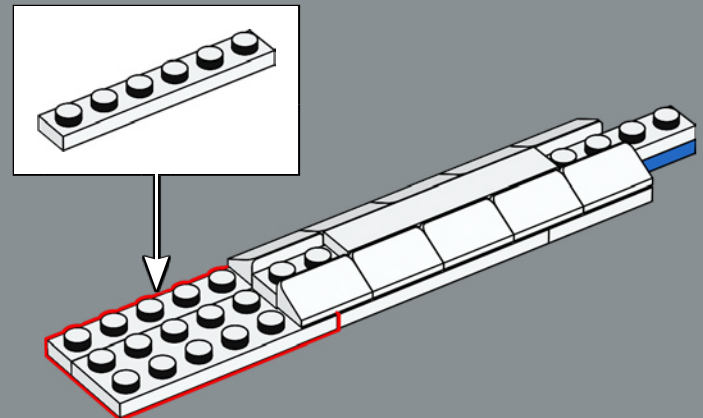


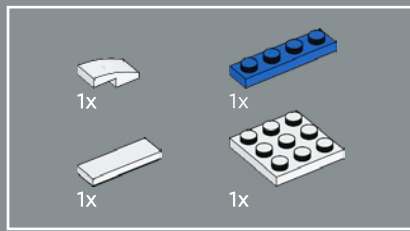
4x

449

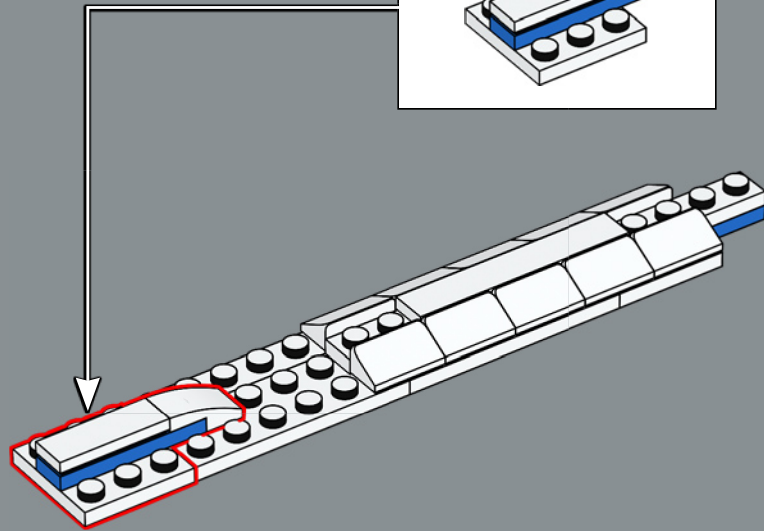
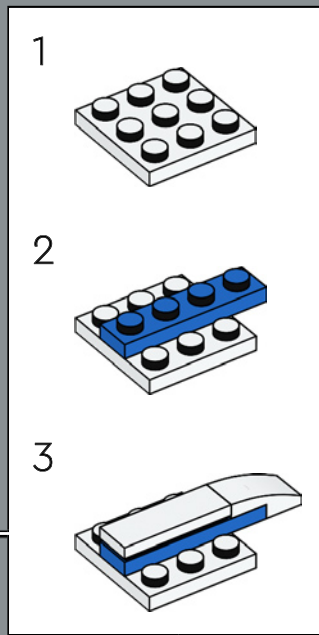


450

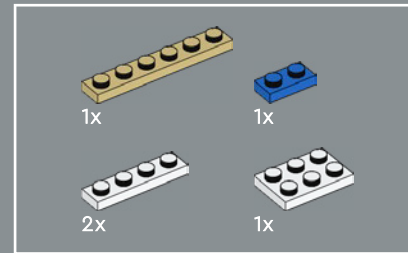
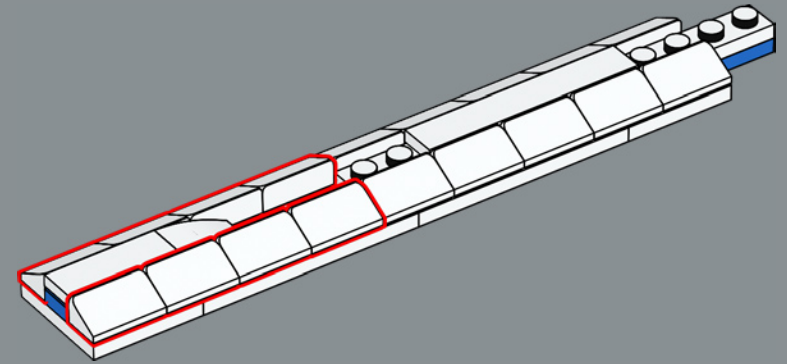




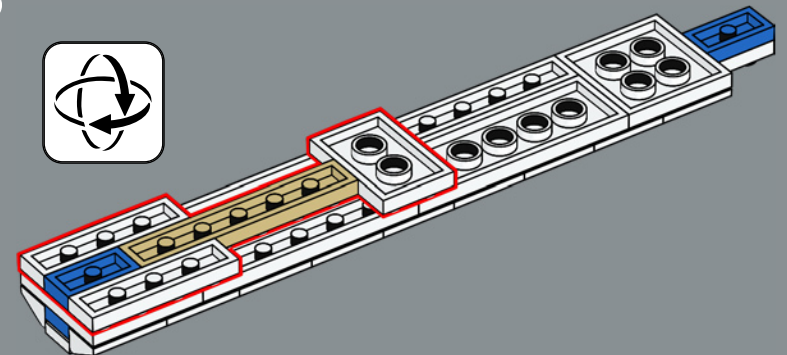
451

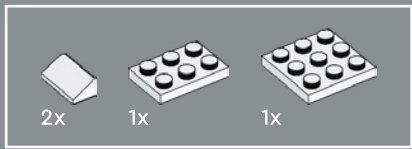


452

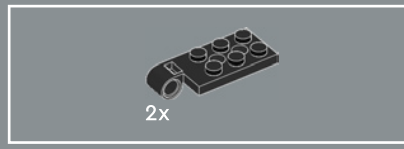
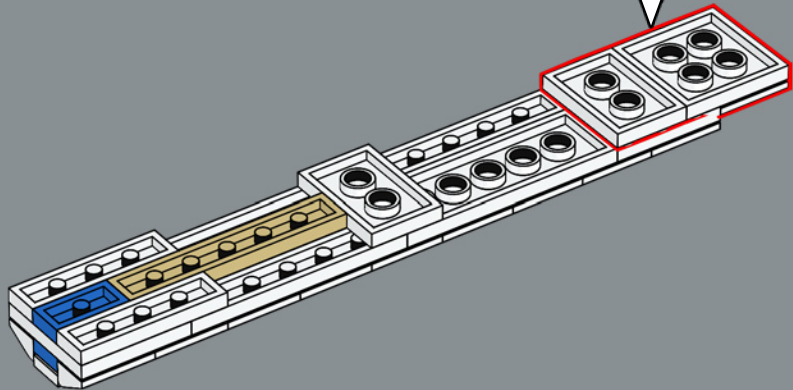
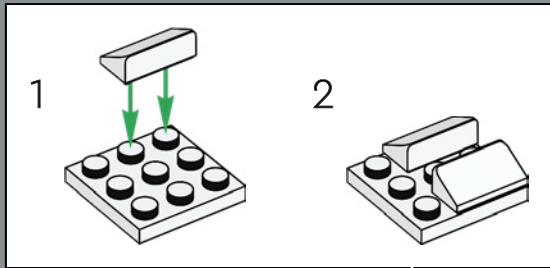


453

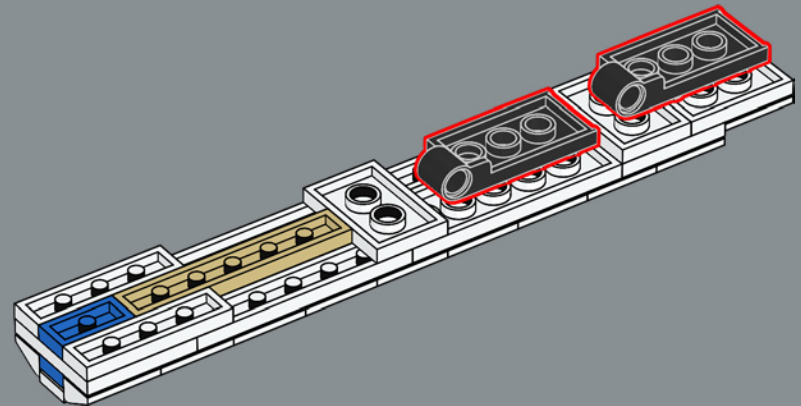




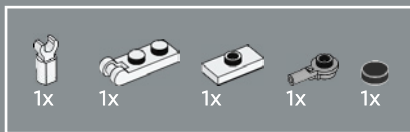
454



455

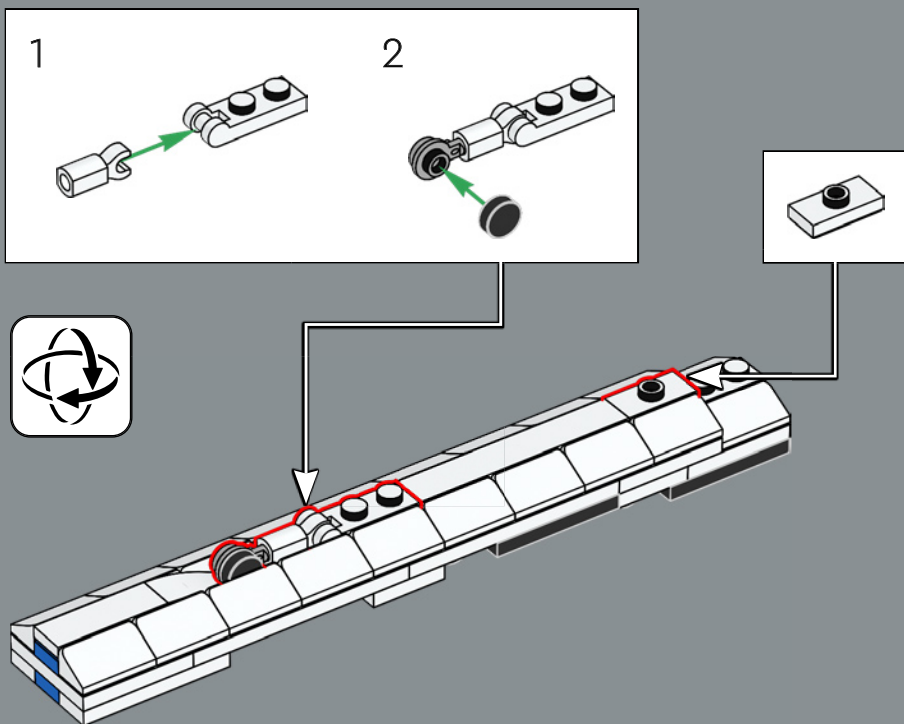






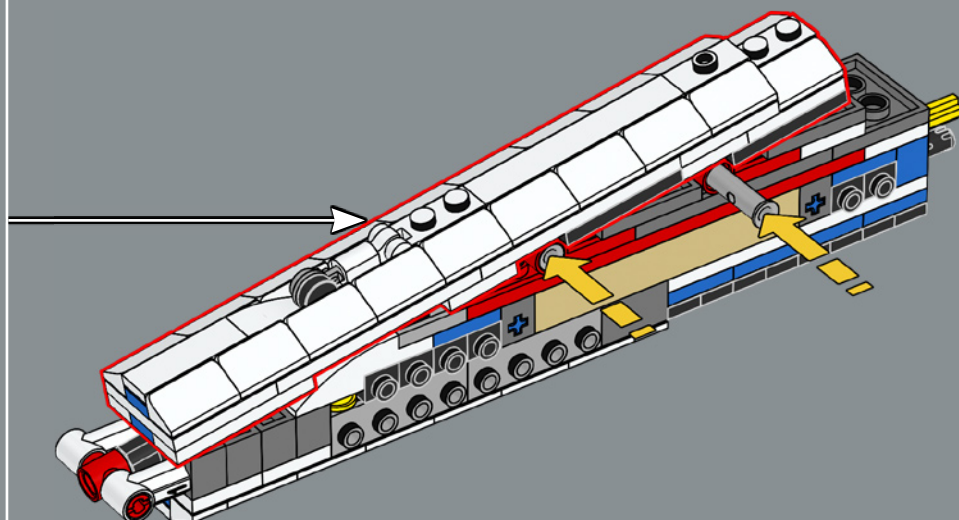
As Concorde required a high angle of attack to optimise the delta wing's lift on take-off and landing, the aircraft featured a small tail bumper wheel to ensure the rear of the plane didn't hit the ground.

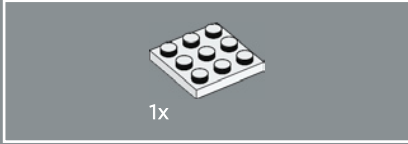
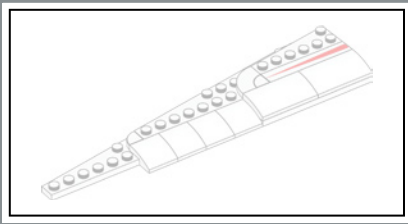
# 456



The underside of the tail is connected here with a reflected triangle, achieving the sleek tapered form that makes Concorde so iconic.

# 457





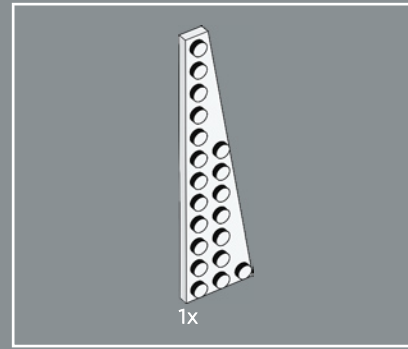
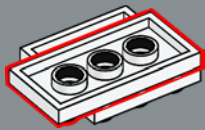
1x

458



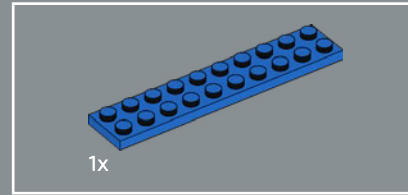
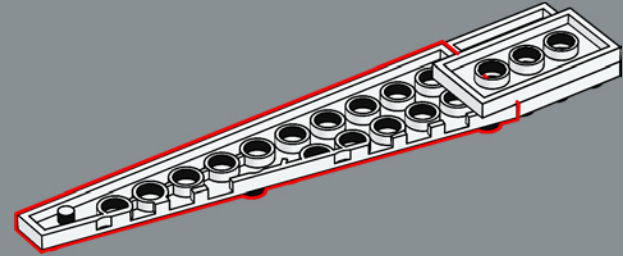
1x

459



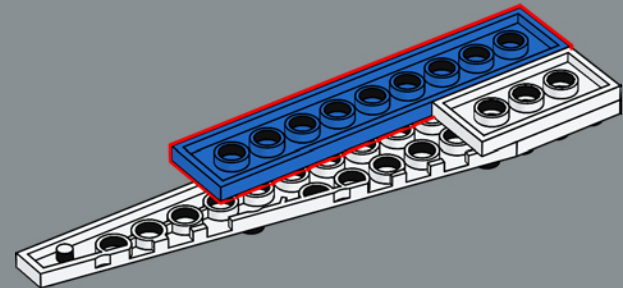
1x

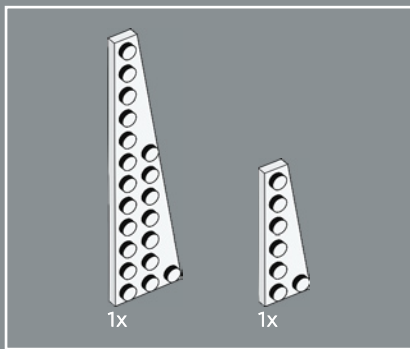
460



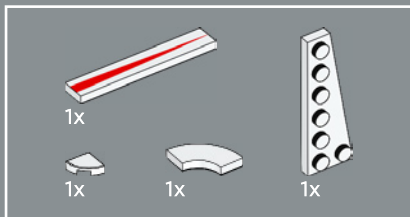
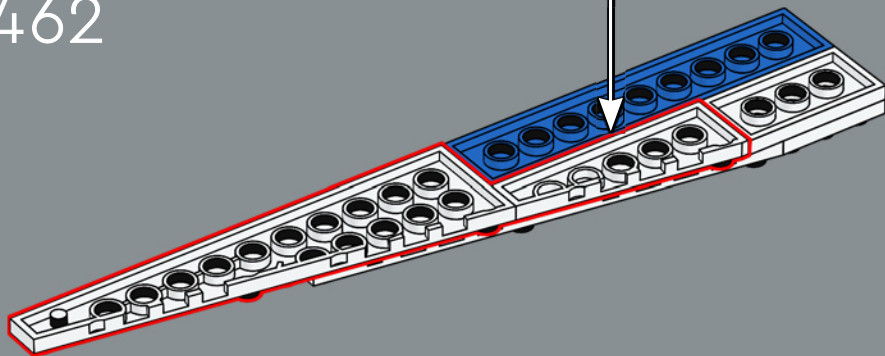
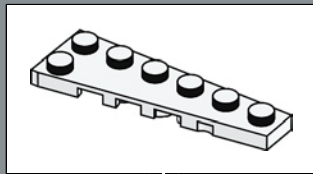
1x

461

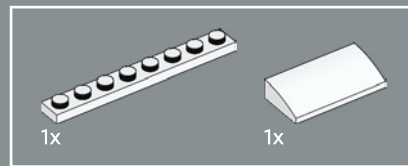
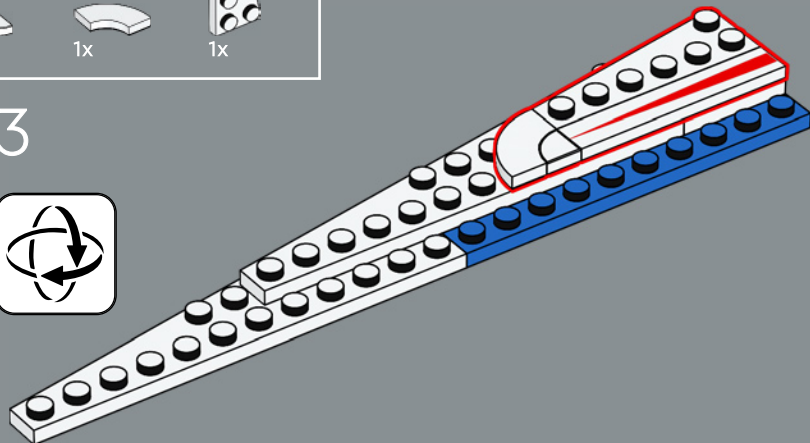




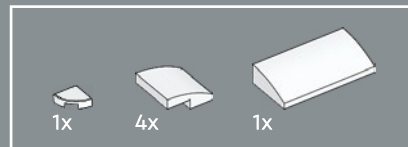
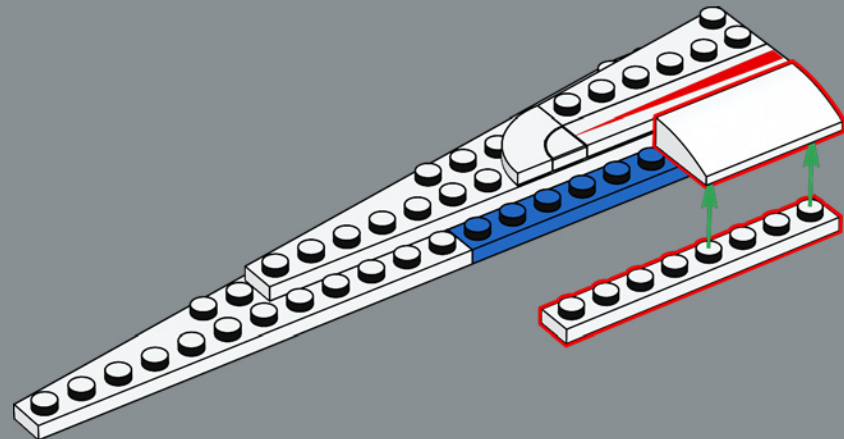
462



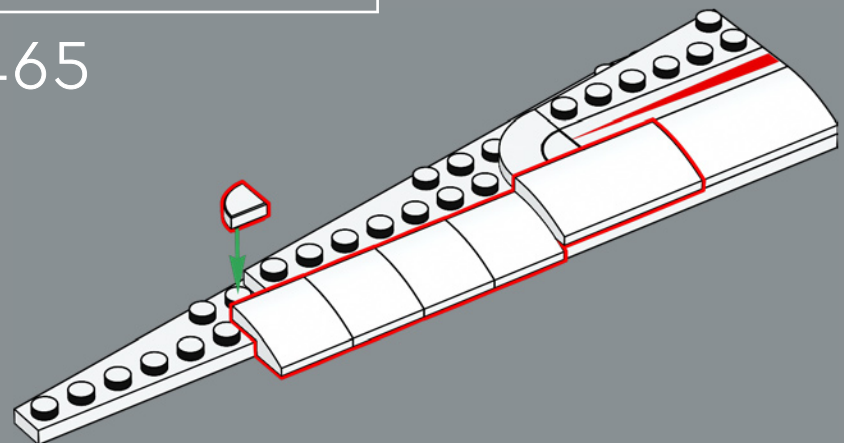
463



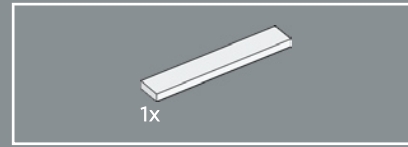
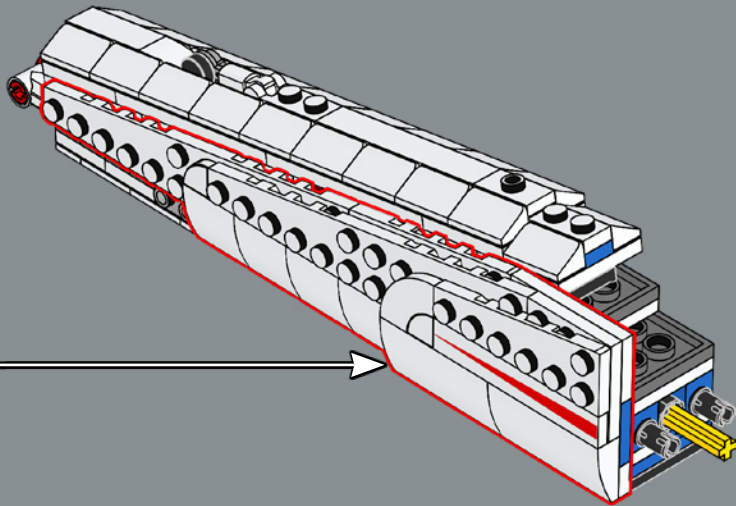
464



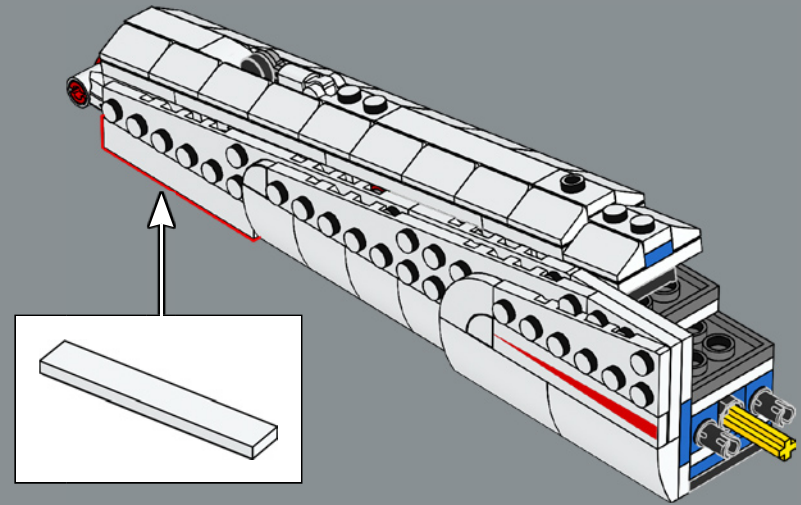
465



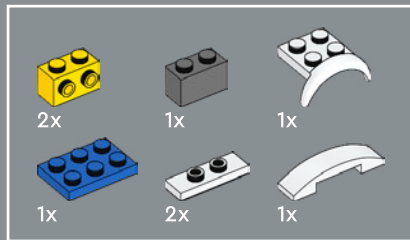
466



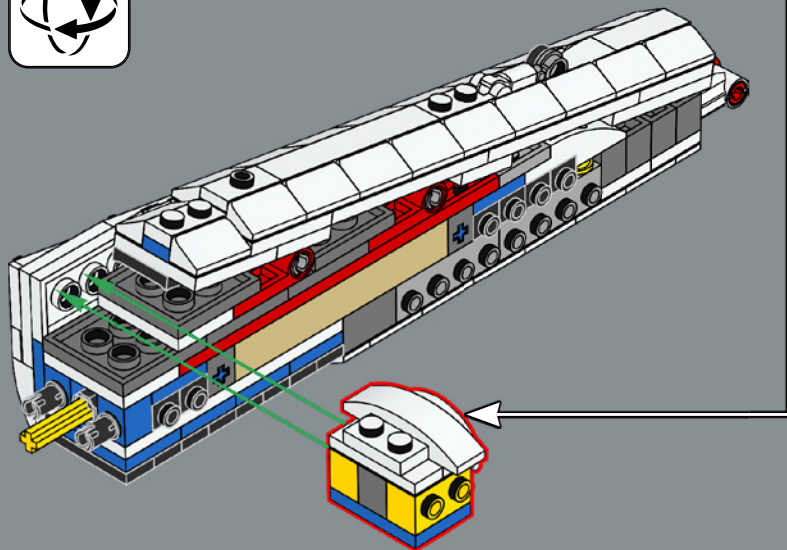
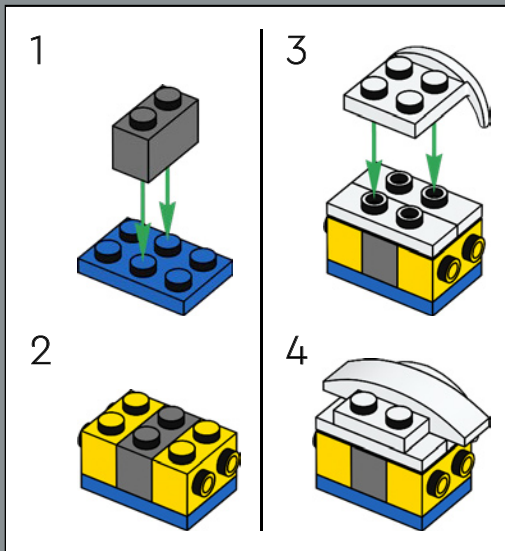
467



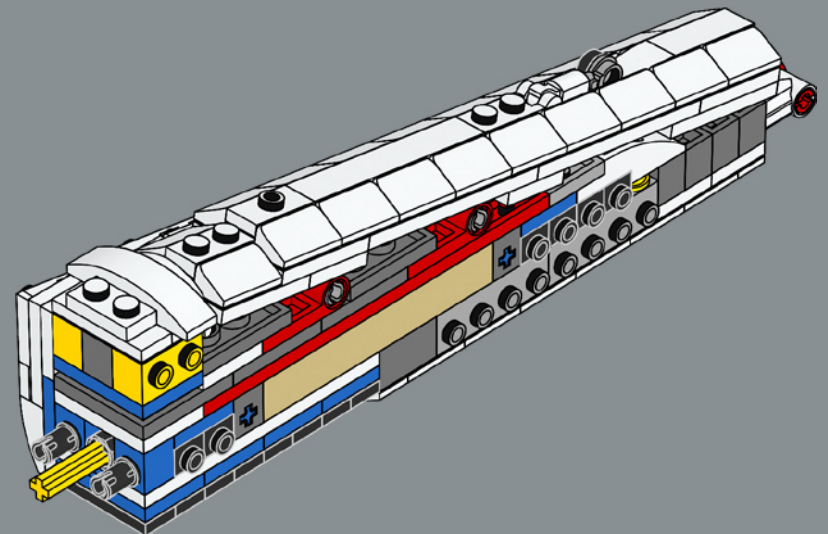


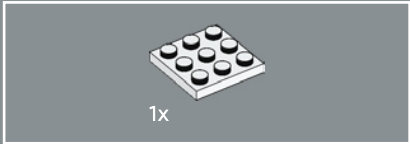
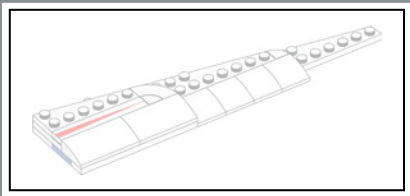


468



469

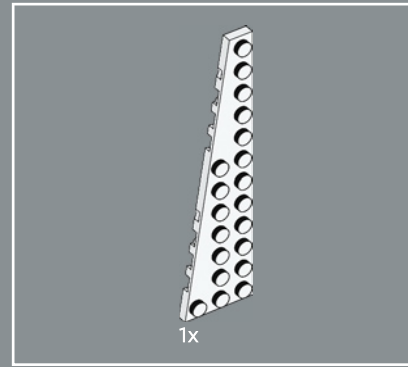




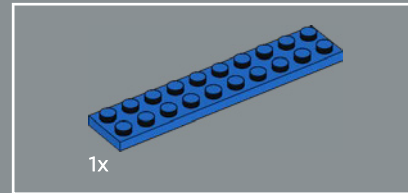
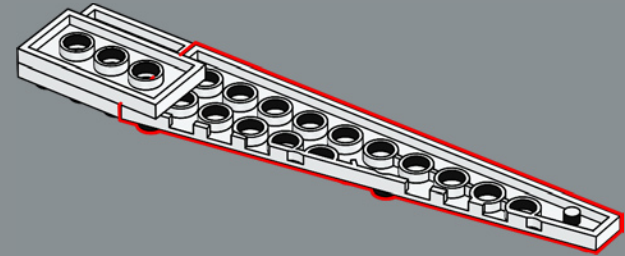
470



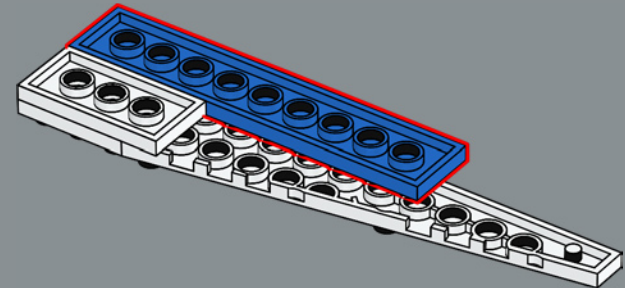
471

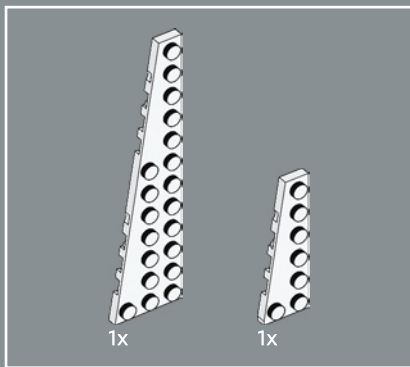


472

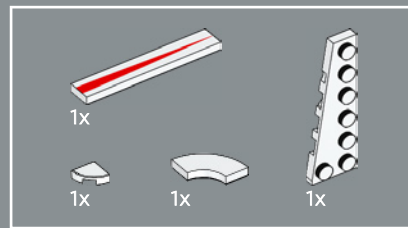
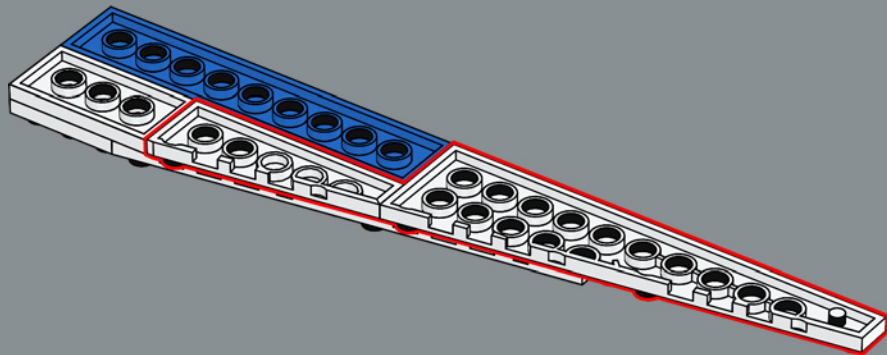


473

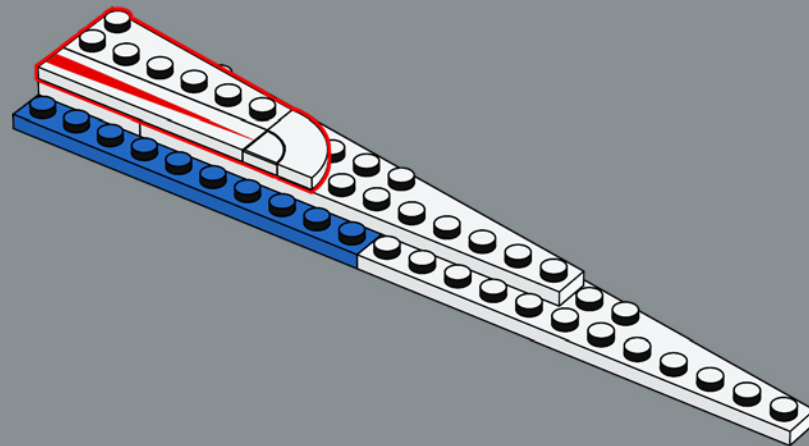


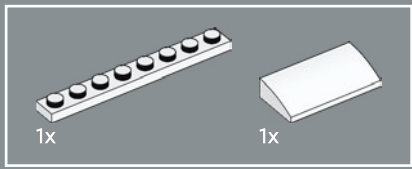


474

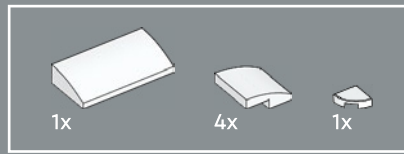
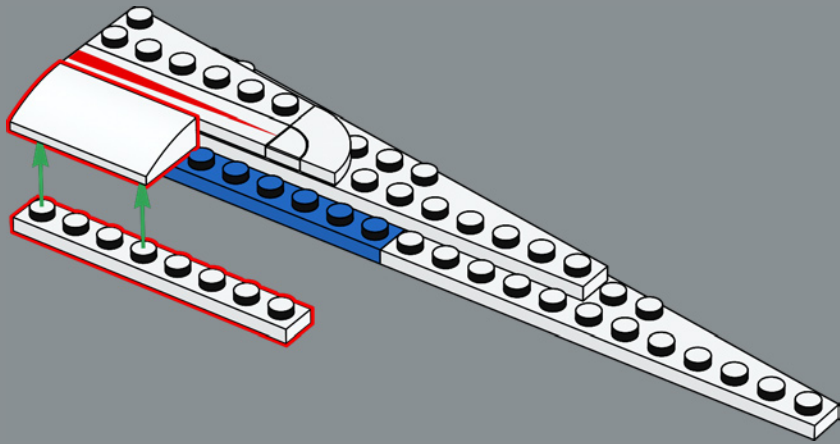


475

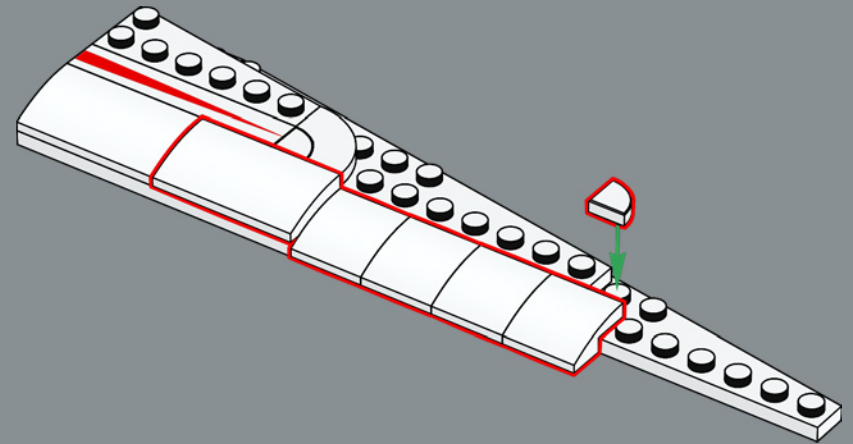




476

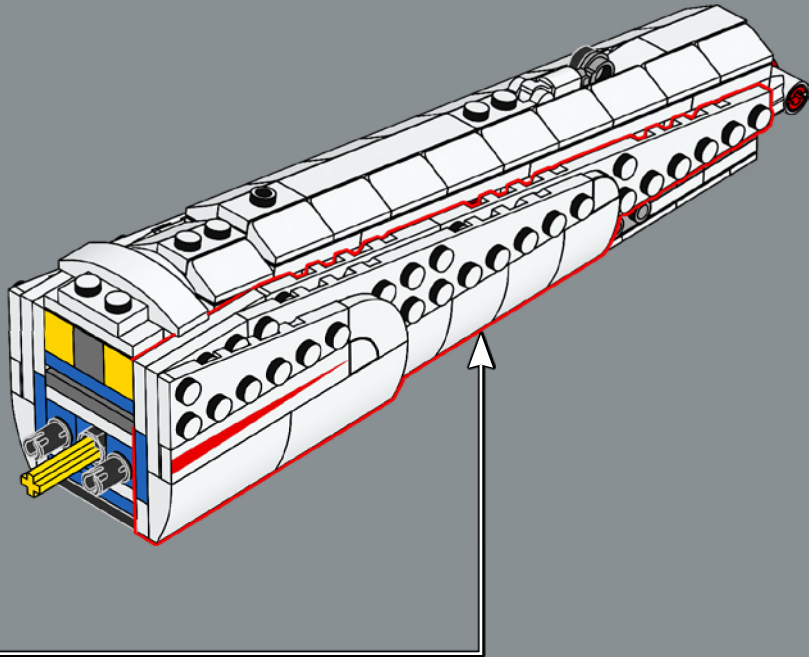


477

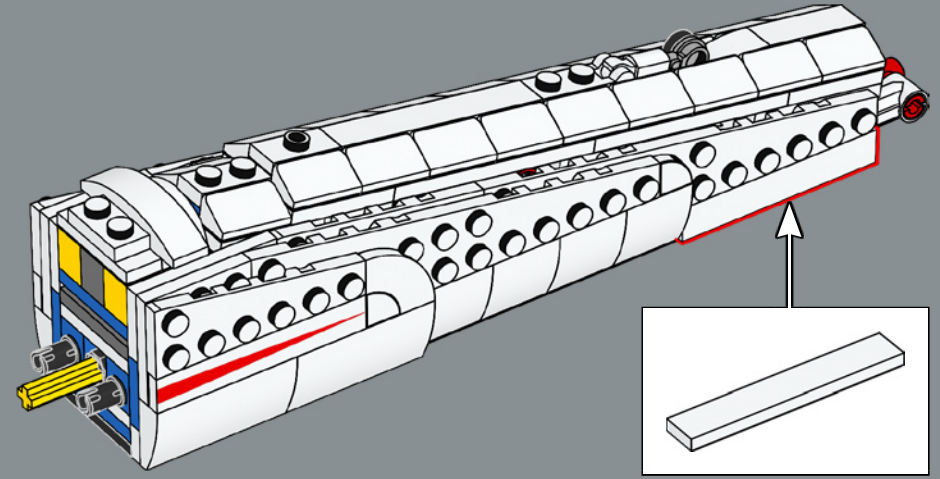
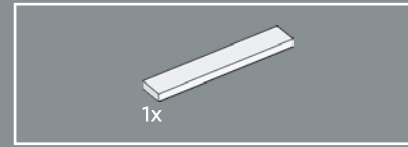


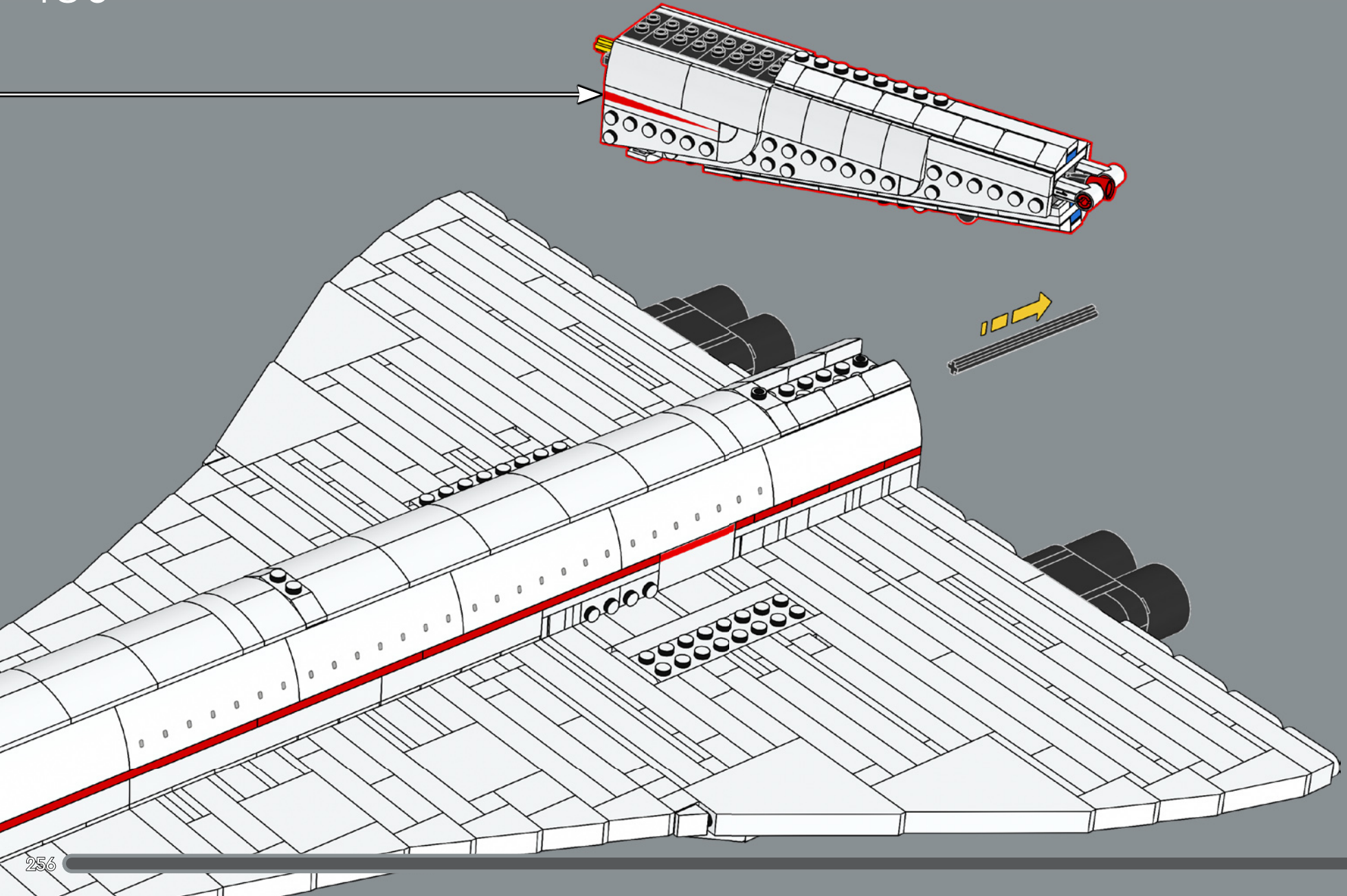


478



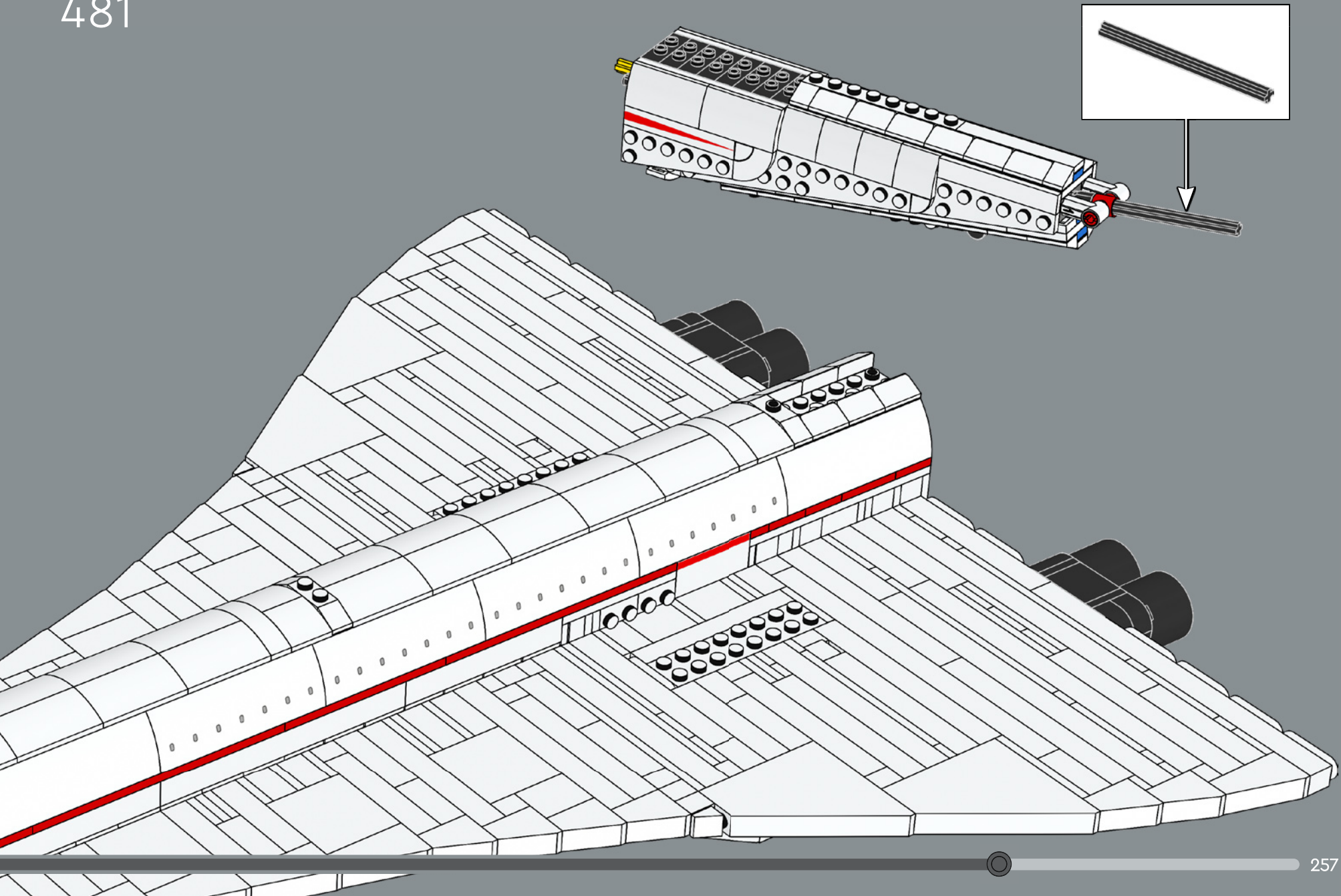
479

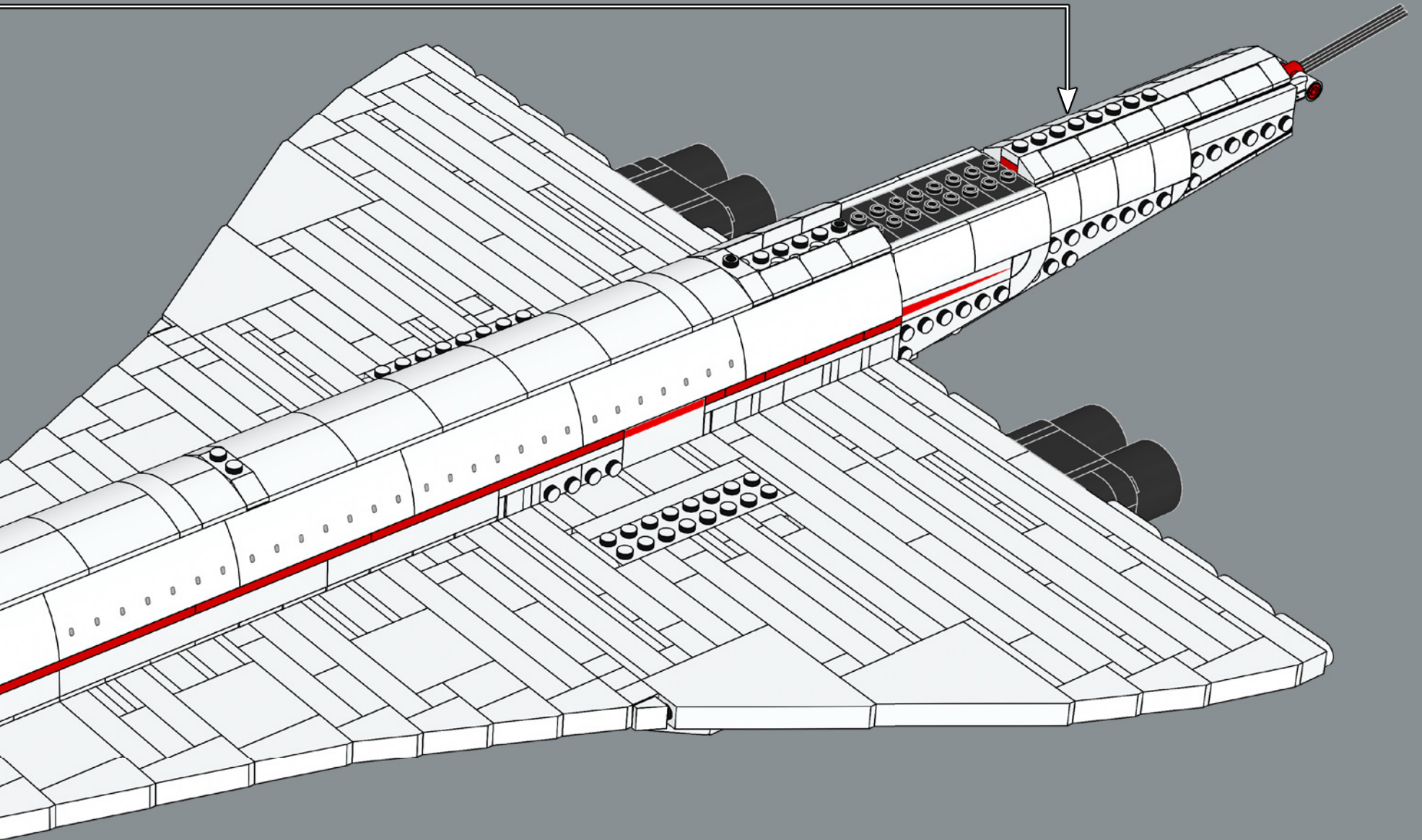




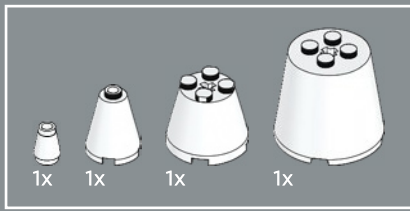


481

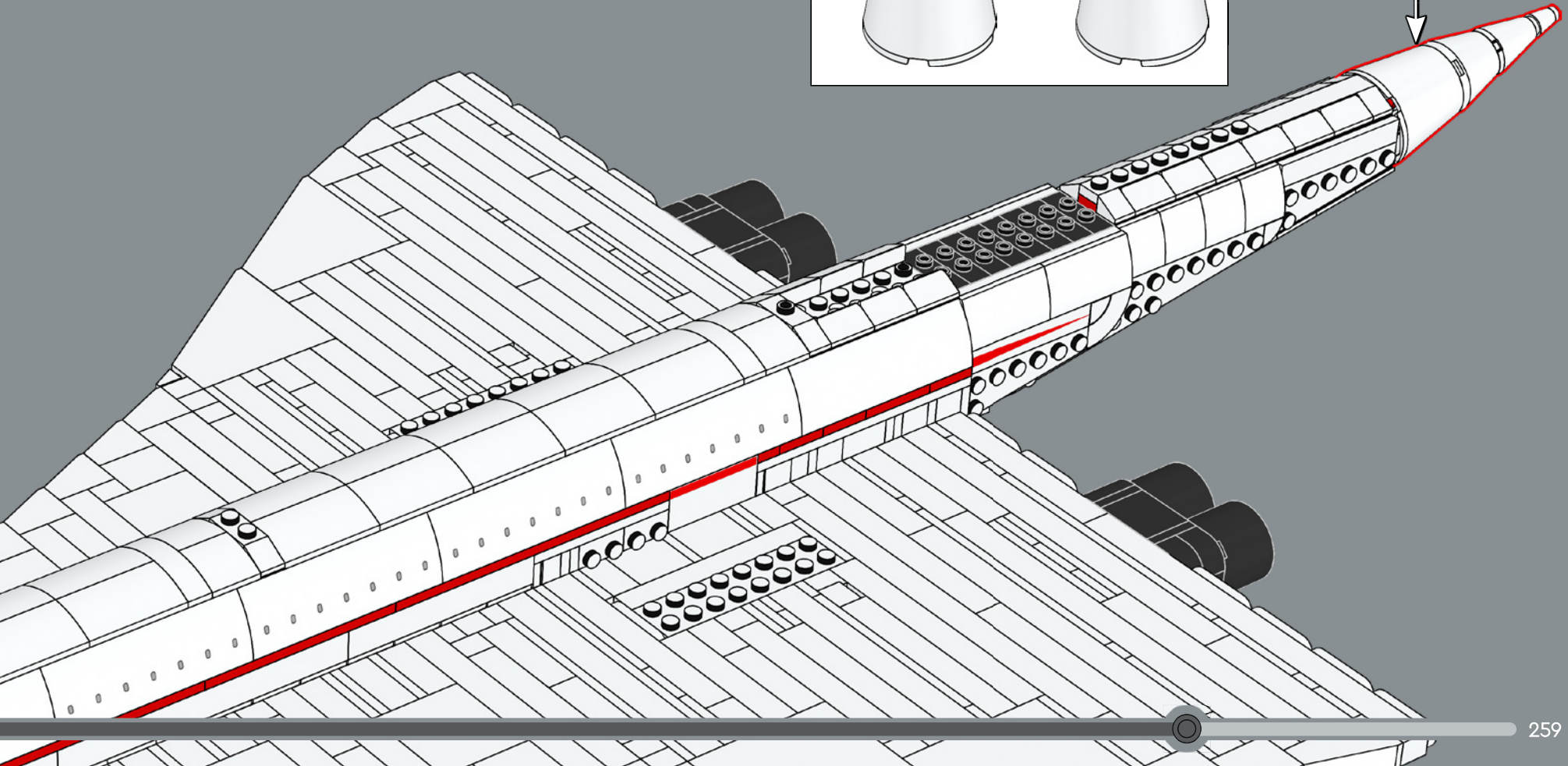
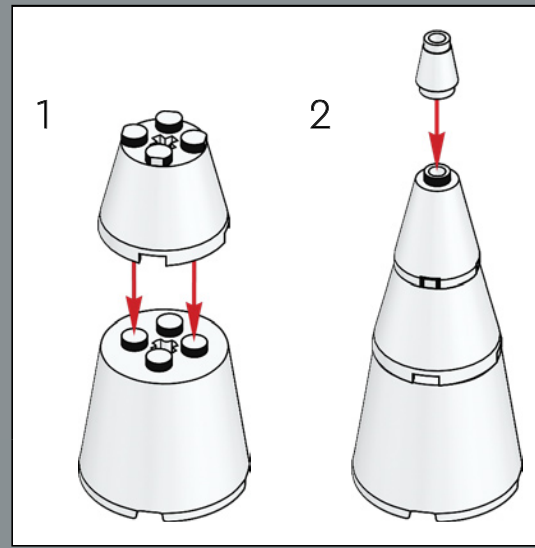


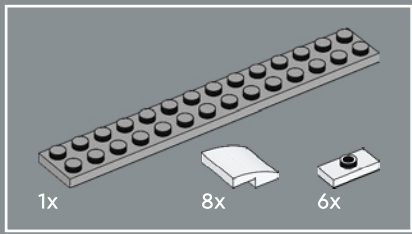




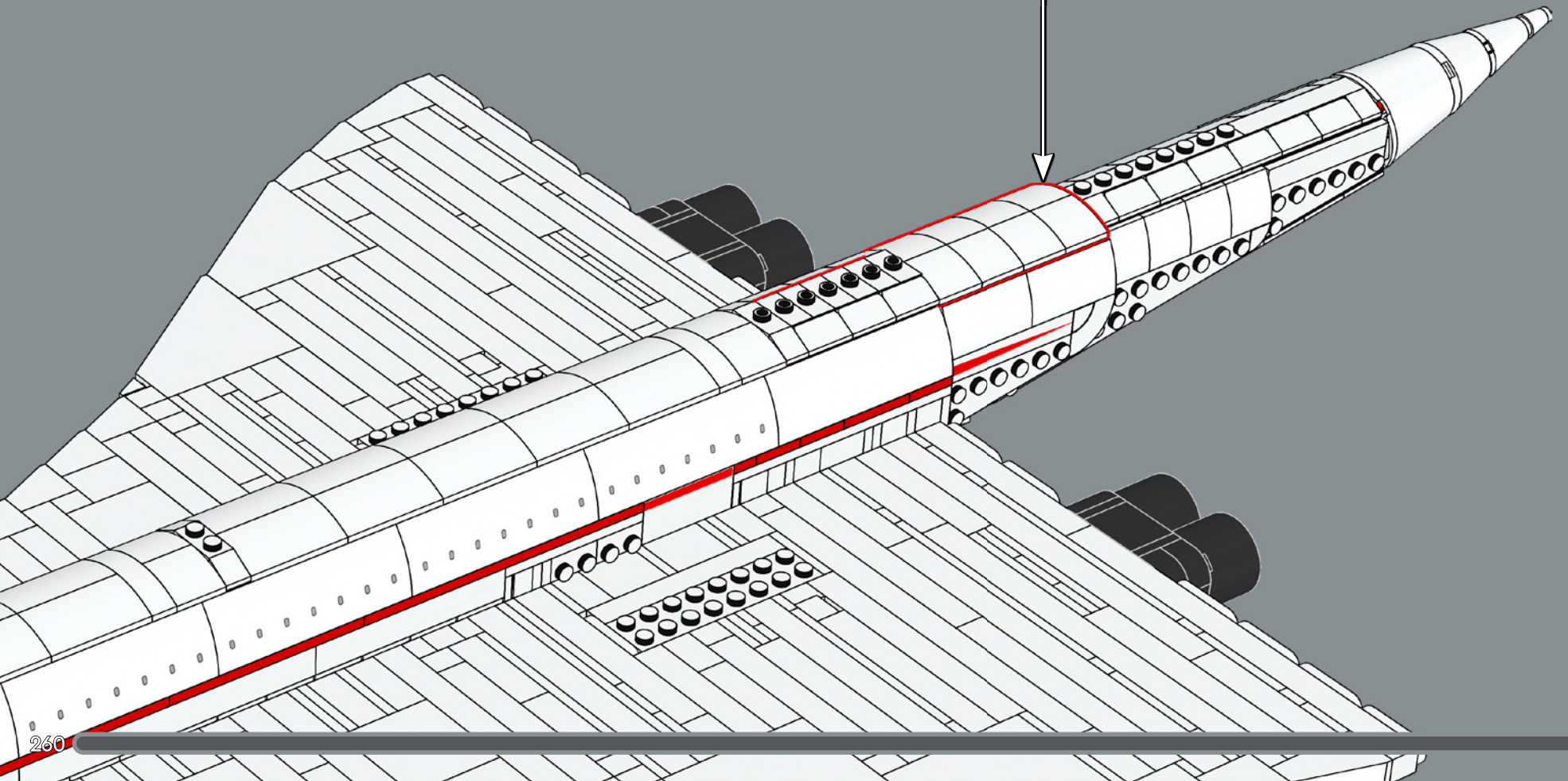
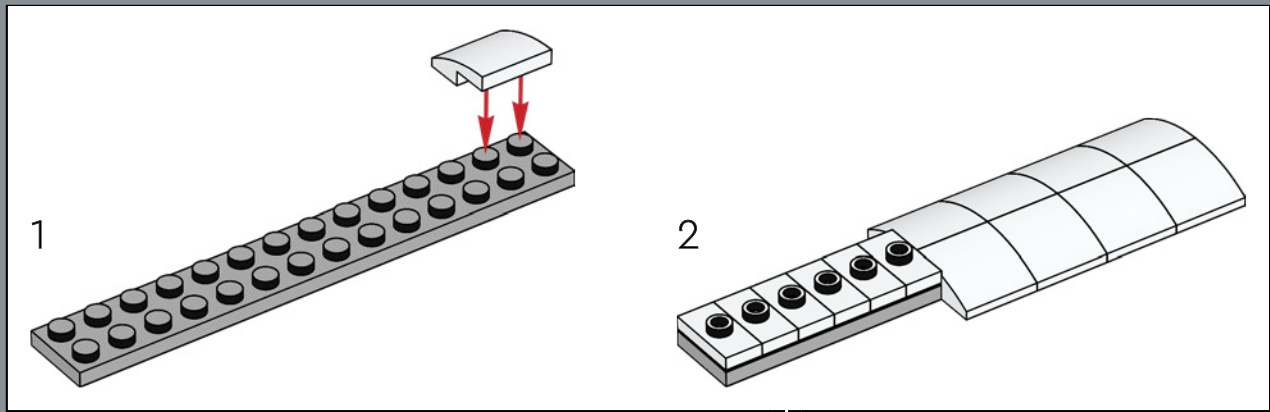


483

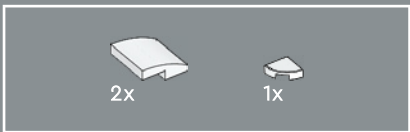




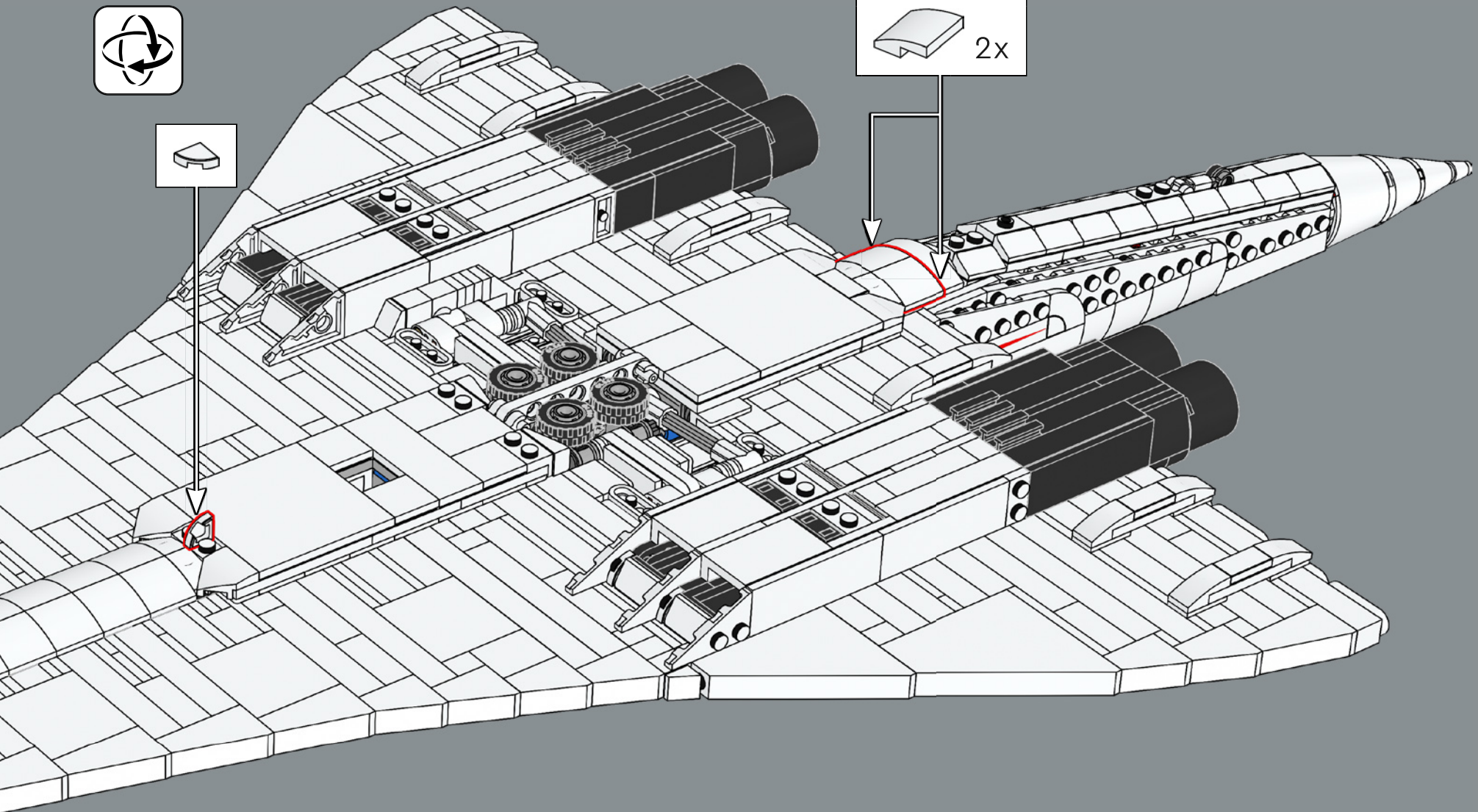
484



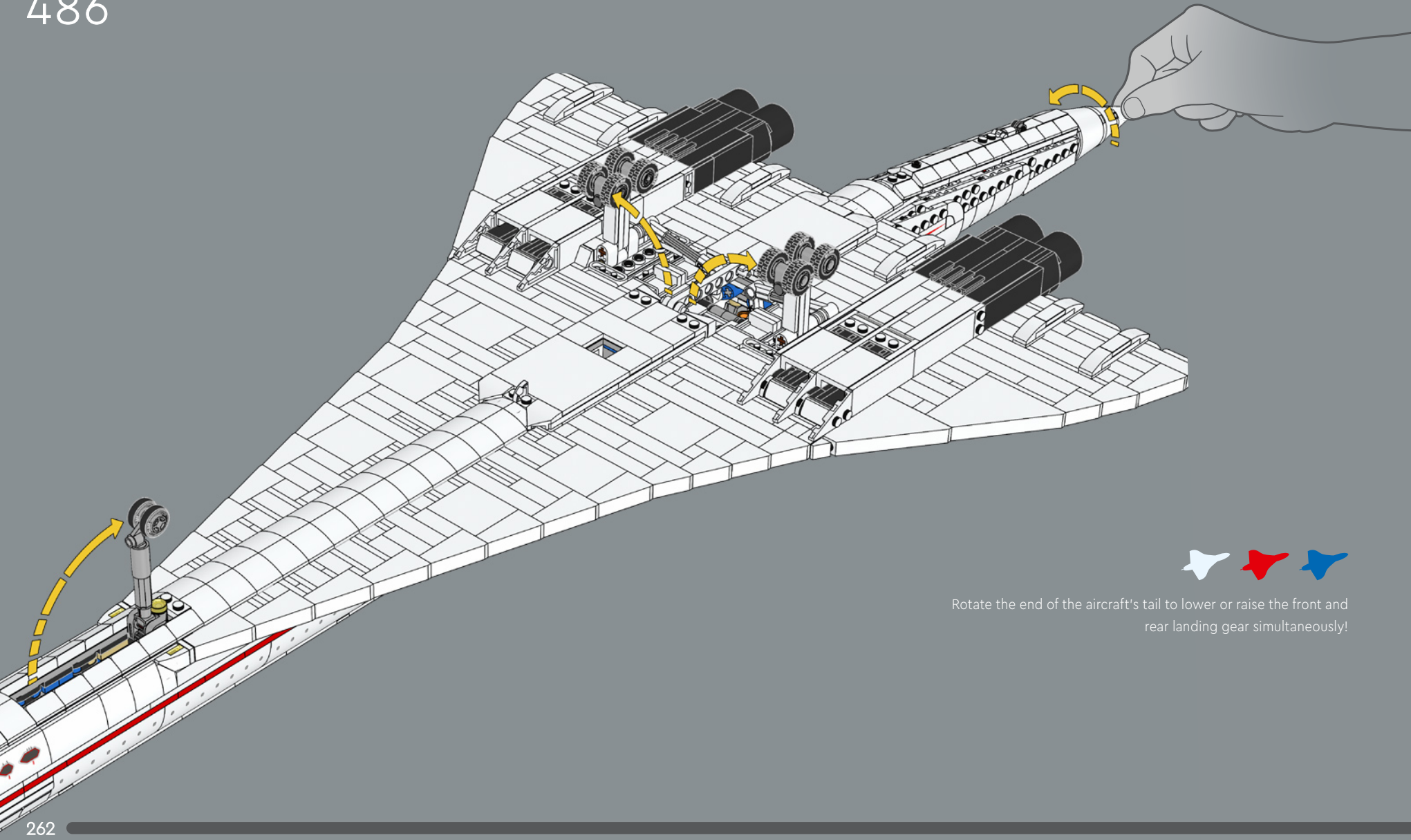




485



486

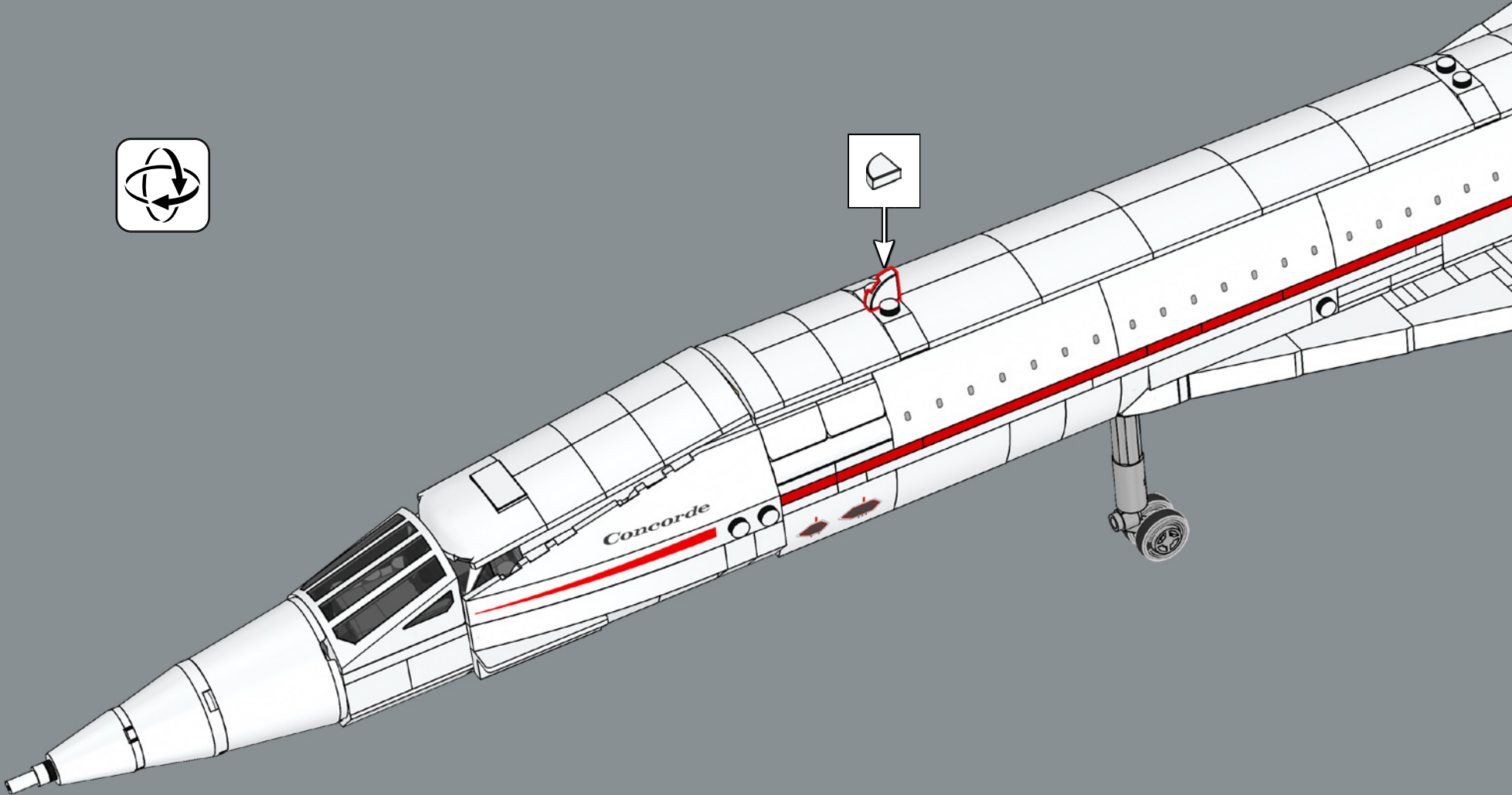


Rotate the end of the aircraft's tail to lower or raise the front and rear landing gear simultaneously!



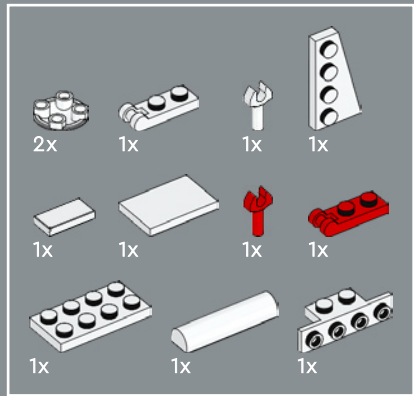


487





Twenty Concordes were built, six developmental and fourteen commercial aircraft. Most stayed in service for 27 years.

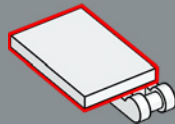


488

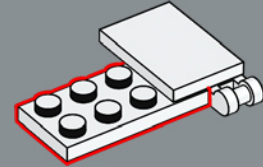
1



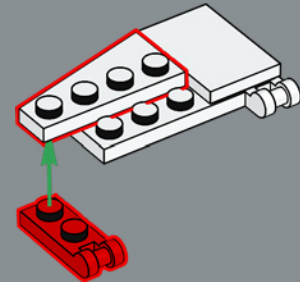
2



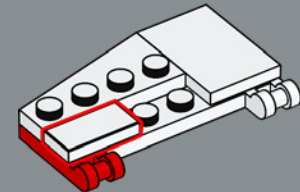
3



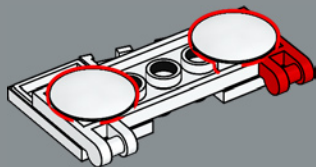
4



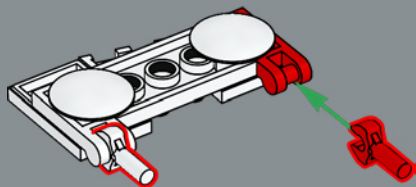
5



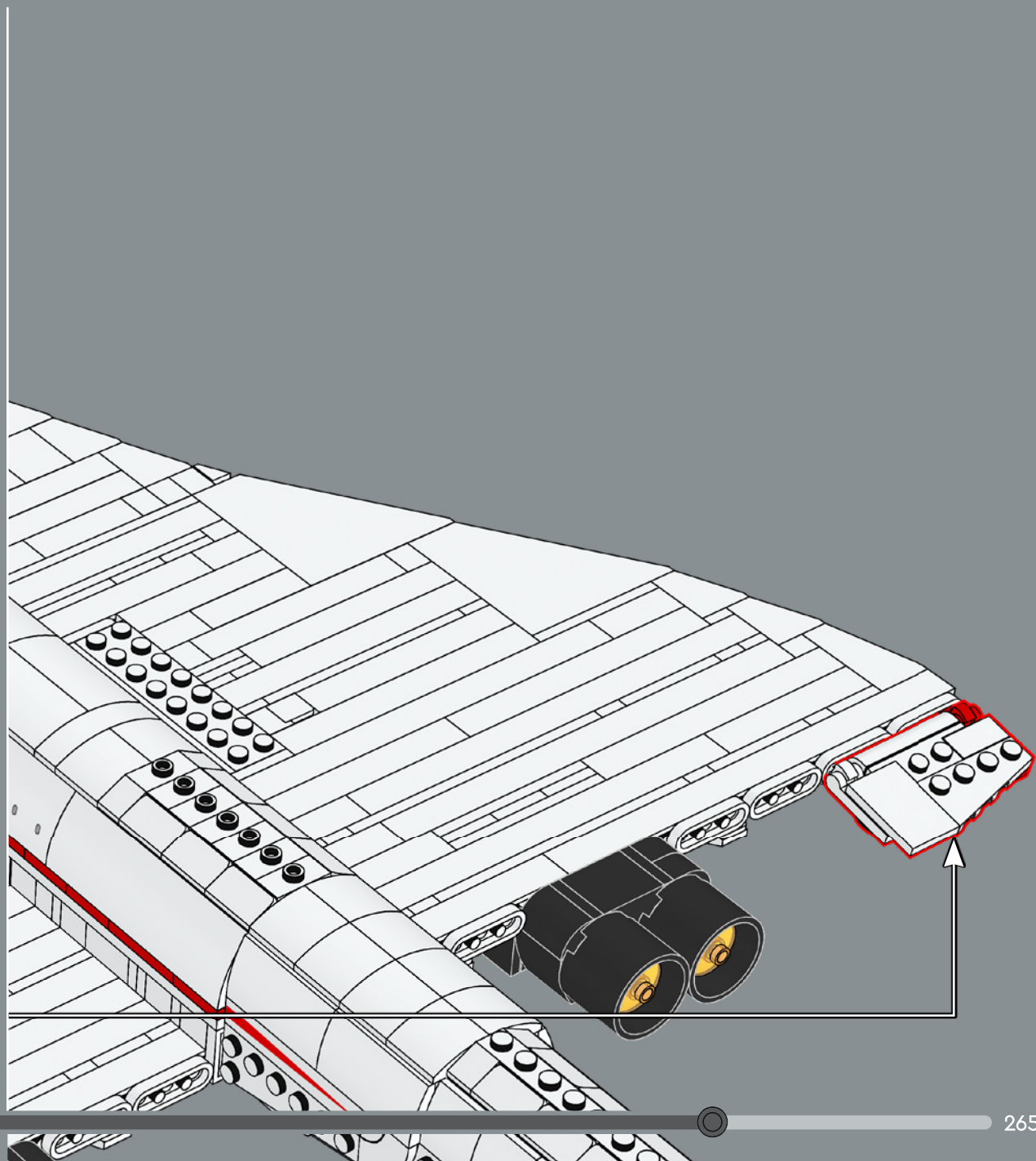
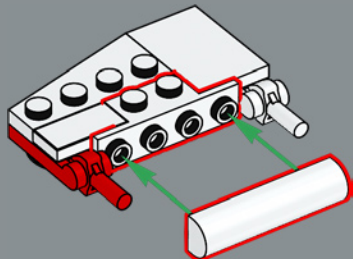
6

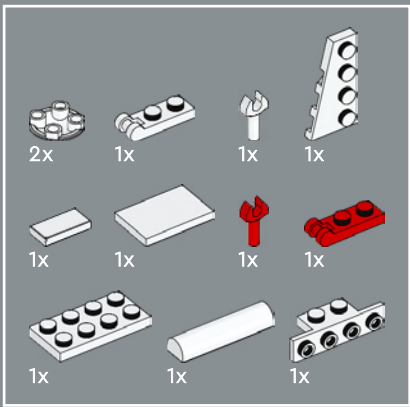


7



8



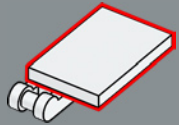


489

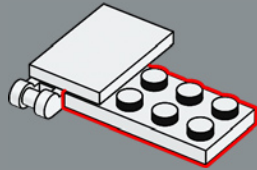
1



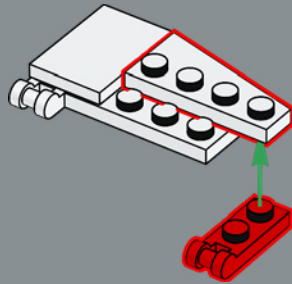
2



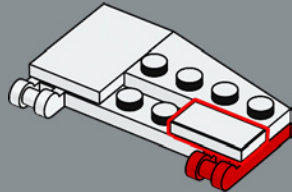
3



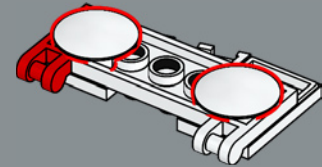
4



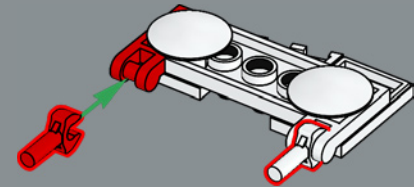
5



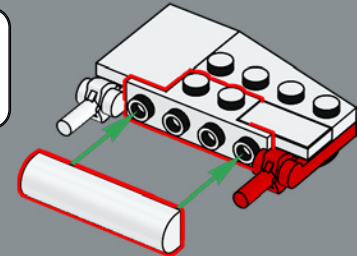
6



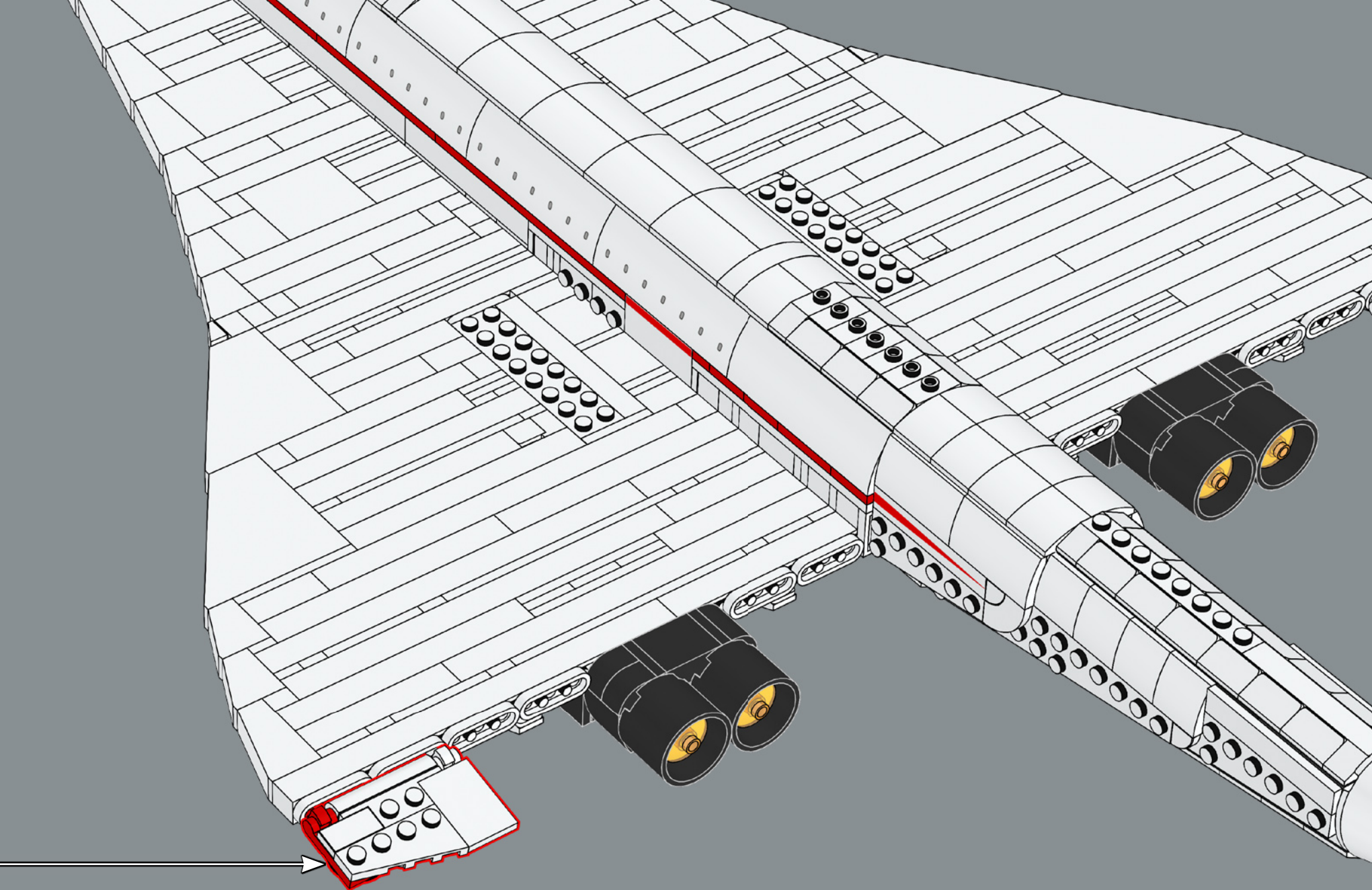
7



8









4x



8x



8x



8x



4x



4x



8x



4x



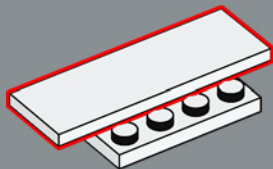
4x

490

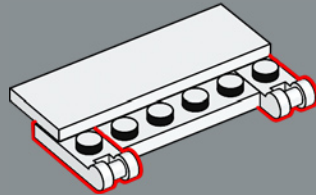
1



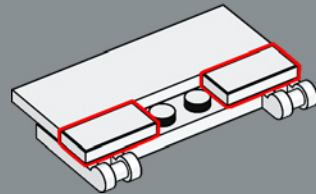
2



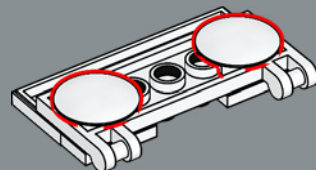
3



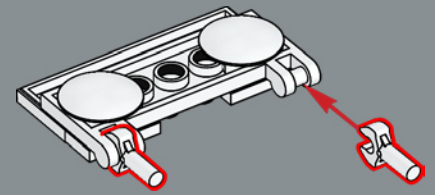
4



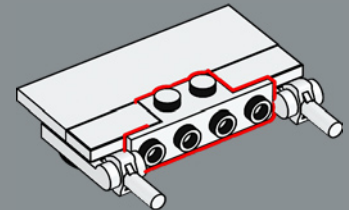
5



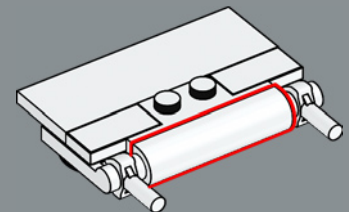
6



7

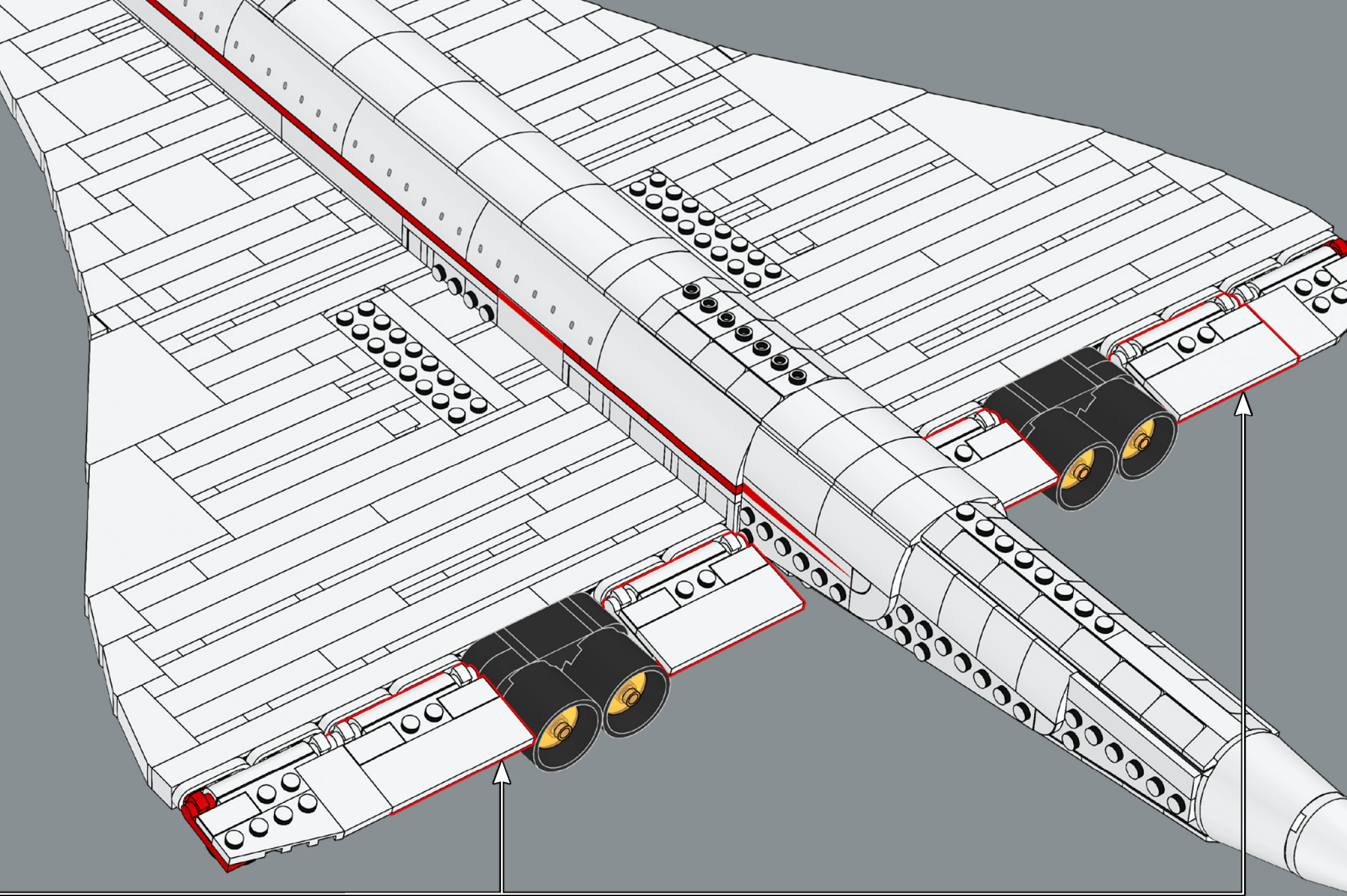


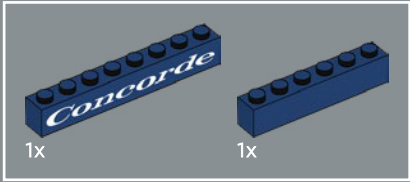
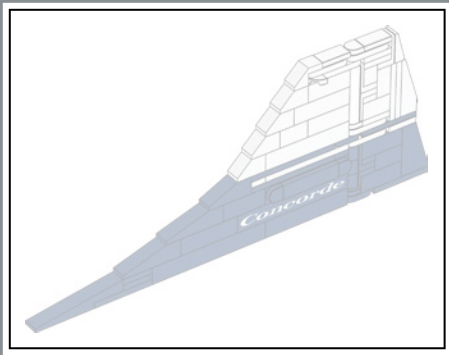
8



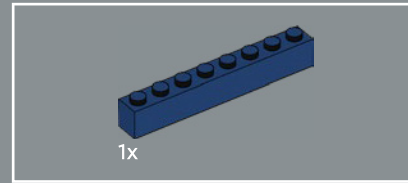
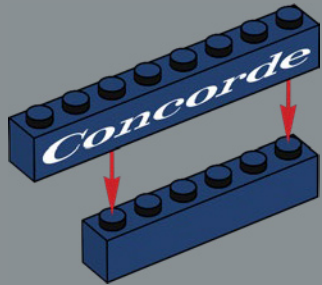
4x



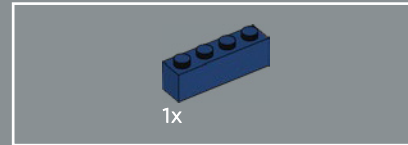
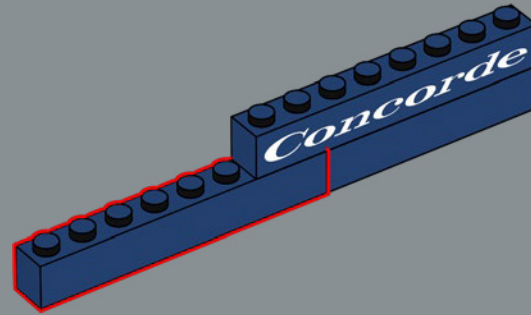




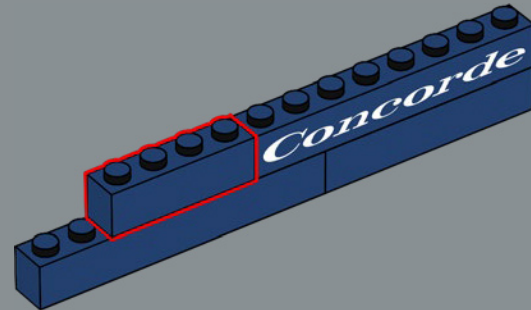
491



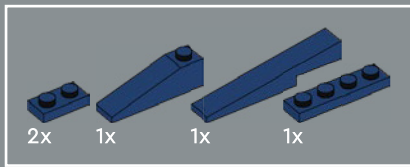
492



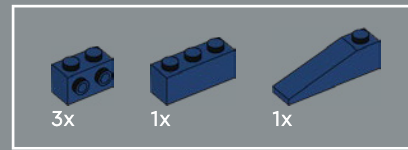
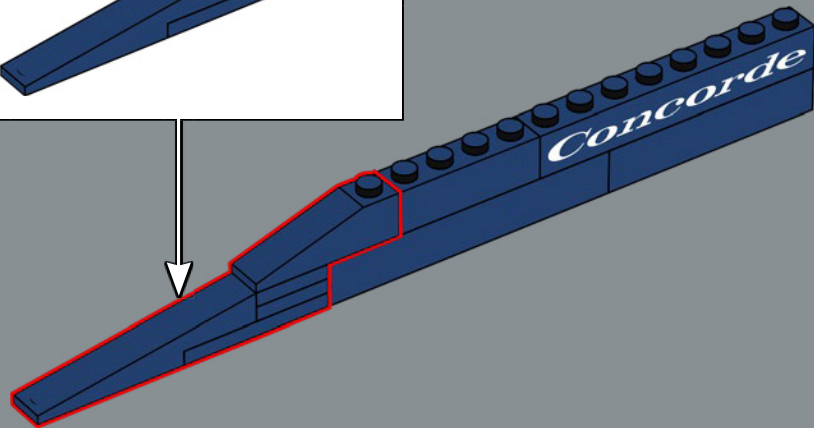
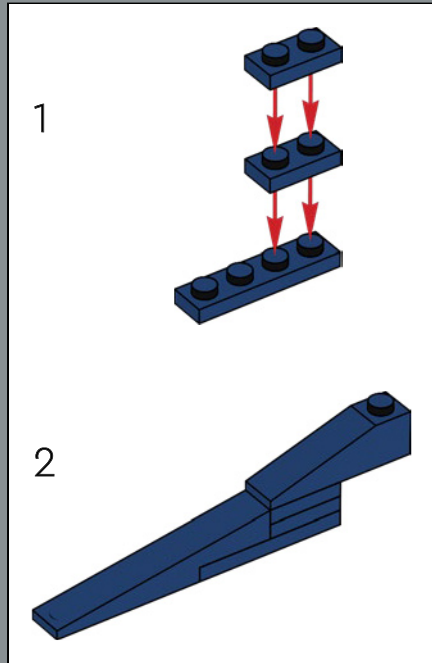
493



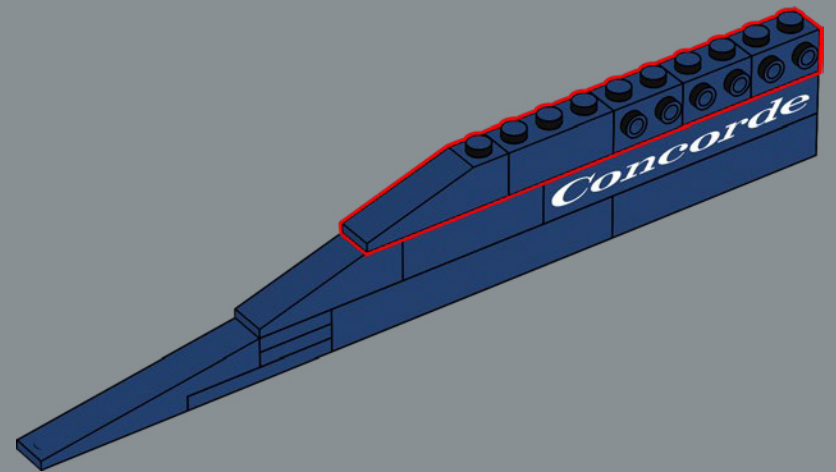


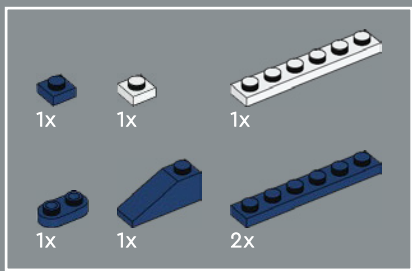


494

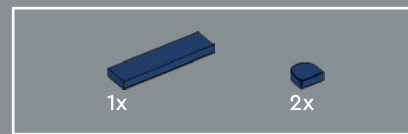
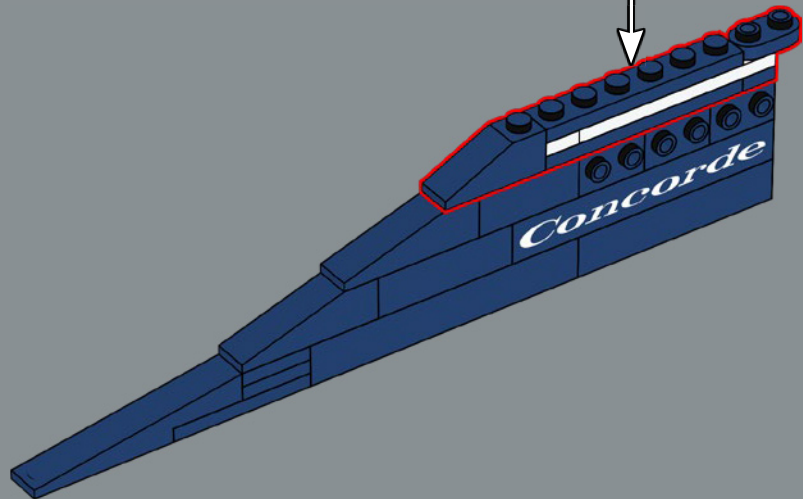
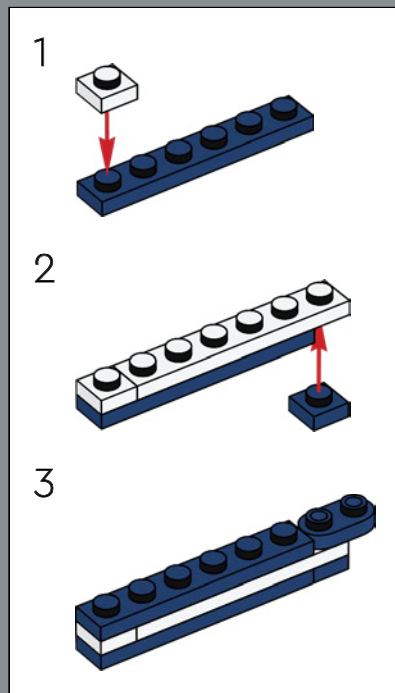


495

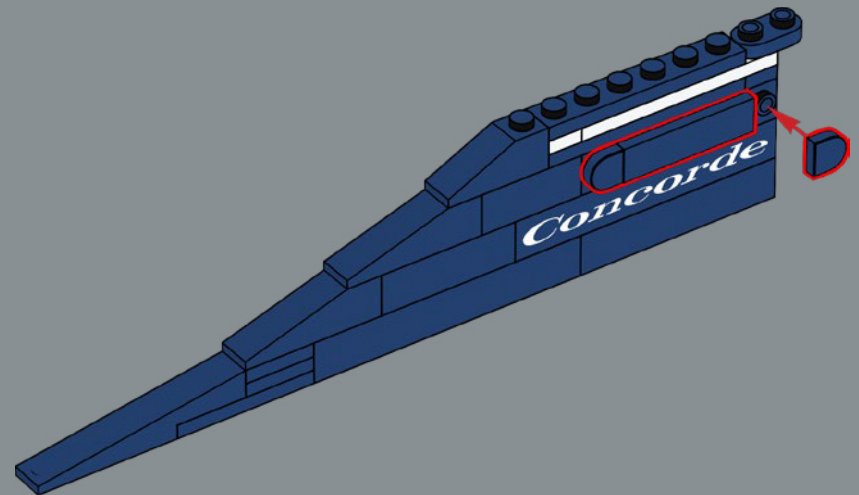


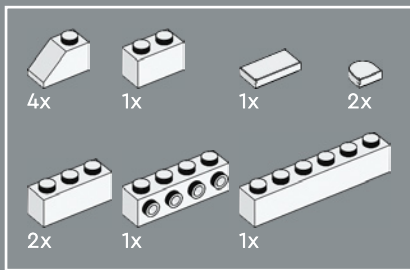


496



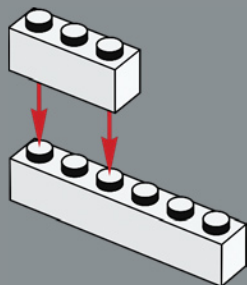
497



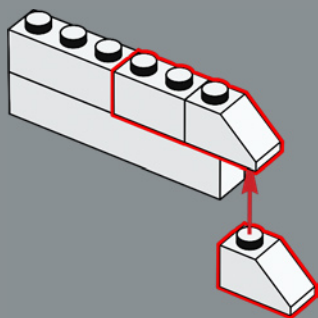


498

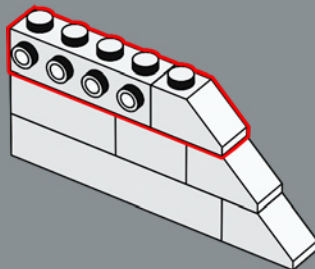
1



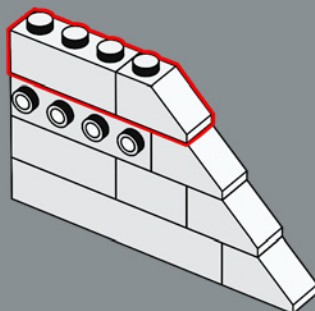
2



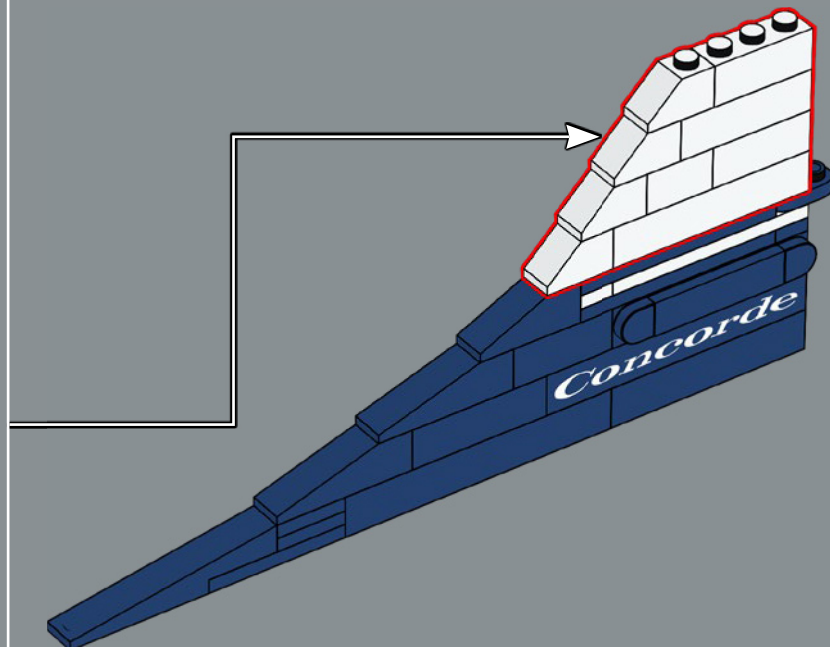
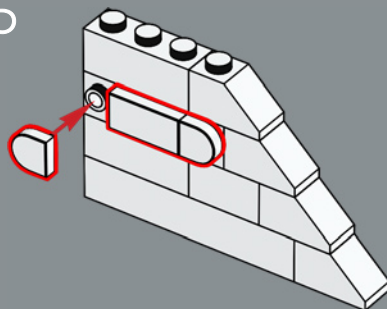
3

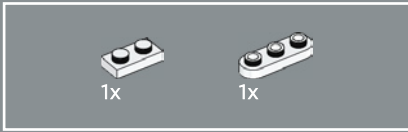
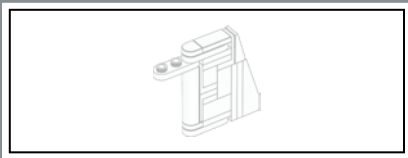


4

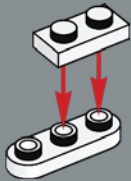


5

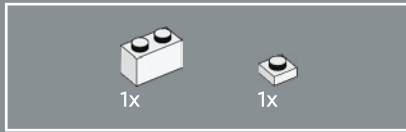




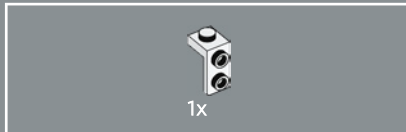
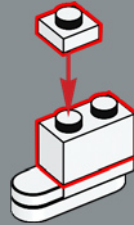
499



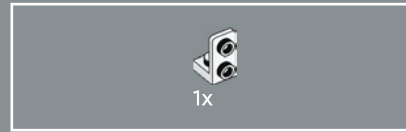
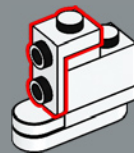
500



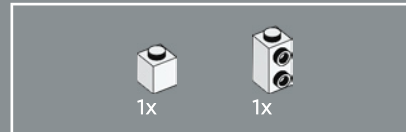
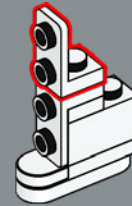
501



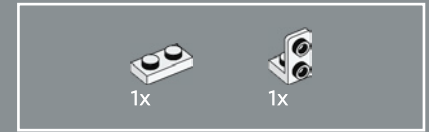
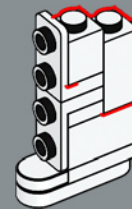
502



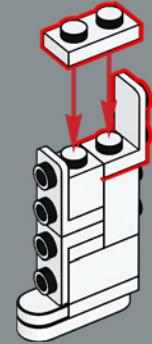
503



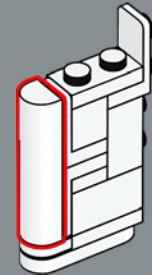
504



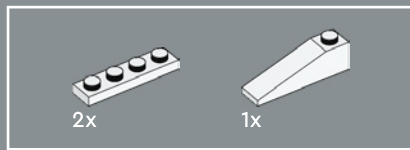
505



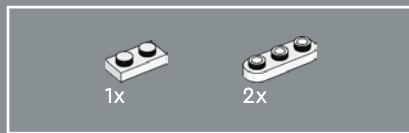
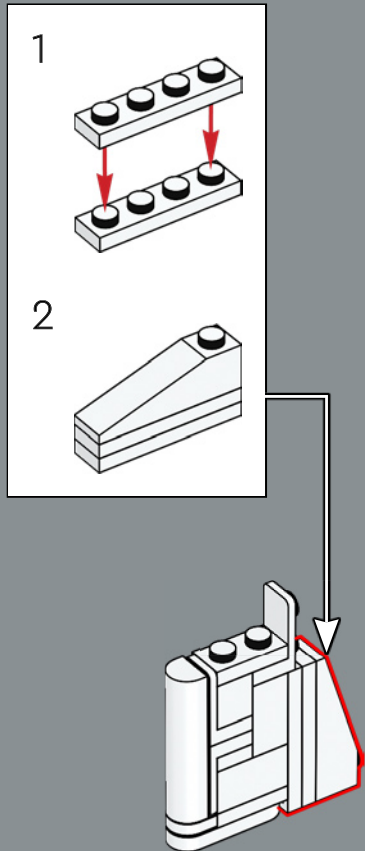
506



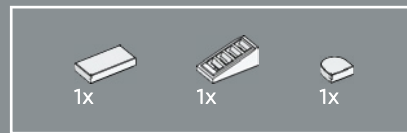
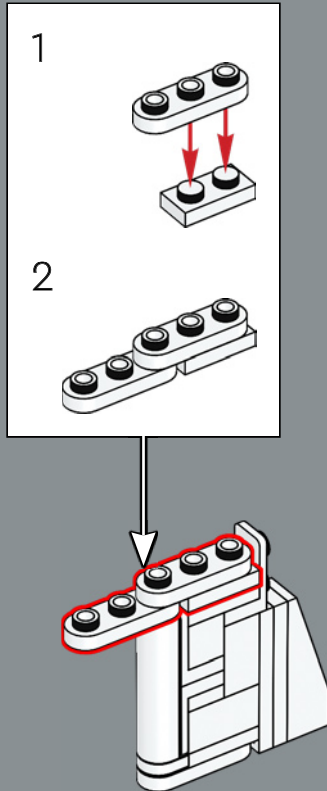




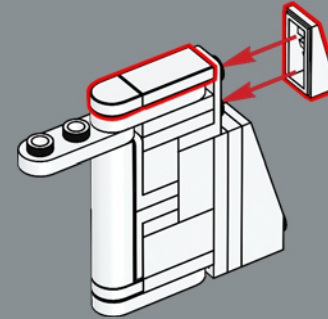
507



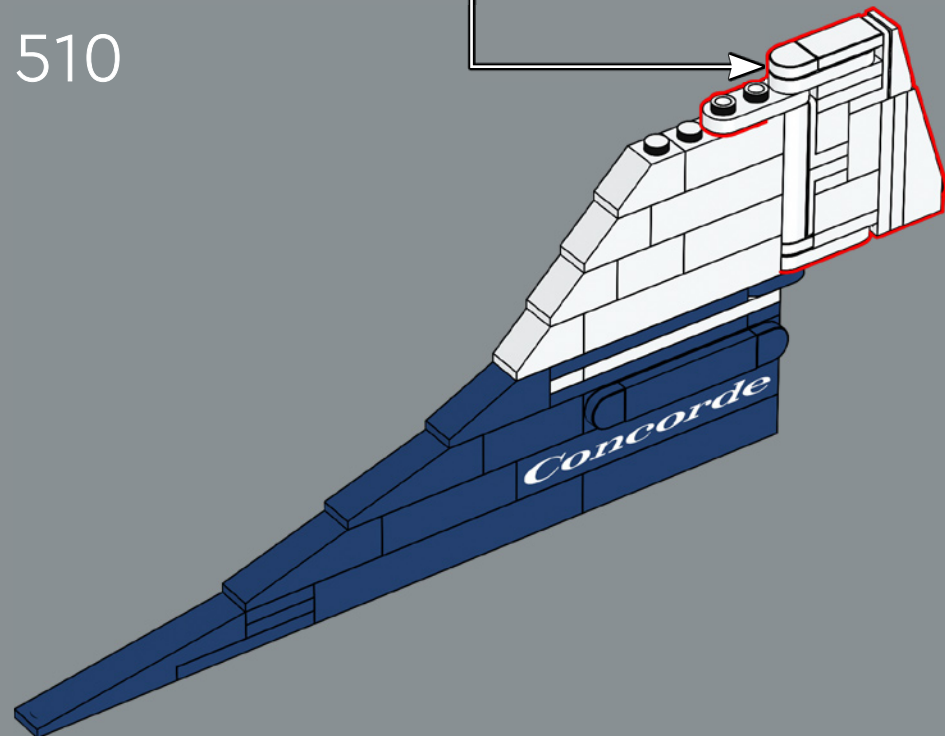
508

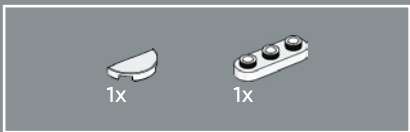


509

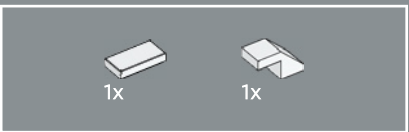
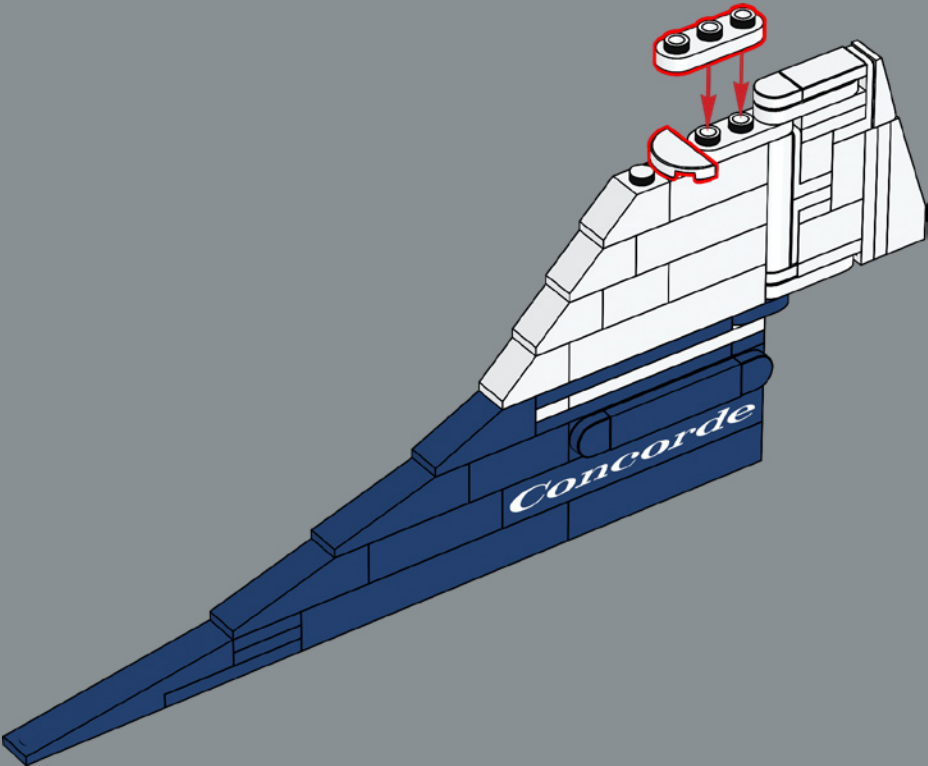


510





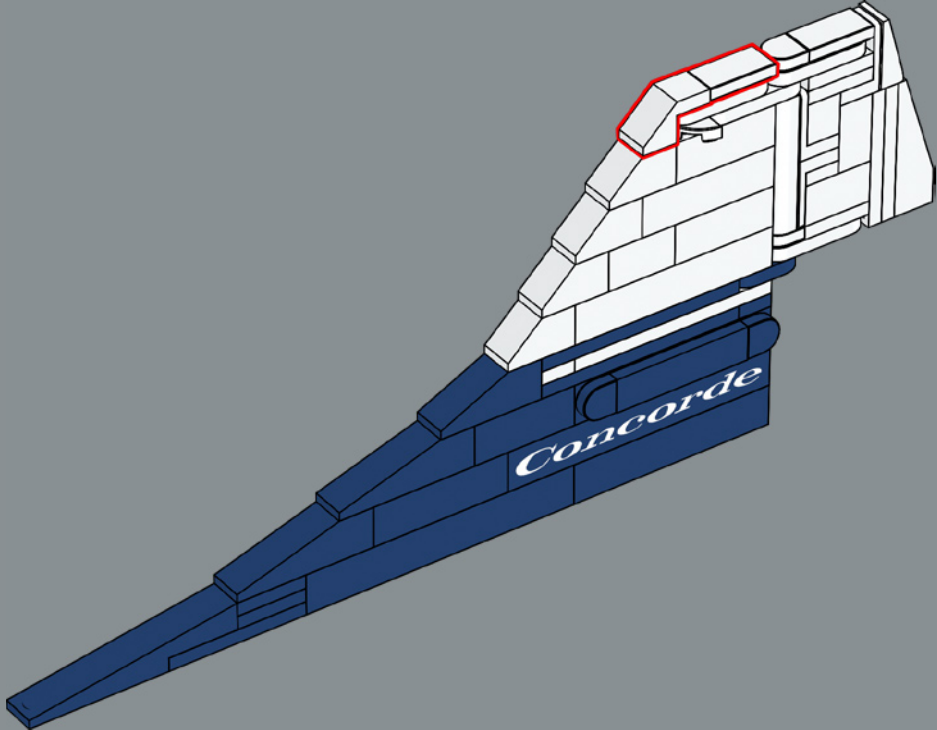
511

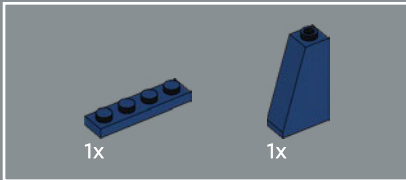
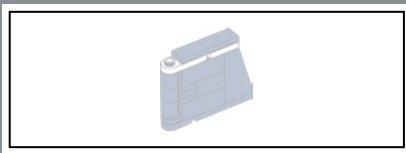


512

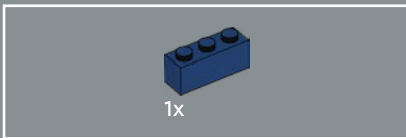
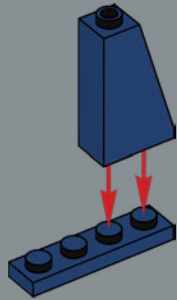


Concorde featured a split rudder, with only the lower portion being used at high speeds to allow for finer adjustment and reduced torsion on the vertical stabiliser.

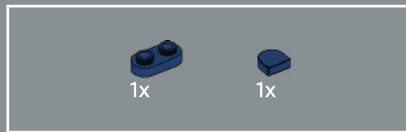
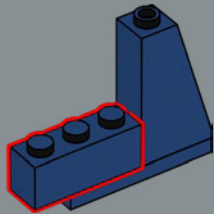




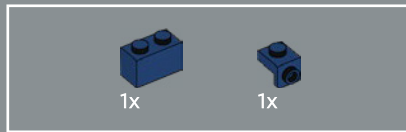
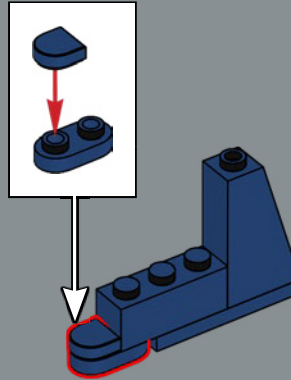
513



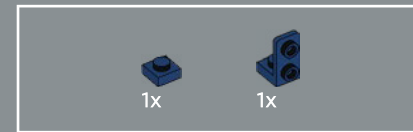
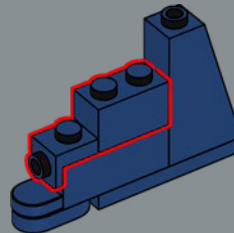
514



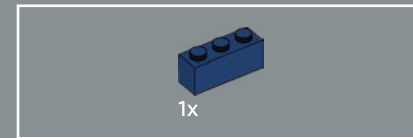
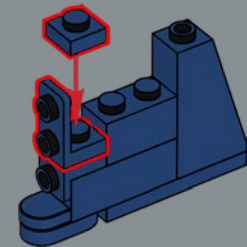
515



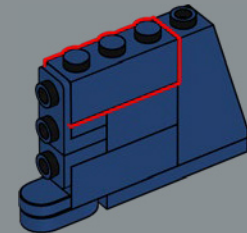
516



517

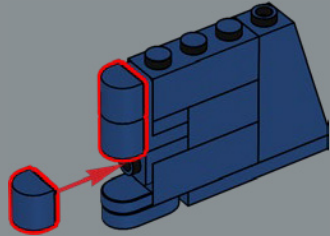


518



3x

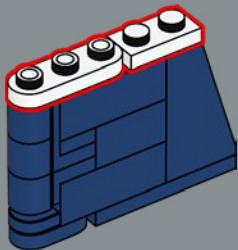
519



1x

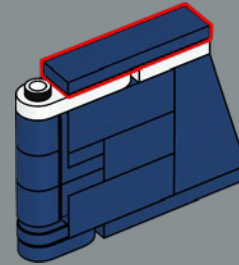
1x

520

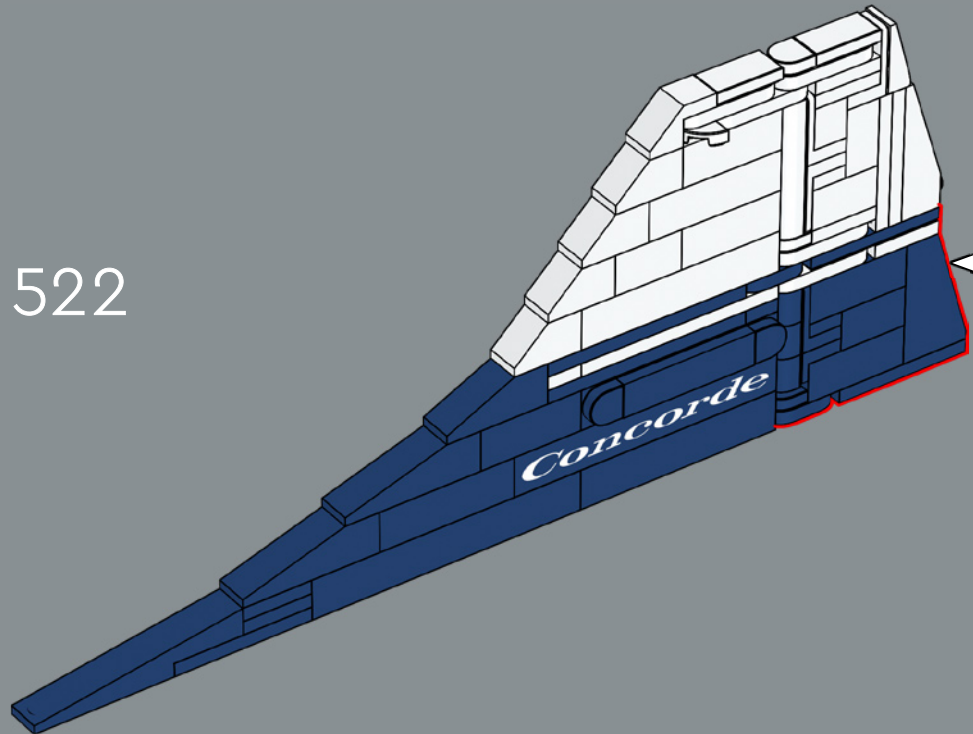


1x

521

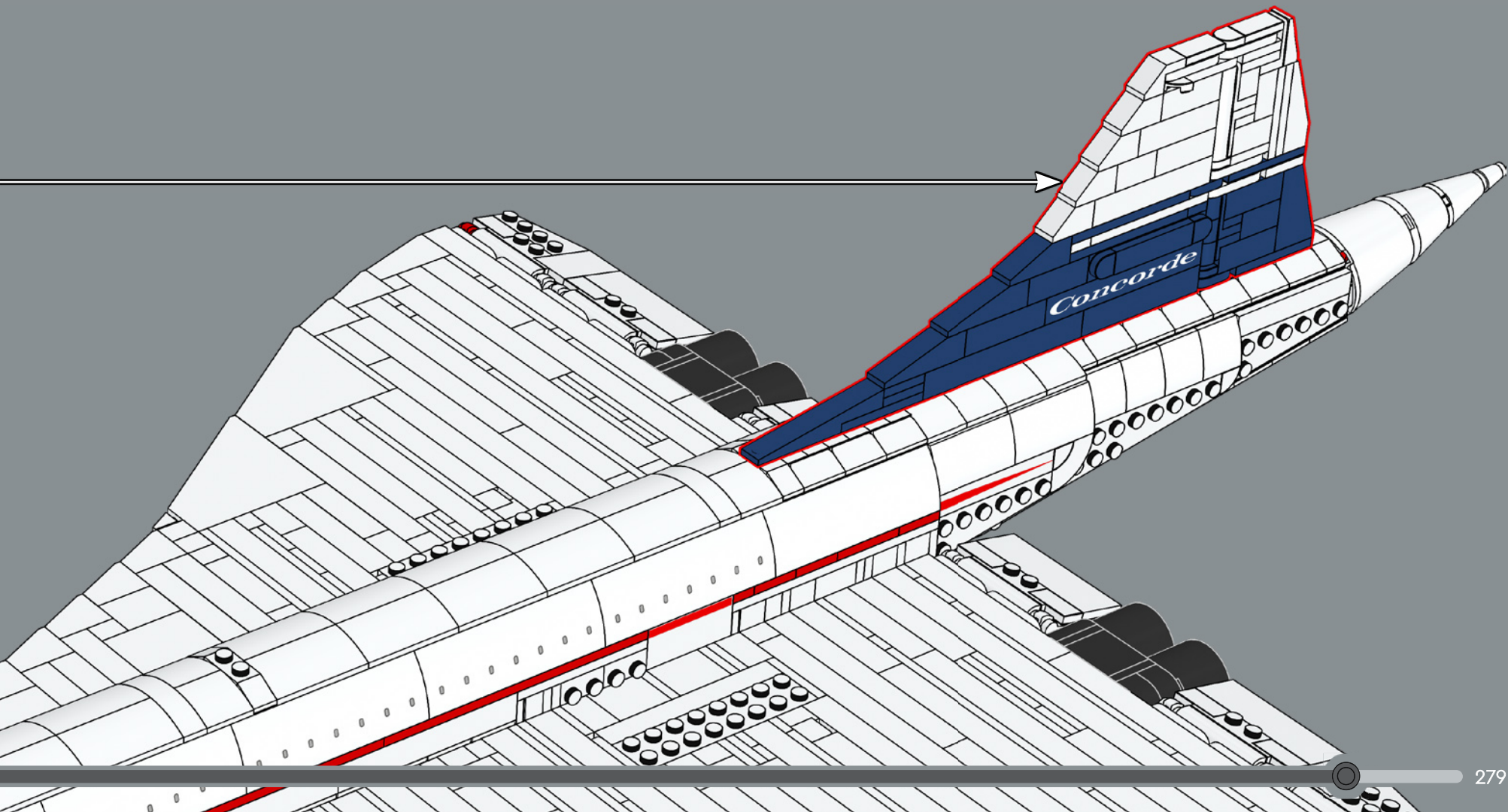


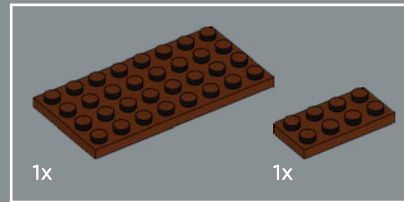
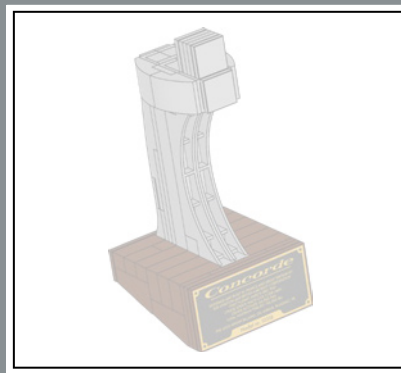
522



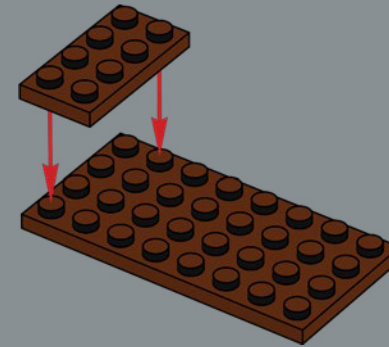


523

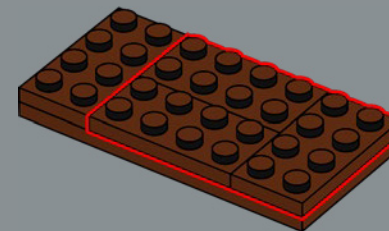


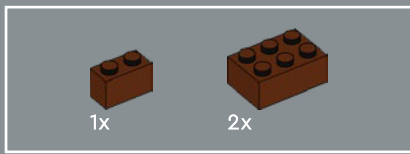


524

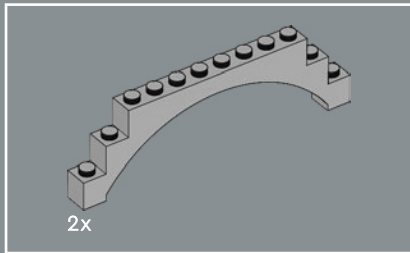
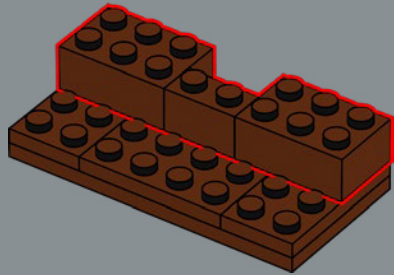


525

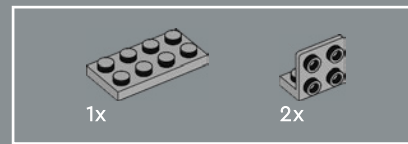
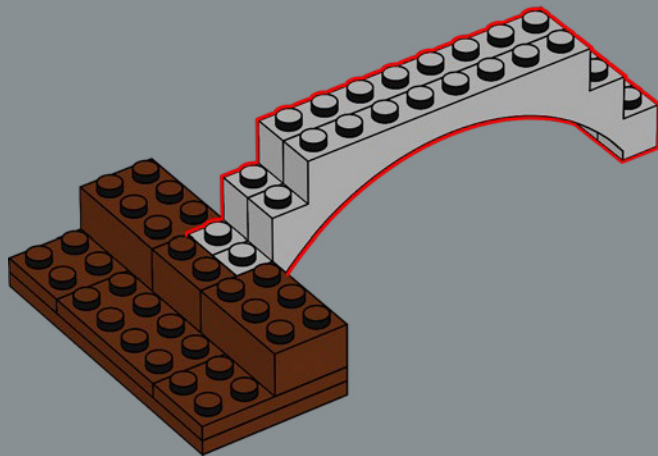




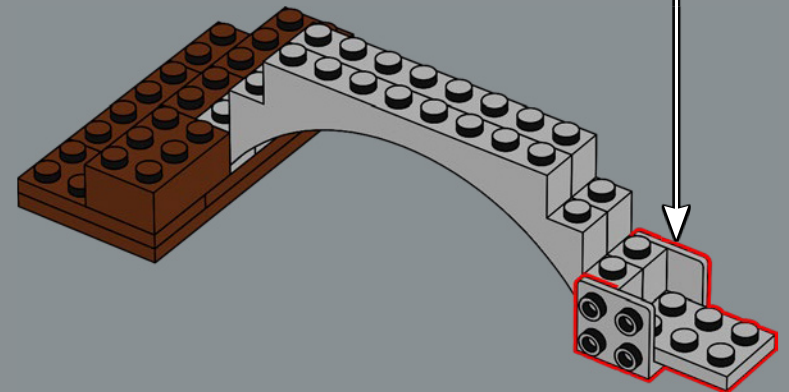
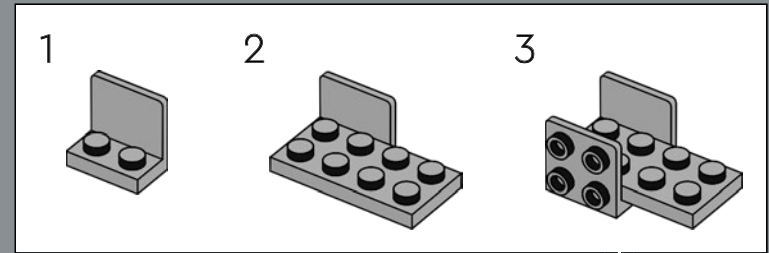
526

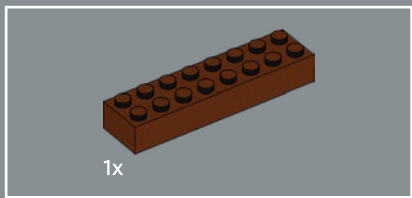


527

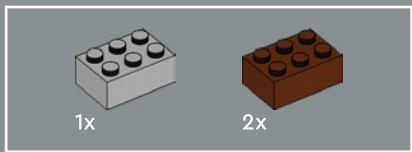
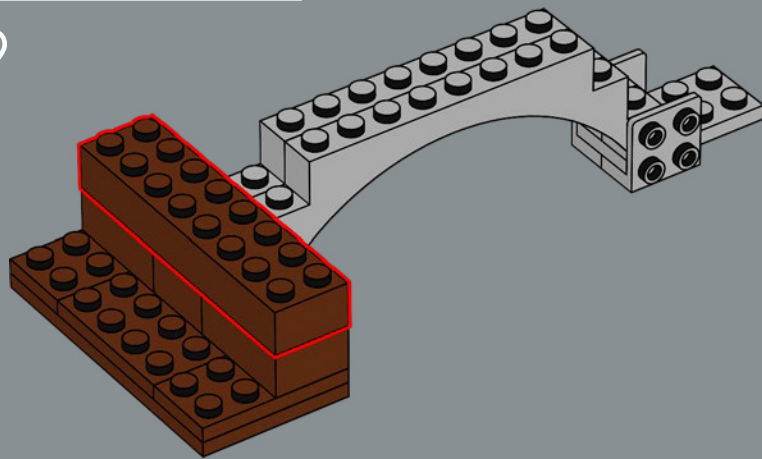


528

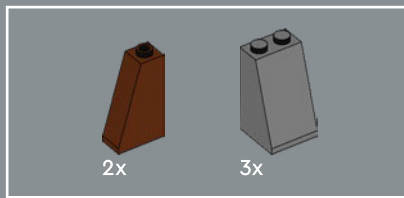
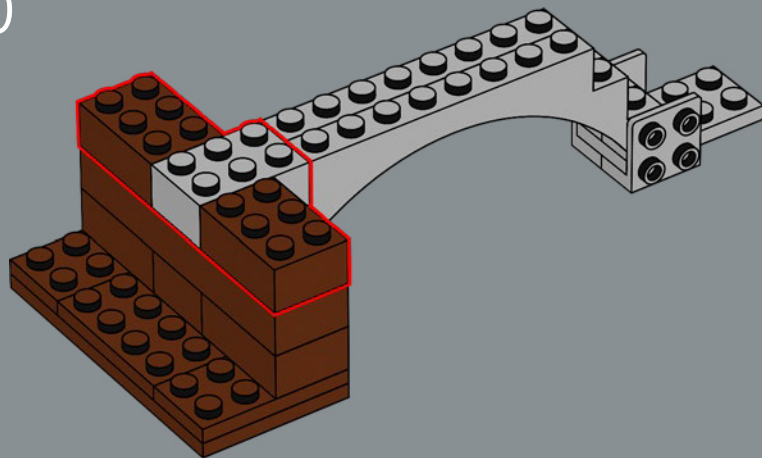




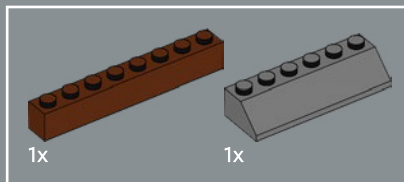
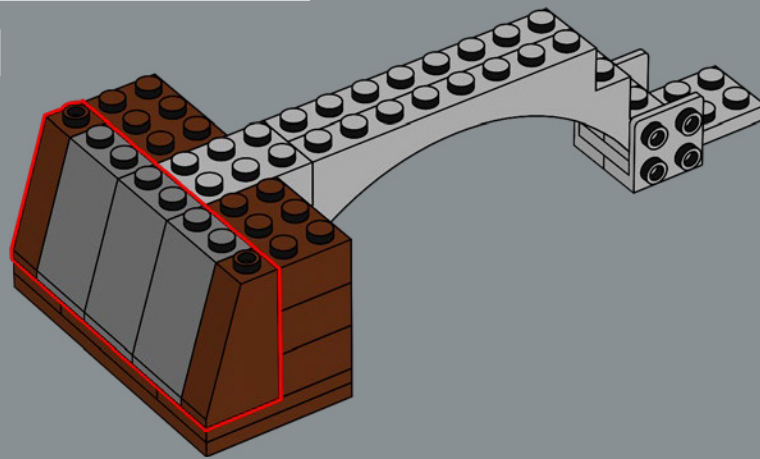
529



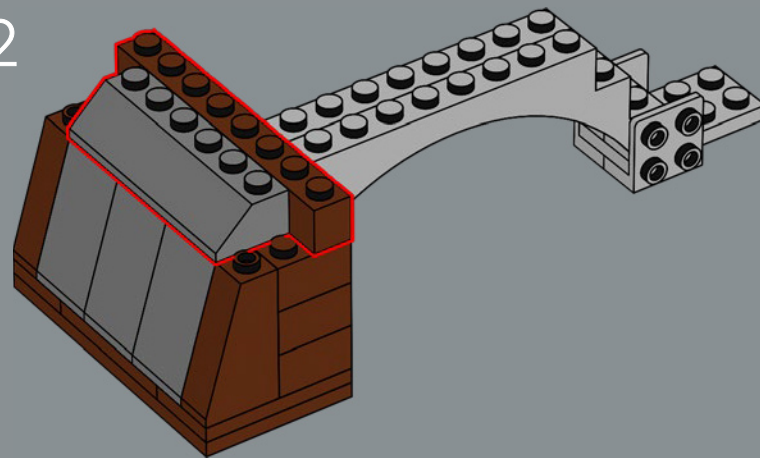
530



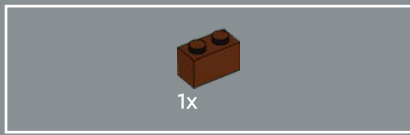
531



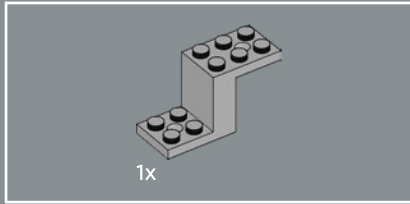
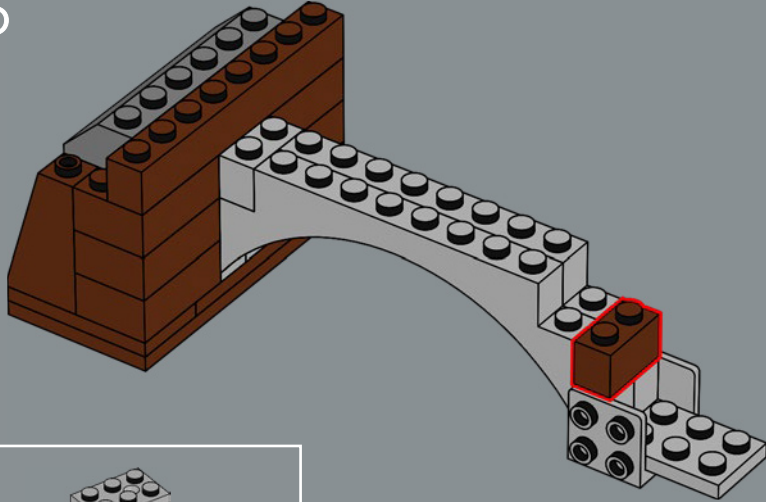
532



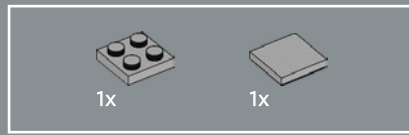
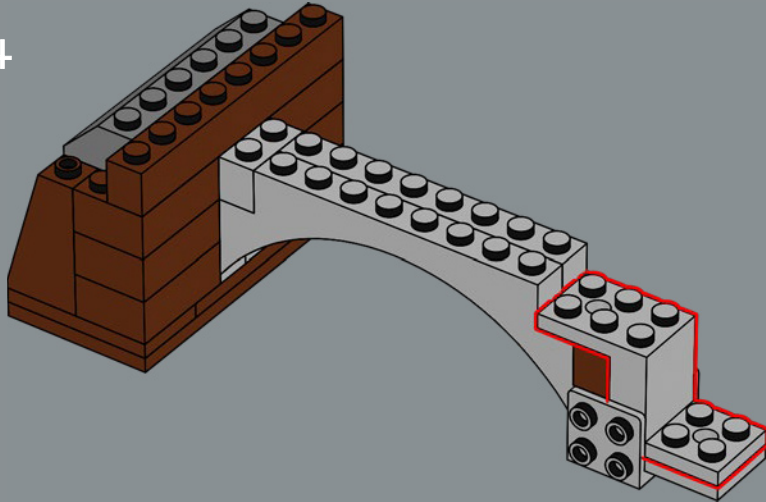




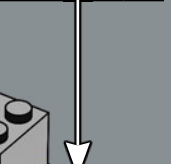
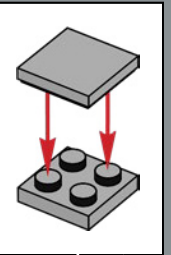
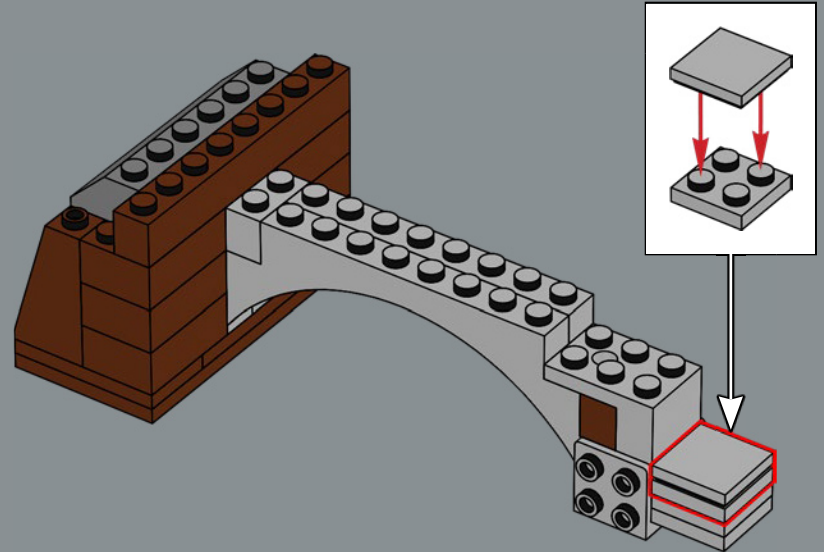
533

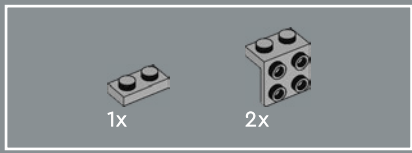


534

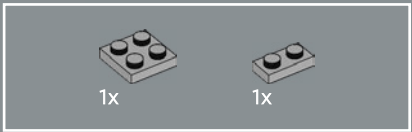
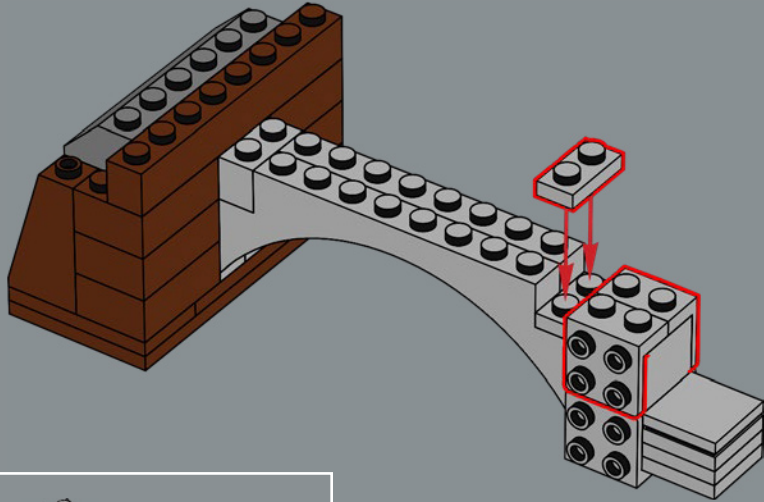


535

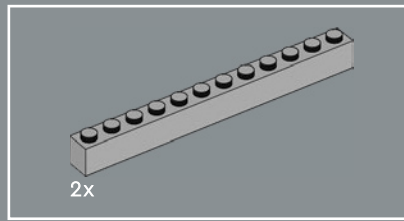
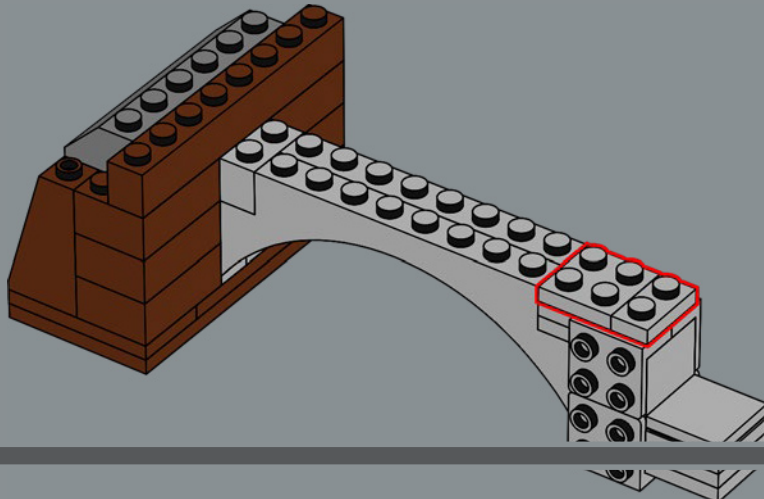




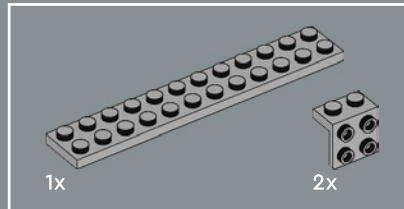
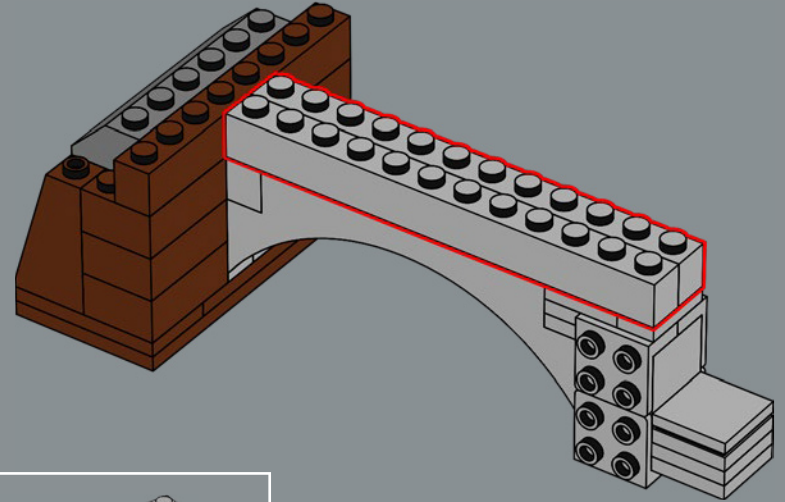
536



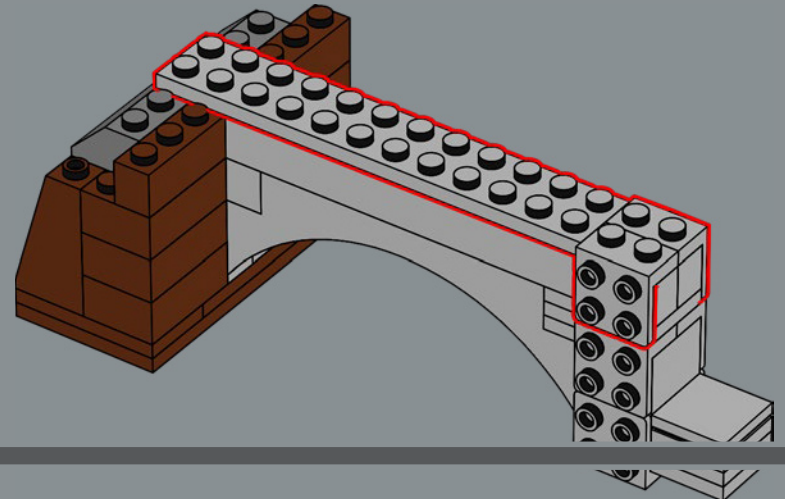
537

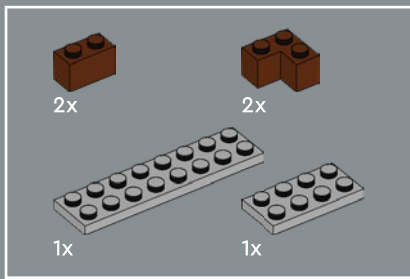


538

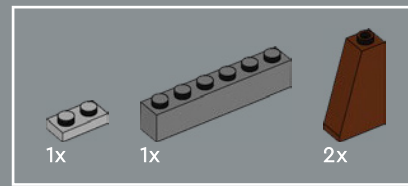
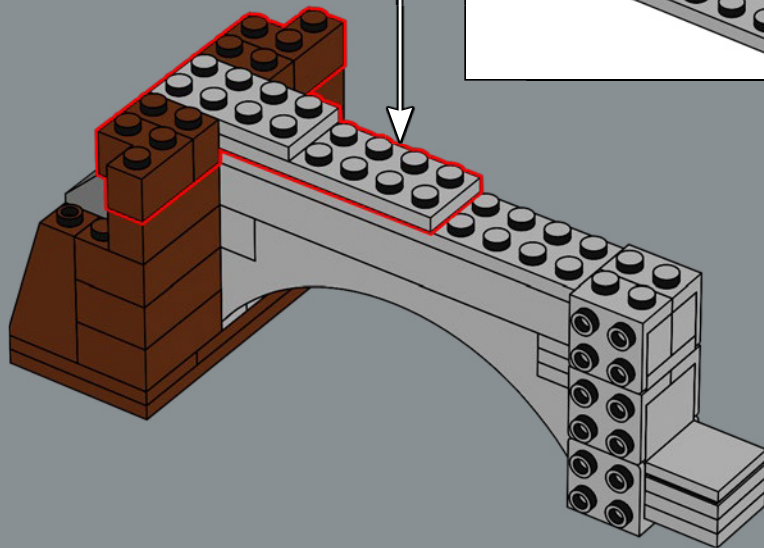
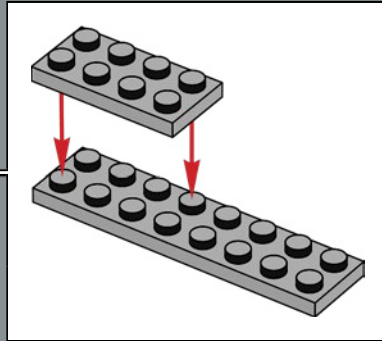


539

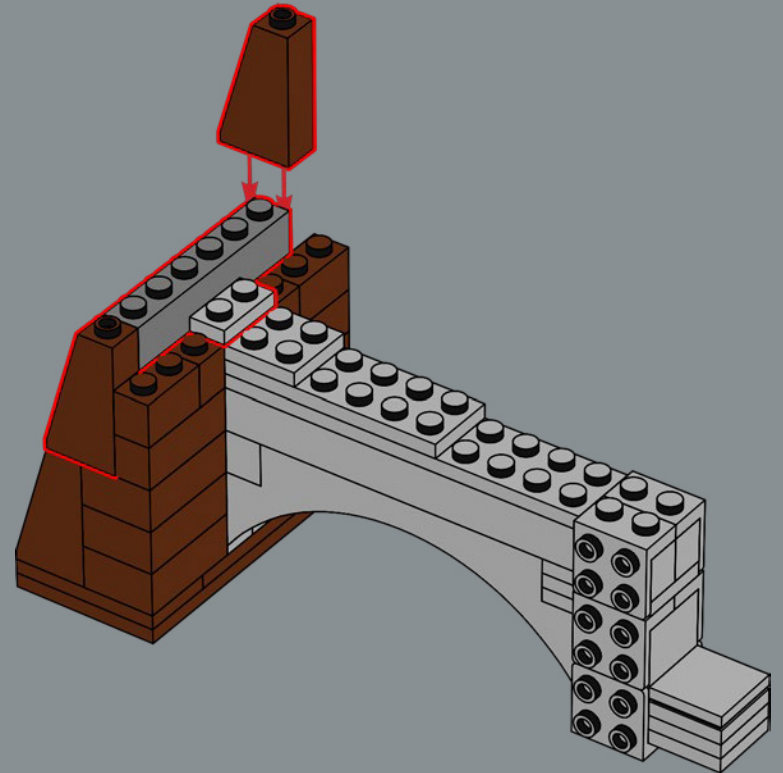


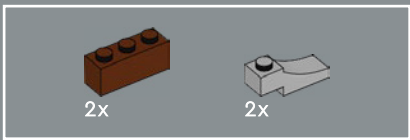


540

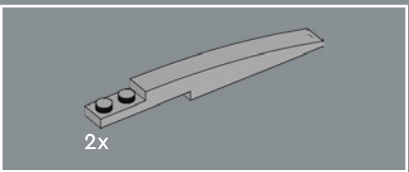
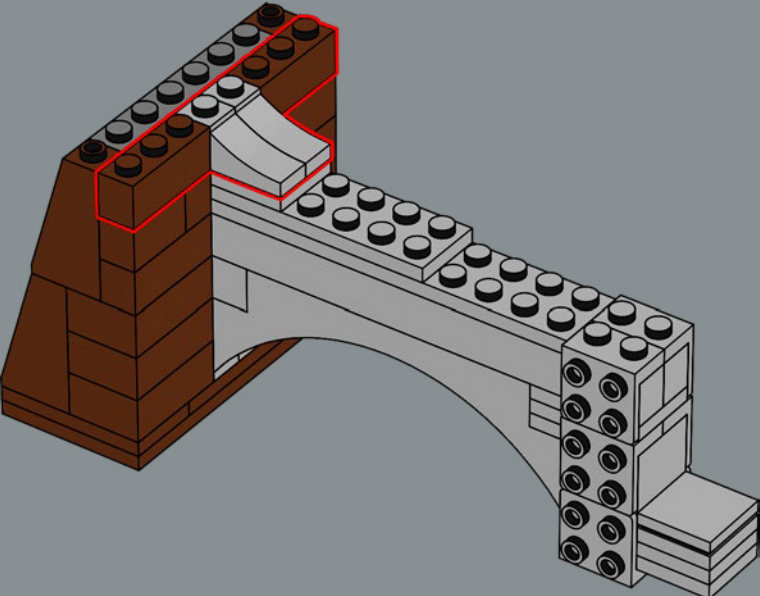


541

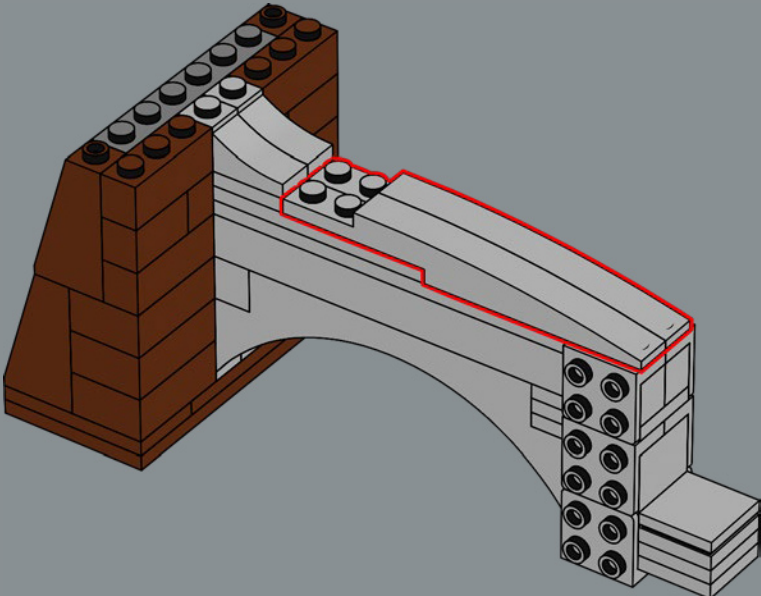




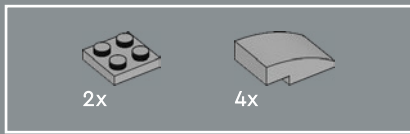
542



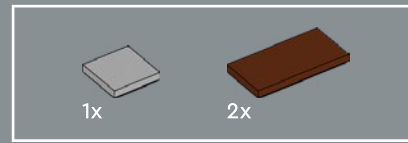
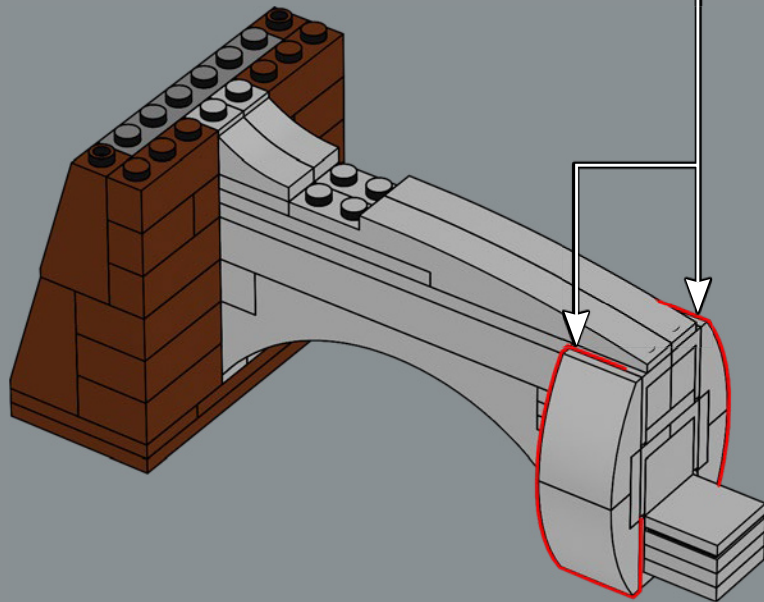
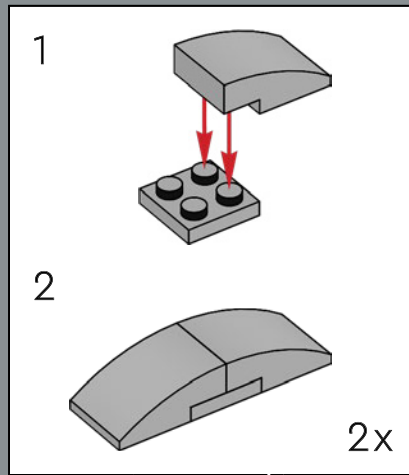
543



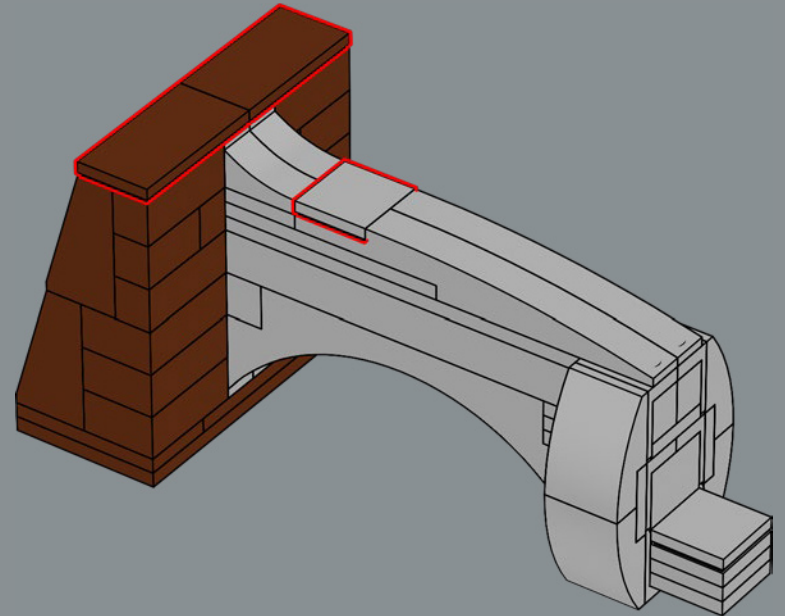


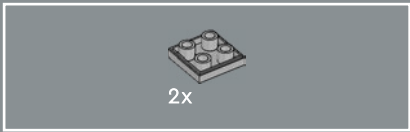


544

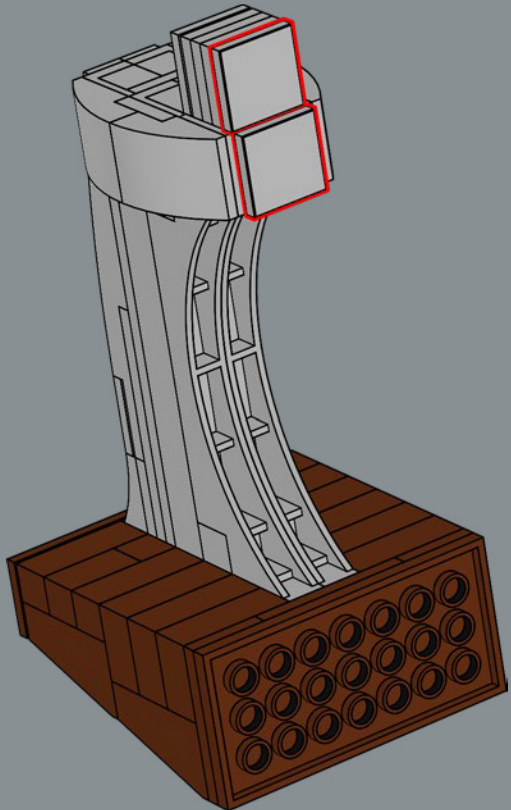


545

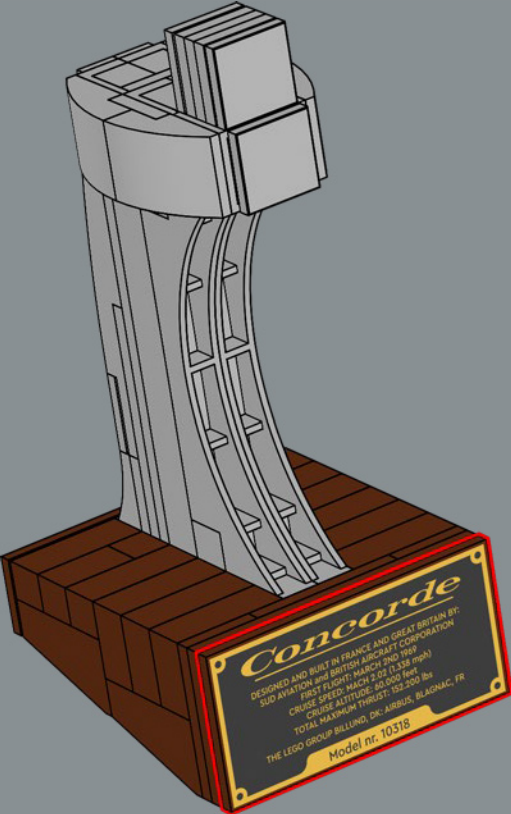


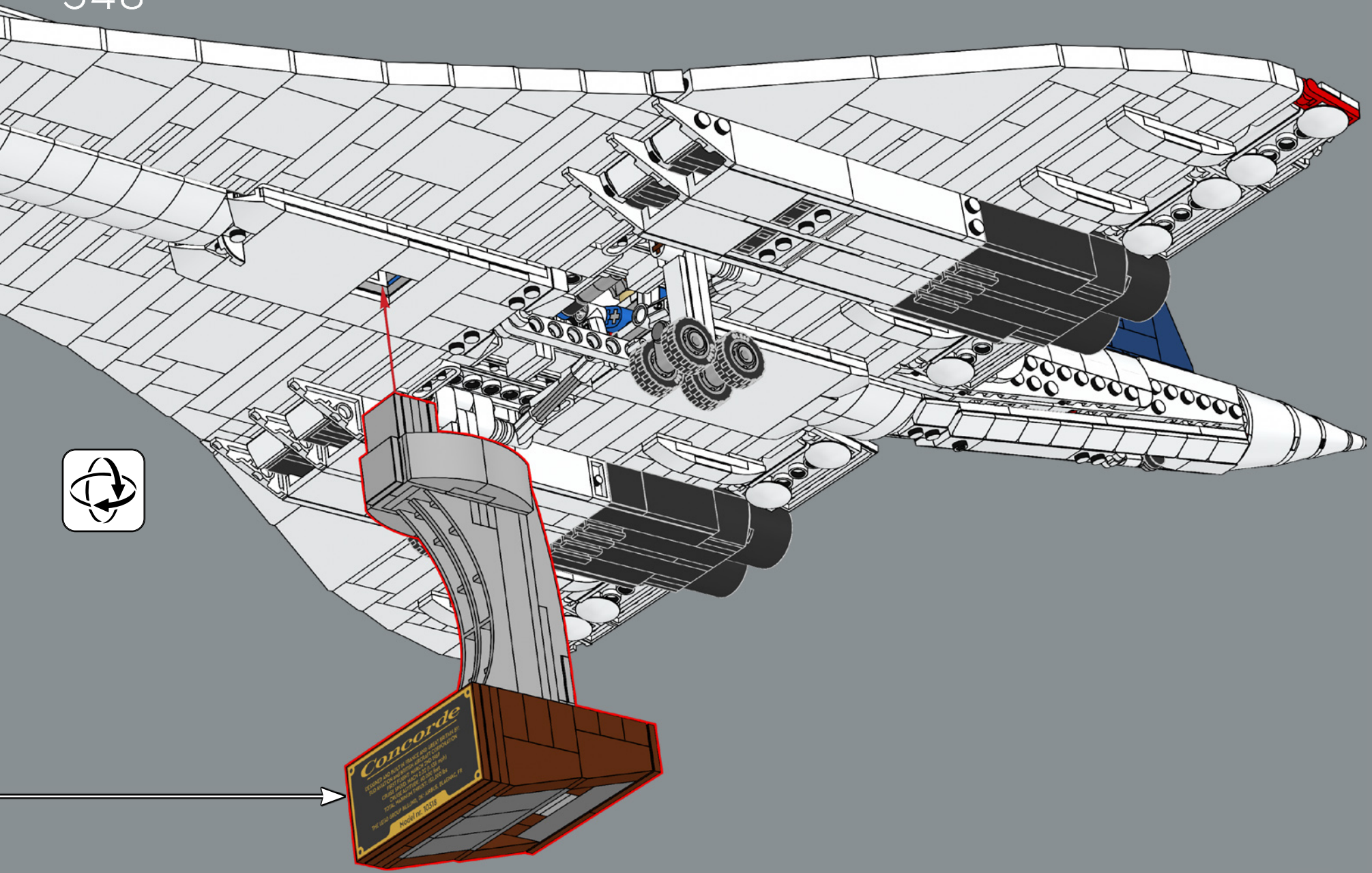


546



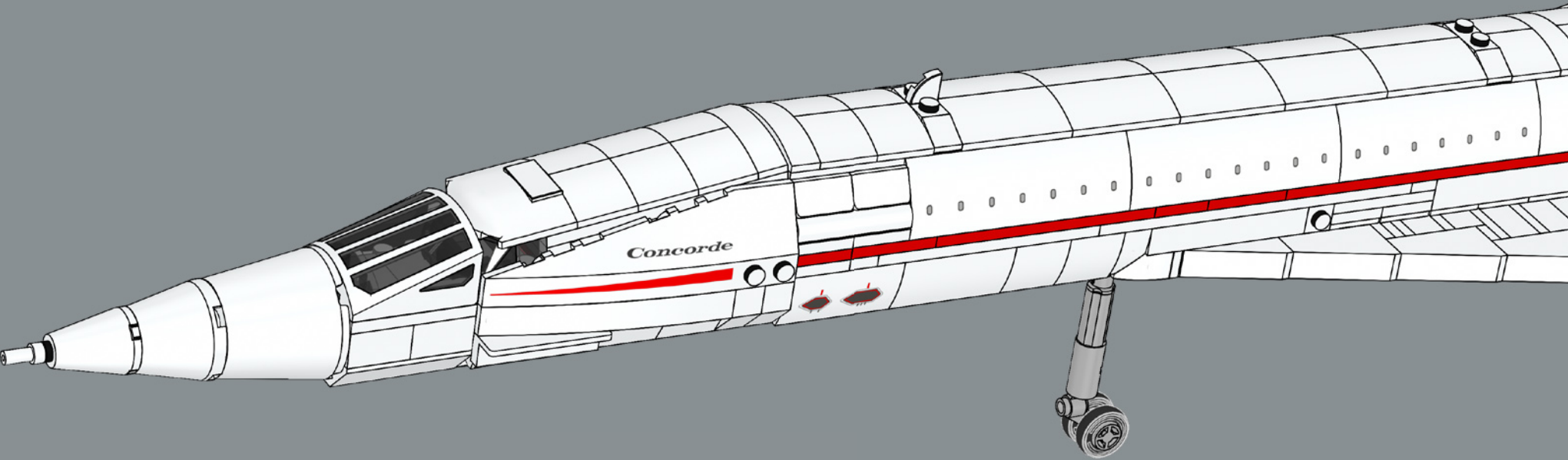
547



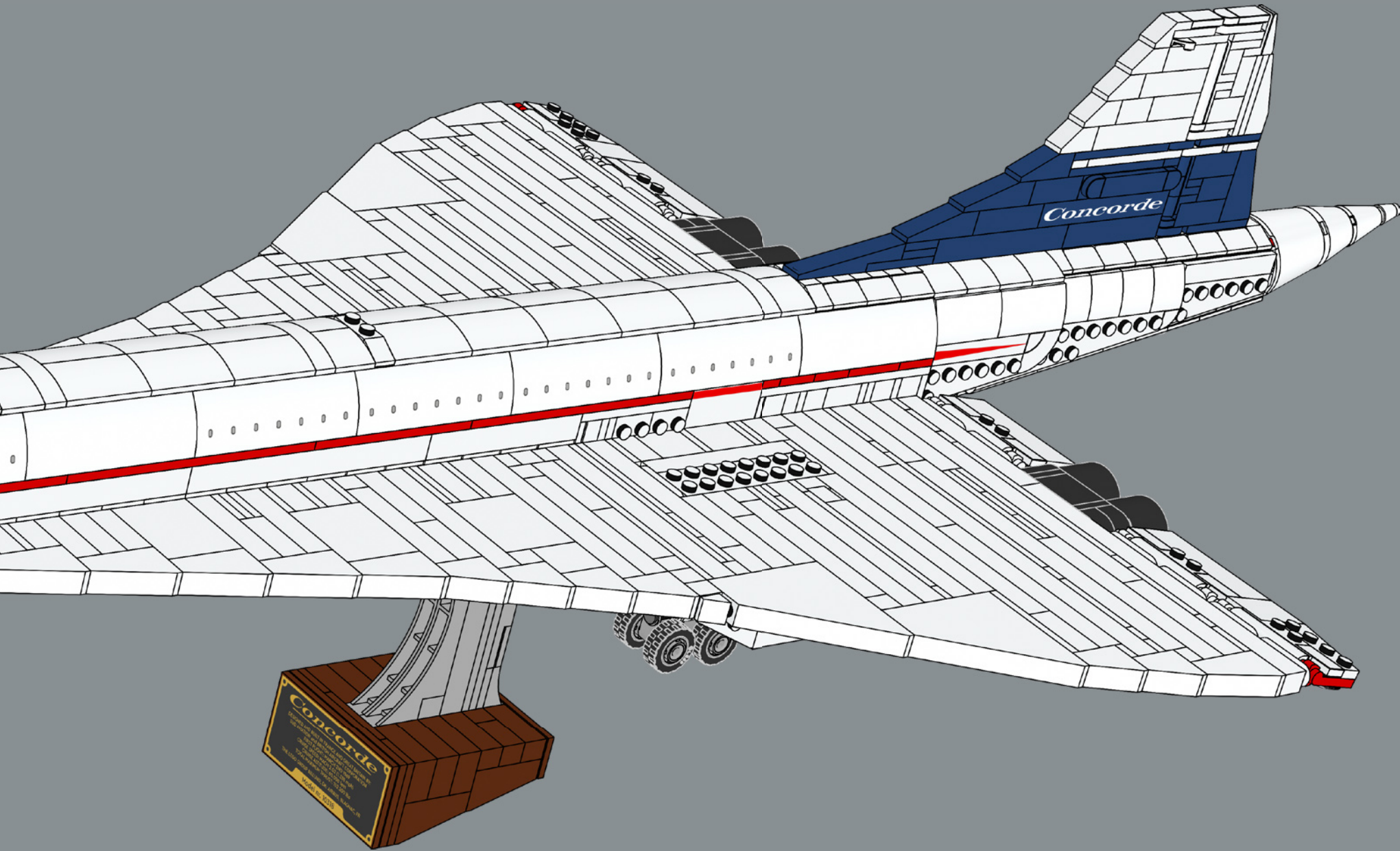


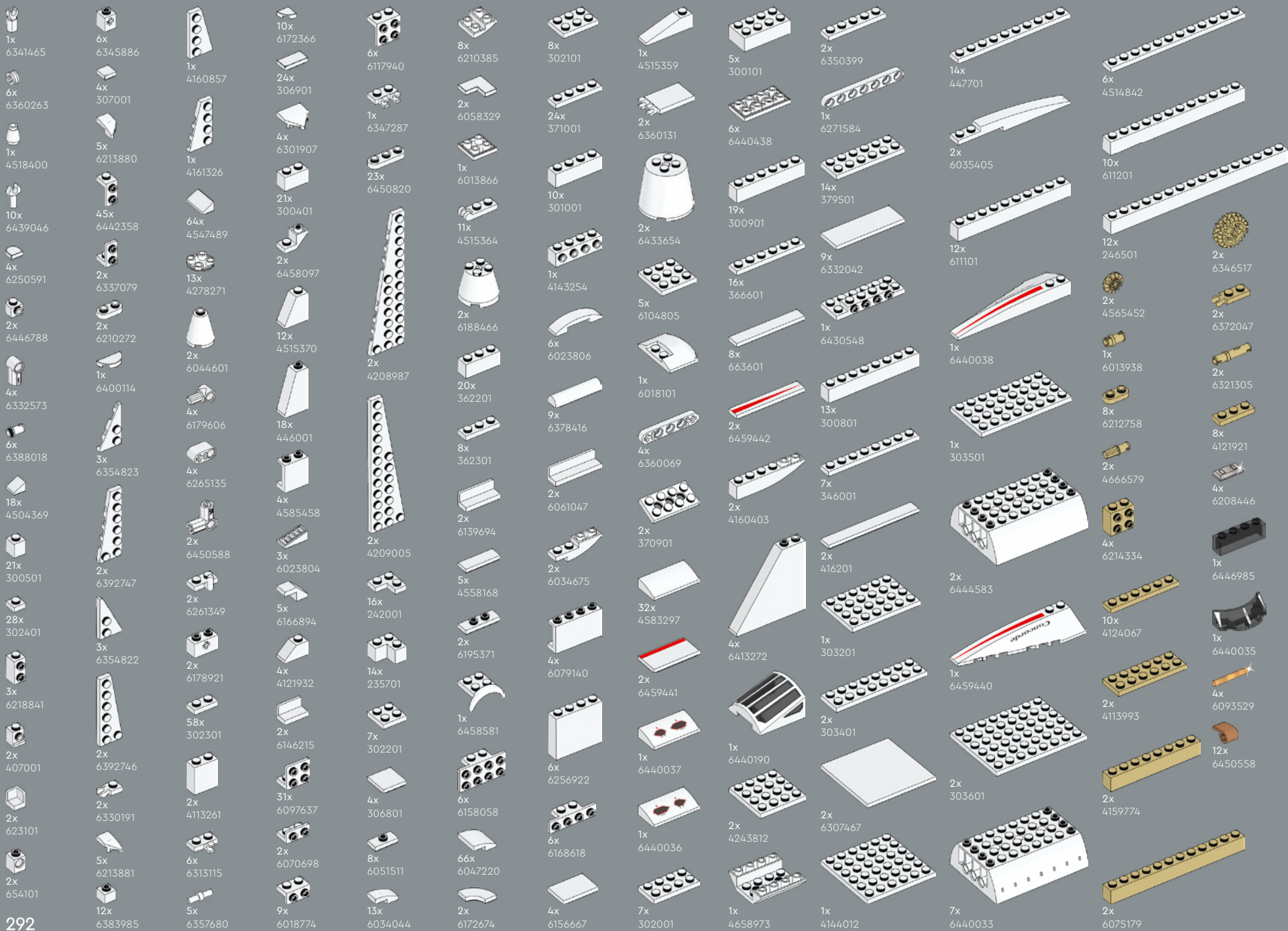


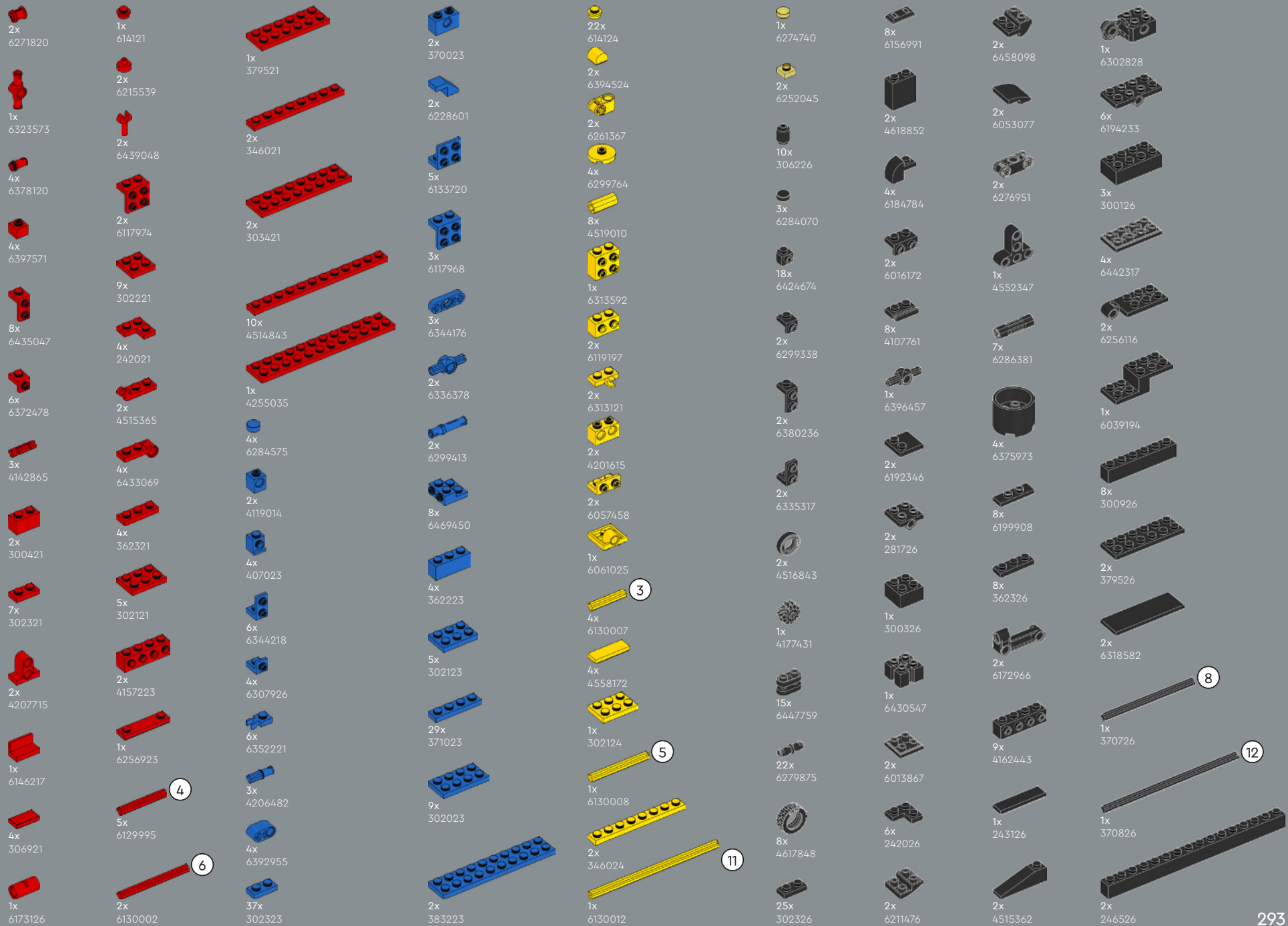
A partnership between Britain and France that produced one of the most remarkable aircraft in aviation history, "Concorde" means "agreement or harmony between people" in both English and French.



















# YOU COULD WIN



## YOU COULD WIN

Your feedback will help shape the future development of this product series.

Visit:

## DU KÖNNTEST GEWINNEN

Dein Feedback trägt zur Weiterentwicklung dieser Produktreihe bei.

Geh auf:

## VOUS POURRIEZ GAGNER

Vos commentaires nous aideront à concevoir les futurs produits de cette gamme.

Visitez :

## POTRESTI VINCERE TU

La tua opinione ci aiuterà a migliorare la creazione futura di questa linea di prodotti.

Visita:

## PUEDES GANAR

Tu opinión contribuirá al futuro de esta serie de productos.

Visita:

## 轻松获奖

您的反馈将有助于我们在今后改进本产品系列。

请访问:

---

**[LEGO.com/productfeedback](https://www.lego.com/productfeedback)**

---

You also have the chance to win a LEGO® set.

Terms and conditions apply.\*

Außerdem hast du die Chance, ein LEGO® Set zu gewinnen.

Es gelten die Teilnahmebedingungen.\*

Vous pourriez également gagner un ensemble LEGO®.

Des conditions s'appliquent.\*

Hai anche la possibilità di vincere un set LEGO®.

Termini e condizioni sono applicabili.\*

También tienes la oportunidad de ganar un set LEGO®.

Aplican términos y condiciones.\*

您还有机会赢取乐高®套装。

条款和条件适用。\*

\*[LEGO.com/productfeedback-terms](https://www.lego.com/productfeedback-terms)



LEGO and the LEGO logo are trademarks of the LEGO Group. ©2023 The LEGO Group. 6499554  
AIRBUS and Concorde are registered trademark of Airbus. It may not be used without Airbus' prior written consent. All rights reserved.